



100% Canadian Owned 100% Canadian Made



a trusted brand
for over
50 years



Novanni Stainless Inc.
www.novanni.ca
WESC-0211E

1-2200 Speers Road
Oakville, ON L6L 2X8
Tel: 905-465-9858
TF: 1-800-661-1795
Fax: 905-465-9865
TFF: 1-800-361-2176

the stainless choice

Wessan is a 100% owned and operated Canadian brand, manufactured in Coldwater Ontario by Novanni Stainless Inc. Wessan cares about the community and is committed to be environmentally conscious. Our kitchen sinks are made from 90% recycled stainless steel and at the end of their life are 100% recyclable. At our plant we operate an extensive recycling program and recently received the CIPEC Leader Award from Natural Resources Canada for our commitment to the environment.



WESSAN - 100% CANADIAN OWNED

WESSAN - 100% CANADIAN MADE

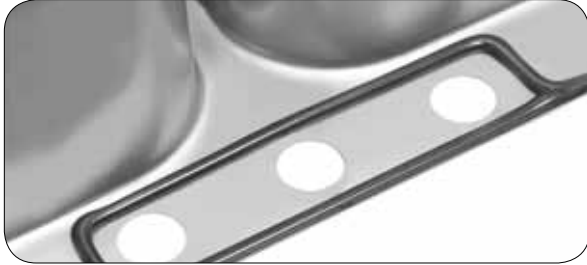
- Features and Benefits 4 - 5
- Installation 6
- Selecting the right size sink 7
- Undermount 8 - 11
 - Undermount double bowl 8
 - Undermount 1 1/2 bowl 9 - 10
 - Undermount single bowl 11
- Top mount 12 - 20
 - Top mount double bowl 12 - 14
 - Top mount 1 1/2 bowl 15 - 17
 - Top mount single bowl 18 - 20
- Laundry + Utility 21
- Hospitality + Bar 22 - 23
- Care + Cleaning 24 - 25
- Warranty 26 - 27



Model no. (without hole drilling)	Page	Model no. (without hole drilling)	Page
JR600D7	13	JR617D6	23
JR601D7	12	JR618D6	23
JR603D7 / D8	18	JR622D10	21
JR603D7U / D8U	11	JR623D12	21
JR605D7 / D8	18	JR645D8	17
JR606D7	19	JR645D8U	9
JR607D7 / D8	14	JR646D8	20
JR609D7	13	JR646D8U	11
JR612D7	15	JR650D8	17
JR613D7	15	JR650D8U	10
JR614D7	16	JR651D8U	10
JR614D7U	8	JR661D8	20
JR615D8	16	JR661D8U	11
JR615D8U	9	JR662D7U / D8U	8
JR616D6	22	JR2031D7 / D8	12
JR616D6U	22		

SynkSeal™ *(Drop-In Models only)*

Wessan has developed a unique formed in place foamed gasket installed in our factory. This anti-microbial, anti-fungal material saves the installer valuable time during installation. This foam gasket guards against potential water damage to the countertop and helps to ensure the back ledge draws down evenly.



SynkSeal™



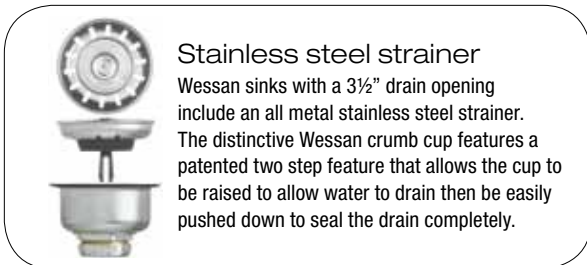
Waterfall partition

The waterfall partition on two bowl models allows water to flow from one bowl to the other if one strainer is in the closed position.



Rear positioned drain hole

By locating the drain hole to the rear of the bowl, usable bowl and cabinet storage space is increased.



Stainless steel strainer

Wessan sinks with a 3½" drain opening include an all metal stainless steel strainer. The distinctive Wessan crumb cup features a patented two step feature that allows the cup to be raised to allow water to drain then be easily pushed down to seal the drain completely.

Deck finish

Wessan applies either a fine brushed satin finish or a mirror finish.



Fine brushed satin finish

Complements stainless steel appliances and brushed nickel fixtures.



Mirror finish

This high polished finish complements chrome fixtures.

Bowl finish

Bowls are polished to a radiant brushed satin finish.

Raised rim

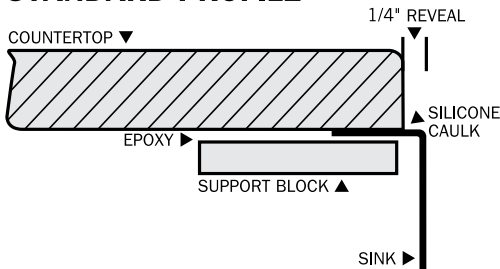
The raised rim profile provides definition and protects against counter spills.



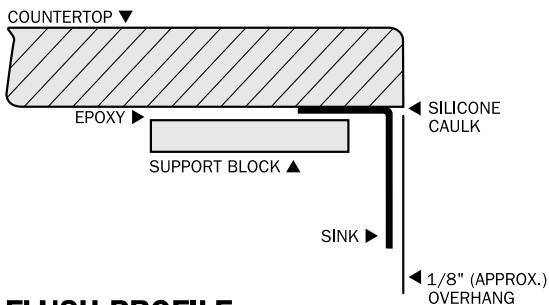
Installation profile options

The template provided with a Wessan undermount sink provides a $\frac{1}{4}$ " reveal. For alternate profiles as illustrated below, the countertop fabricator needs to adjust the cut-out opening.

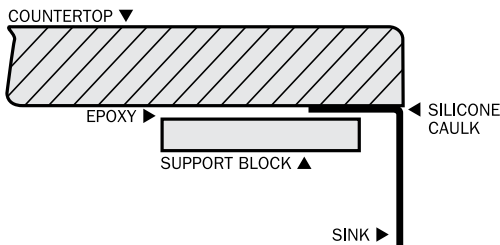
STANDARD PROFILE



OVERHANG PROFILE

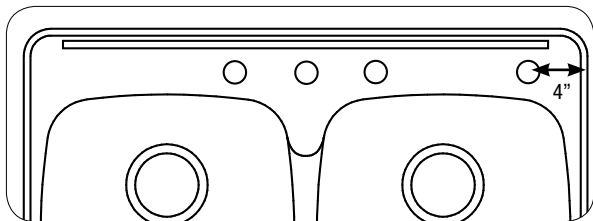


FLUSH PROFILE



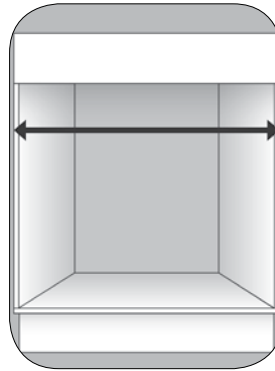
Special Hole Drillings

Where indicated, several drop in models can accommodate a special hole drilling. This will be indicated by an "X" on the backend of the model number. For an alternate hole drilling, a diagram indicating the exact hole position is required. Custom hole drilling orders are not returnable.



Selecting the right size sink

There are two measurements that will determine your maximum sink dimensions.

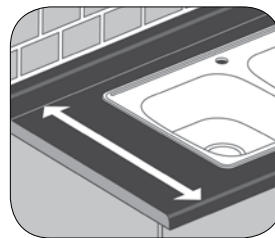


1. Sink cabinet width

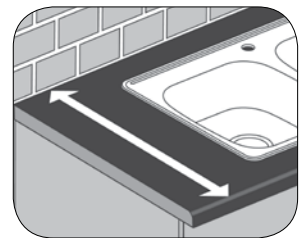
The width of the sink cabinet measured from outside edge to outside edge is considered the sink cabinet width. This measurement will determine the largest possible sink that will fit inside your sink cabinet. For every sink, the minimum cabinet width has been indicated. Measure your sink cabinet and ensure you select a sink with a minimum cabinet width no larger than your sink cabinet.

2. Countertop depth

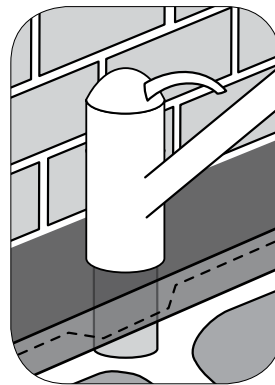
This is the countertop space available to install your sink measured from the front to the back of the countertop.



A countertop with a post formed backsplash will typically accommodate a sink with a maximum front to back dimension of 21".



A countertop without a post formed backsplash will typically accommodate a sink with a maximum front to back dimension of 22". However, if you have a thick tile or solid surface material mounted on your backsplash, it will reduce the amount of counter space available for the sink.



Faucet notch

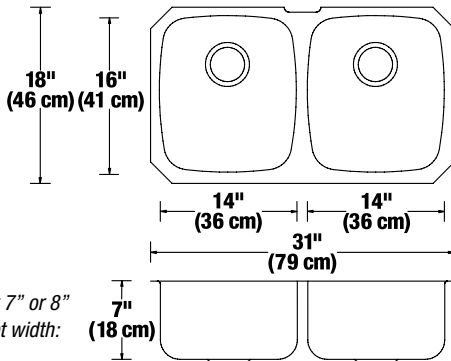
Wessan undermount sinks feature a $\frac{1}{2}$ " deep faucet notch allowing for the installation of larger base faucets yet still allowing the fabricator to cut a straight line in the countertop.

Tip on sink depth... When undermounting a sink, also consider the thickness of the countertop. A 10" deep sink undermounted in a typical countertop that is approximately 1" thick, will provide a total depth of 11".



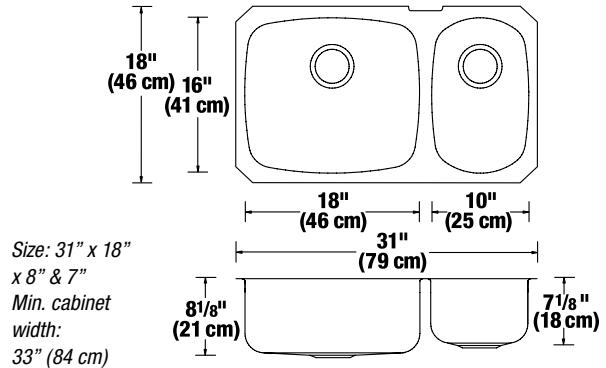
Model no.	Faucet holes
JR662D7U	N/A
JR662D8U	N/A

Traditional equal two bowl sink / 1/2" Deep notch accommodates larger faucets / Rear positioned drain holes / Factory installed polymer sound deadening pads absorb sound / Type 301, 20 gauge stainless steel / Template included



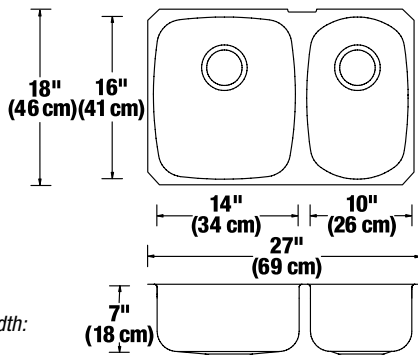
Model no.	Faucet holes
JR615D8U	N/A

Large main bowl is ideal to handle large pots / Rear positioned drain holes / Factory applied sound deadening pads absorb sound / Type 301, 20 gauge stainless steel / Template included



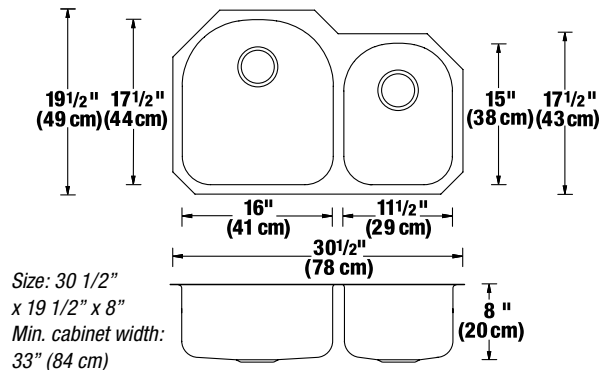
Model no.	Faucet holes
JR614D7U	N/A

Ideal combination of small and large bowl suitable for smaller cabinets / Rear positioned drain holes / Factory installed polymer sound deadening pads absorb sound / Type 301, 20 gauge stainless steel / Template included



Model no.	Faucet holes
JR645D8U	N/A

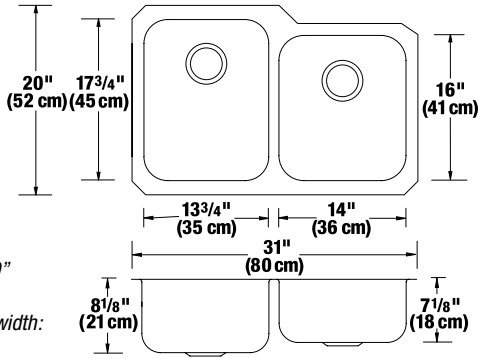
Large and small D bowl sink / Brushed satin finish bowl / Rear positioned drain holes / Factory installed sound deadening pads / Type 301, 20 gauge stainless steel





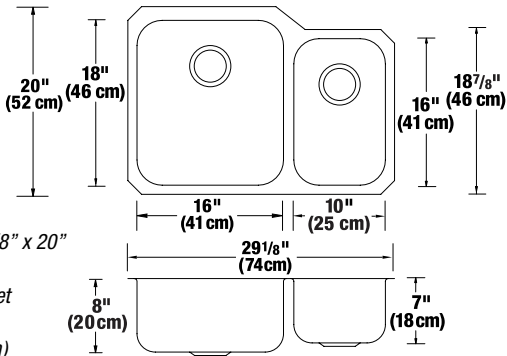
Model no.	Faucet holes
JR650D8U	N/A

One and 3/4 bowl sink with extra wide right hand bowl / Brushed satin finish bowl / Rear positioned drain holes / Factory installed sound deadening pads / Type 301, 20 gauge stainless steel / Template included



Model no.	Faucet holes
JR651D8U	N/A

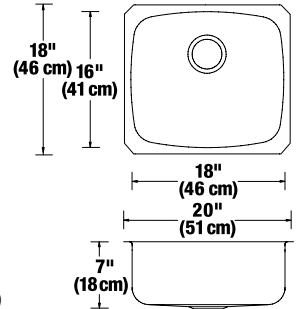
One and 3/4 bowl sink with extra wide left hand bowl / Brushed satin finish bowl / Rear positioned drain holes / Factory installed sound deadening pads / Type 301, 20 gauge stainless steel / Template included



Model no.	Faucet holes
JR603D7U	N/A
JR603D8U	N/A

Large single bowl is designed to handle large pots / Brushed satin finish bowl / Rear positioned drain hole / Factory applied sound deadening pads absorb sound / Type 301, 20 gauge stainless steel / Template included

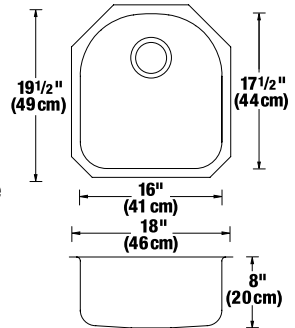
Size: 20" x 18" x 7" or 8"
 Minimum cabinet width: 22" (56 cm)



Model no.	Faucet holes
JR646D8U	N/A

Large single D bowl sink / Brushed satin finish bowl / Rear positioned drain hole / Factory applied sound deadening pads / Type 301, 20 gauge stainless steel / Template included

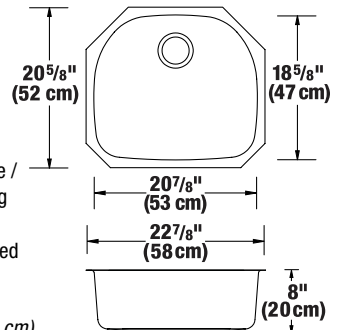
Size: 18" x 19 1/2" x 8"
 Minimum cabinet width: 20" (51 cm)



Model no.	Faucet holes
JR661D8U	N/A

Large single D bowl sink / Brushed satin finish deck and bowl / Rear positioned drain hole / Factory applied sound deadening pads / Type 301, 20 gauge stainless steel / Template included

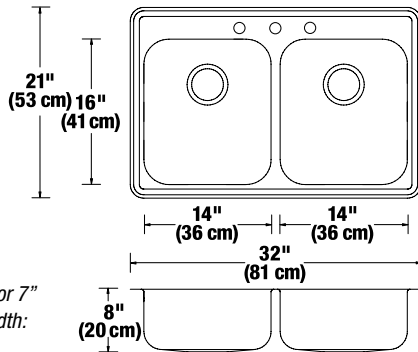
Size: 22 7/8" x 20 5/8" x 8"
 Minimum cabinet width: 25" (64 cm)





7" Model no.	8" Model no.	Faucet holes
JR2031D71	JR2031D81	1
JR2031D73	JR2031D83	3
JR2031D74	JR2031D84	4
JR2031D7X	JR2031D8X	See Pg.6

Brushed satin deck finish / Raised rim / Rear positioned drain holes / Tight corners increase bowl capacity and functionality / Factory installed polymer sound deadening pads absorb sound / Off the bowl clips / Type 301, 20 gauge stainless steel / Template included

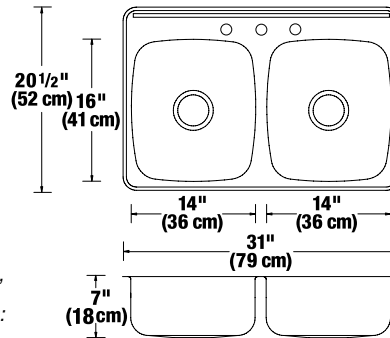


Size: 32" x 21" x 8" or 7"
Minimum cabinet width: 33" (84 cm)



Model no.	Faucet holes
JR600D71	1
JR600D73	3
JR600D74	4
JR600D7X	See Page 6

Mirror deck finish / Centre positioned drain holes eliminate need for additional plumbing in direct sink replacement installations / Factory installed polymer sound deadening pads absorb sound / Off the bowl clips / Type 301, 20 gauge stainless steel / Template included

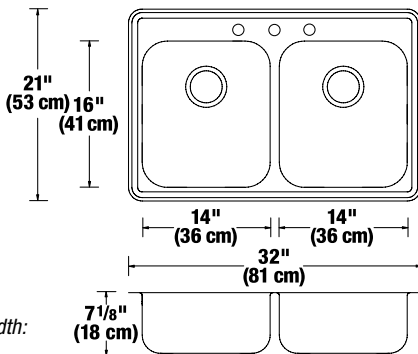


Size: 31" x 20 1/2" x 7"
Minimum cabinet width: 33" (84 cm)



Model no.	Faucet holes
JR601D71	1
JR601D73	3
JR601D74	4
JR601D7X	See Page 6

Mirror deck finish / Rear positioned drain holes / Raised rim / Tight corners increase bowl capacity and functionality / Factory installed polymer sound deadening pads absorb sound / Off the bowl clips / Type 301, 20 gauge stainless steel / Template included

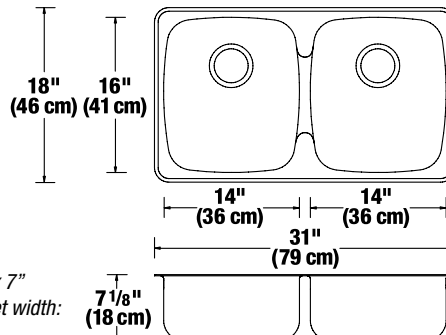


Size: 32" x 21" x 7"
Minimum cabinet width: 33" (84 cm)



Model no.	Faucet holes
JR609D7	N/A

Mirror deck finish / Rear positioned drain holes / Waterfall partition / Factory installed polymer sound deadening pads absorb sound / Off the bowl clips / Type 301, 20 gauge stainless steel / Template included

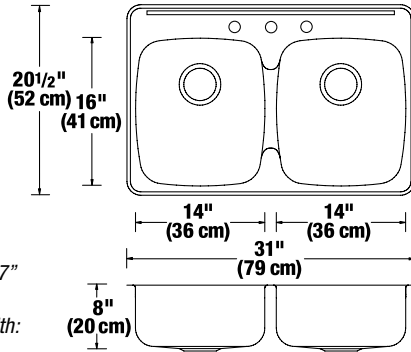


Size: 31" x 18" x 7"
Minimum cabinet width: 33" (84 cm)

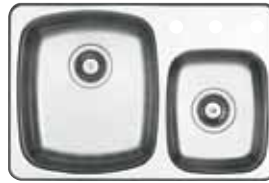


7" Model no.	8" Model no.	Faucet holes
JR607D71	JR607D81	1
JR607D73	JR607D83	3
JR607D74	JR607D84	4
JR607D7X	JR607D8X	See Pg.6

Mirror deck finish / Rear positioned drain holes / Waterfall partition / Factory installed polymer sound deadening pads absorb sound / Off the bowl clips / Type 301, 20 gauge stainless steel / Template included

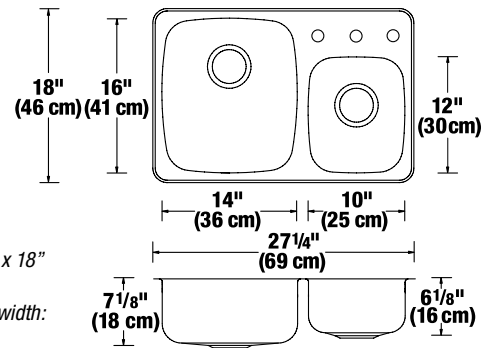


Size: 31" x 20 1/2" x 7" or 8"
Minimum cabinet width: 33" (84 cm)



Model no.	Faucet holes
JR612D71	1
JR612D73	3
JR612D7X	See Page 6

Ideal combination of small and large bowl suitable for smaller cabinets / Mirror deck finish / Drain holes: left - rear; right - centre / Factory installed polymer sound deadening pads absorb sound / Off the bowl clips / Type 301, 20 gauge stainless steel / Template included

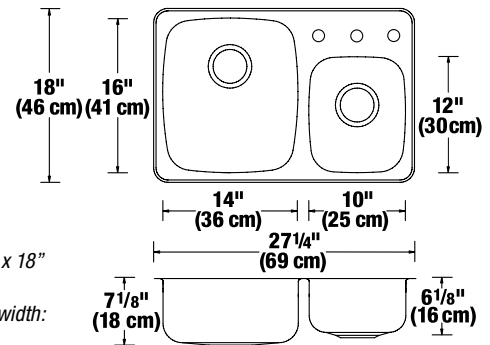


Size: 27 1/4" x 18" x 7" & 6"
Min. cabinet width: 30" (76 cm)



Model no.	Faucet holes
JR613D71	1
JR613D73	3
JR613D7X	See Page 6

Ideal combination of small and large bowl suitable for smaller cabinets / Mirror deck finish / Custom fit, wood cutting board adds functionality / Drain holes: left - rear; right - centre / Factory installed polymer sound deadening pads absorb sound / Off the bowl clips / Type 301, 20 gauge stainless steel / Template included

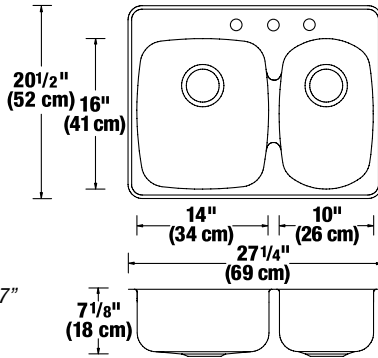


Size: 27 1/4" x 18" x 7" & 6"
Min. cabinet width: 30" (76 cm)



Model no.	Faucet holes
JR614D71	1
JR614D73	3
JR614D74	4
JR614D7X	See Page 6

Ideal combination of small and large bowl suitable for smaller cabinets / Mirror deck finish / Rear positioned drain holes / Waterfall partition / Factory installed polymer sound deadening pads absorb sound / Off the bowl clips / Type 301, 20 gauge stainless steel / Template included

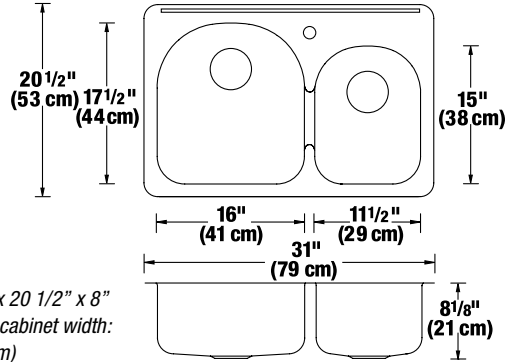


Size: 27 1/4" x 20 1/2" x 7"
Minimum cabinet width:
30" (76 cm)



Model no.	Faucet holes
JR645D81	1
JR645D8X	See Page 6

Large and small D bowl sink / Mirror deck finish / Rear positioned drain holes / Waterfall partition / Factory installed sound deadening pads / Off the bowl clips / Type 301, 20 gauge stainless steel

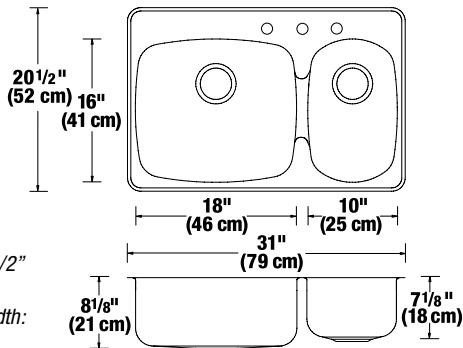


Size: 31" x 20 1/2" x 8"
Minimum cabinet width:
33" (84 cm)



Model no.	Faucet holes
JR615D81	1
JR615D83	3
JR615D8X	See Page 6

Large main bowl is ideal to handle large pots / Mirror deck finish / Rear positioned drain holes / Waterfall partition / Factory applied sound deadening pads absorb sound / Type 301, 20 gauge stainless steel / Template included

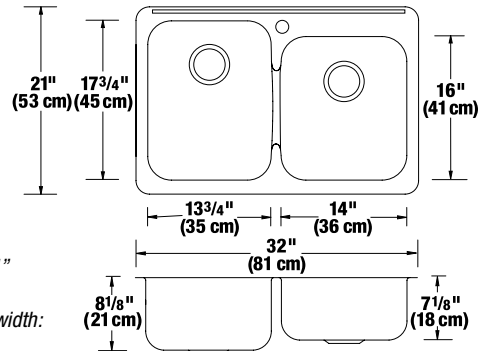


Size: 31" x 20 1/2"
x 8" & 7"
Min. cabinet width:
33" (84 cm)



Model no.	Faucet holes
JR650D81	1
JR650D8X	See Page 6

One and a half bowl sink with extra wide right hand bowl / Mirror deck finish / Rear positioned drain holes / Waterfall partition / Factory installed sound deadening pads / Off the bowl clips / Type 301, 20 gauge stainless steel / Template included

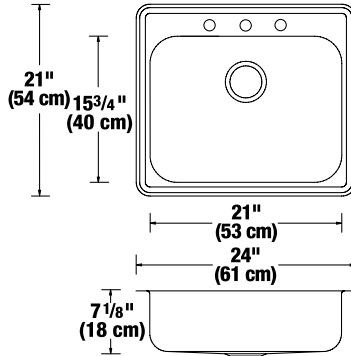


Size: 32" x 21"
x 8" & 7"
Min. cabinet width:
33" (84 cm)



7" Model no.	8" Model no.	Faucet holes
JR605D71	JR605D81	1
JR605D73	JR605D83	3
JR605D7X	JR605D8X	See Pg.6

Large single bowl is designed to handle large pots / Raised rim / Brushed satin deck finish / Rear positioned drain hole / Tight corners increase bowl capacity and functionality / Factory installed polymer sound deadening pads absorb sound / Off the bowl clips / Type 301, 20 gauge stainless steel / Template included

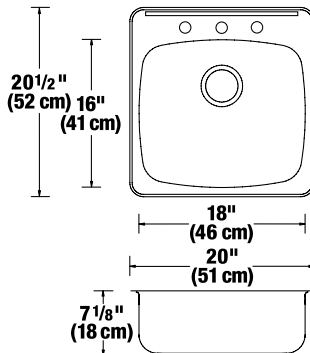


Size: 24" x 21" x 7" or 8"
Minimum cabinet width: 25" (64 cm)



7" Model no.	8" Model no.	Faucet holes
JR603D71	JR603D81	1
JR603D73	JR603D83	3
JR603D74	JR603D84	4
JR603D7X	JR603D8X	See Pg.6

Large single bowl is designed to handle large pots / Mirror deck finish / Rear positioned drain hole / Factory installed polymer sound deadening pad absorbs sound / Off the bowl clips / Type 301, 20 gauge stainless steel / Template included

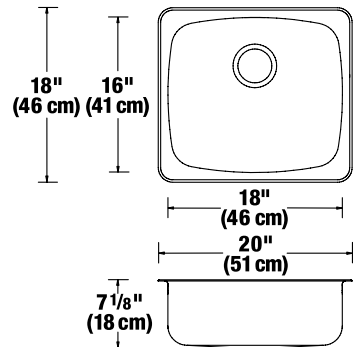


Size: 20" x 20 1/2" x 7" or 8"
Minimum cabinet width: 22" (56 cm)



Model no.	Faucet holes
JR606D7	N/A

Large single bowl without faucet ledge is designed to handle large pots / Mirror deck finish / Rear positioned drain hole / Factory installed polymer sound deadening pad absorbs sound / Off the bowl clips / Type 301, 20 gauge stainless steel / Template included

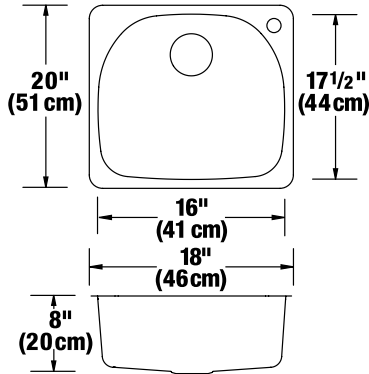


Size: 20" x 18" x 7"
Minimum cabinet width: 22" (56 cm)



Model no.	Faucet holes
JR646D81	1
JR646D8X	See Page 6

Large single D bowl sink / Mirror deck finish / Rear positioned drain hole / Factory applied sound deadening pads / Type 301, 20 gauge stainless steel / Template included

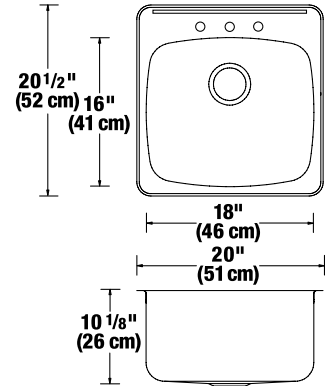


Size: 18" x 20" x 8"
Minimum cabinet width:
20" (51 cm)



Model no.	Faucet holes
JR622D101	1
JR622D102	2, 4" centres
JR622D103	3
JR622D10X	See Page 6

Laundry sink / Mirror deck finish / Rear positioned drain hole / Factory applied sound deadening pads absorb sound / Off the bowl clips / Type 304, 18 gauge stainless steel / Template included

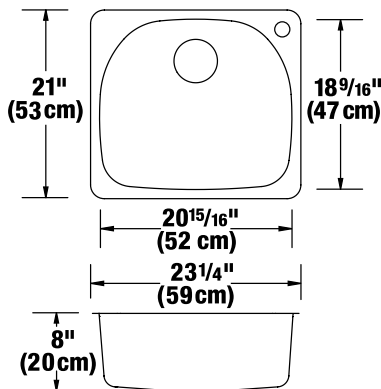


Size: 20" x 20 1/2" x 10"
Minimum cabinet width:
22" (56 cm)



Model no.	Faucet holes
JR661D81	1
JR661D8X	See Page 6

Large single D bowl sink / Brushed satin finish deck and bowl / Rear positioned drain hole / Factory applied sound deadening pads / Type 301, 20 gauge stainless steel / Template included



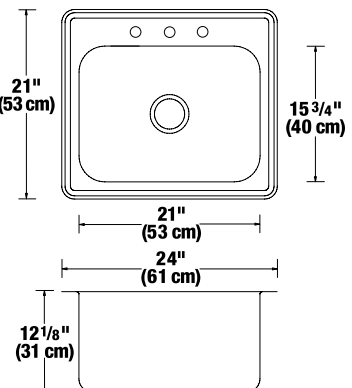
Size: 23 1/4" x 21" x 8"
Minimum cabinet width:
25" (64 cm)



Model no.	Faucet holes
JR623D121	1
JR623D122	2, 4" centres
JR623D123	3
JR623D12X	See Page 6

Laundry sink / Brushed satin deck finish / Raised rim / Centre drain / Tight corners increase bowl capacity and functionality / Factory applied sound deadening pads absorb sound / Type 304, 18 gauge stainless steel / Off the bowl clips

Tip: When soaking anything in bleach, we recommend using a bucket as opposed to the sink bowl. This will prevent the chloride from attacking the stainless steel. Remember to always rinse the sink after using bleach.

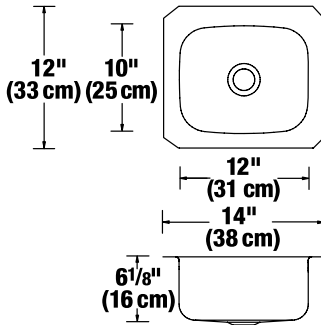


Size: 24" x 21" x 12"
Minimum cabinet width:
25" (64 cm)



Model no.	Faucet holes
JR616D6U	N/A

Undermount single bowl / Brushed satin deck finish / 1/2" chrome plated brass strainer and tail piece with stainless steel basket included / Factory installed, polymer sound deadening pads absorb sound / Type 301, 20 gauge stainless steel / Template included

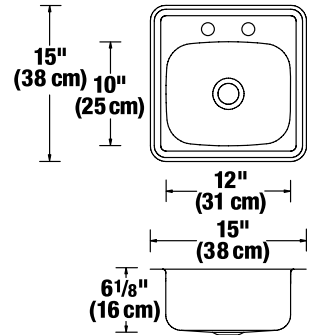


Size: 14" x 12" x 6"
Minimum cabinet width: 16" (41 cm)



Model no.	Faucet holes
JR617D61	1
JR617D62	2, 4" centres
JR617D6X	See Page 6

Hospitality sink / Brushed satin deck finish / Raised rim / 1/2" chrome plated brass strainer and tail piece with stainless steel basket included / Factory installed, polymer sound deadening pads absorb sound / Off the bowl clips / Type 301, 20 gauge stainless steel / Template included

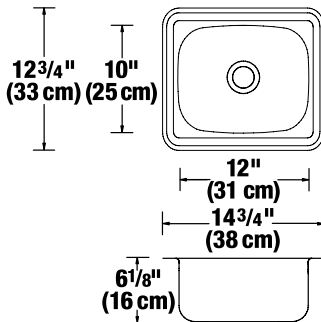


Size: 15" x 15" x 6"
Minimum cabinet width: 16" (41 cm)



Model no.	Faucet holes
JR616D6	N/A

Top mount single bowl / Brushed satin deck finish / Raised rim / 1/2" chrome plated brass strainer and tail piece with stainless steel basket included / Factory installed, polymer sound deadening pads absorb sound / Off the bowl clips / Type 301, 20 gauge stainless steel / Template included



Size: 14 3/4" x 12 3/4" x 6"
Minimum cabinet width: 16" (41 cm)

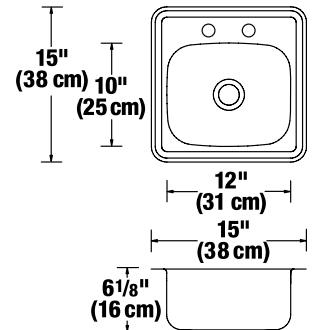


Model no.	Faucet holes
JR618D62	2

Hospitality sink / Brushed satin deck finish / Raised rim / 1/2" chrome plated brass strainer and tail piece with stainless steel basket included / Factory installed, polymer sound deadening pads absorb sound / Off the bowl clips / Type 301, 20 gauge stainless steel / Template included



Includes two handle faucet in chrome finish



Size: 15" x 15" x 6"
Minimum cabinet width: 16" (41 cm)

Cleaning and maintaining your sink

Daily cleaning

To remove residue and grease, use a non abrasive cleaner or a mild abrasive cleaner provided it is recommended by the manufacturer for use in sinks.

Heavy cleaning

A fine pumice powder can be used inside the bowl but should not be used on any mirror surface.

Scratches

Scratches will occur with the use of your sink. Surface scratches can be made less noticeable with a fine pumice powder.

Rust

Rust typically appears as a result of chloride or carbon steel being introduced inside the sink. Prolonged contact with steel wool, chloride cleaners and antibacterial soap should always be avoided. Surface rust can be removed with Flitz®.

Chemicals

Photographic chemicals and acids should never be poured inside a residential sink. Chemicals contained inside drain cleaning products are low in concentration and can be used safely, however, thoroughly rinse your sink after use.

Water quality

The quality of your water can affect your sinks' appearance. If your water has high iron content, a brown surface stain can form on the sink giving the appearance of rust. Additionally, in areas with a high concentration of minerals, or with over-softened water, a white film may develop on the sink. To combat these problems, towel dry the sink and on a weekly basis, clean the sink using a recommended cleanser.





Warranty

Novanni Stainless Inc. offers a lifetime warranty to the original purchaser of a Wessan stainless steel sink. Novanni Stainless Inc. will, at its option, replace, without charge, such a product if it fails due to a manufacturing defect that occurs during normal residential use. Product replacement does not include transportation cost or labour installation cost. Through the use of your sink, scratches will occur over time. Scratches that occur during use of the sink are not a material defect and are not covered

under this warranty. For complete warranty terms, please contact Novanni Stainless Inc. customer service.

Appearance and specifications are subject to change without notice. Wessan is a trade mark of Novanni Stainless Inc.

All sinks and strainers are approved to CSA standards. Flitz is a registered trademark of Flitz International, Ltd.