

Project Number: _____

Project Name: _____

33 3/8" x 20 1/4"

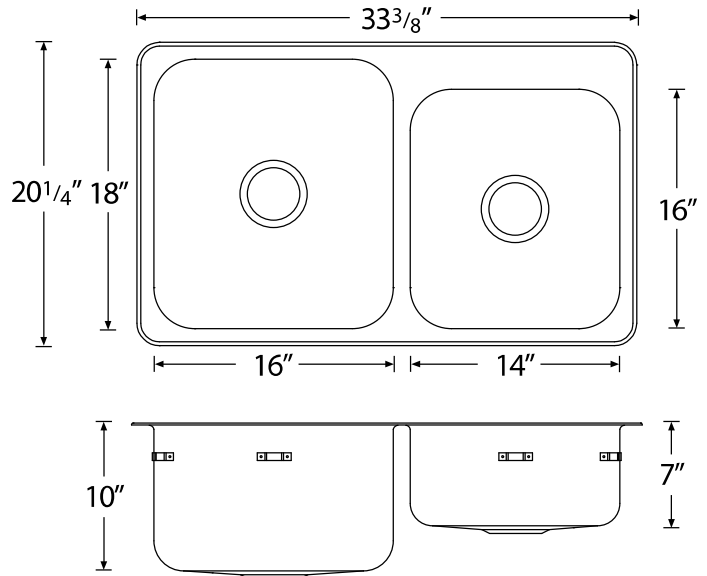


Fixture #

Model 4001, **1 & 1/2 Bowl Offset**, 300 Series stainless steel, 20 gauge (18 gauge available as option A), Off the bowl clamp system, exposed surfaces finished to a satin finish, 18-8 stainless steel, 3 1/2" or 1 1/2" waste assembly included.

Outside dimension: 33 3/8" x 20 1/4" (85cm x 51cm)
 Bowl depth: 10" (25cm) & 7" (17cm)

NOTES:



GAUGE	OVERALL DIMENSIONS				LARGE BOWL				SMALL BOWL				BOWL DEPTH			
	Left to Right		Front to Back		Left to Right	Front to Back	Left to Right	Front to Back	Left to Right	Front to Back	Large	Small				
20	33 3/8"	85cm	20 1/4"	51cm	16"	41cm	18"	46cm	14"	36cm	16"	41cm	10"	25cm	7"	17cm

OPTIONS (check the option(s) you would like and indicate your choices above)

- | | | |
|---|---|--|
| <input type="checkbox"/> A (18 Gauge) | <input type="checkbox"/> F (Left Rear Waste) | <input type="checkbox"/> J (10" Depth) |
| <input type="checkbox"/> B (Mirror Ledge) | <input type="checkbox"/> G (Right Rear Waste) | <input type="checkbox"/> K (12" Depth) |
| <input type="checkbox"/> D (1 1/2" Strainer) | <input type="checkbox"/> H (Stand pipe overflow) | <input type="checkbox"/> OV (Overflow Assembly) |
| <input type="checkbox"/> E (Centre Rear Waste) | <input type="checkbox"/> I (8" Depth) | <input type="checkbox"/> VP (Vandal Resistant Strainer) |

HOLE DRILLINGS

Hole Configuration:	#s to Enter Above	Check here for hole selection
1 hole	<input type="text" value="1"/> <input type="text" value="0"/>	<input type="checkbox"/>
2 hole, 4" (10cm) centre	<input type="text" value="2"/> <input type="text" value="4"/>	<input type="checkbox"/>
3 hole, 4" (10cm) centre	<input type="text" value="3"/> <input type="text" value="4"/>	<input type="checkbox"/>
2 hole, 8" (20cm) centre	<input type="text" value="2"/> <input type="text" value="8"/>	<input type="checkbox"/>
3 hole, 8" (20cm) centre	<input type="text" value="3"/> <input type="text" value="8"/>	<input type="checkbox"/>
Special Holes*	<input type="text" value="S"/> <input type="text" value="H"/>	<input type="checkbox"/>

*Drawings must be included

Engineer's Approval

Novanni has a policy of continuous improvement. All product specifications may change without notice.

Project Number: _____

Project Name: _____

29 3/8" x 16 1/4"

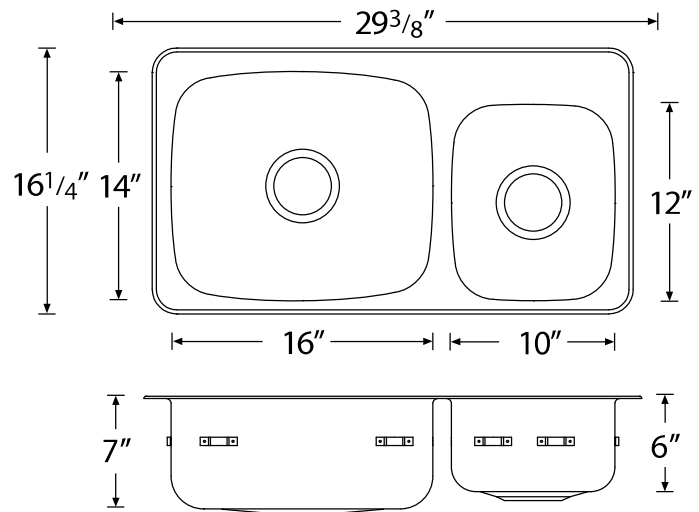


Fixture #

Model 4002, **1 & 1/2 Bowl Offset**, 300 Series stainless steel, 20 gauge (18 gauge available as option A), Off the bowl clamp system, exposed surfaces finished to a satin finish, 18-8 stainless steel, 3 1/2" or 1 1/2" waste assembly included.

Outside dimension: 29 3/8" x 16 1/4" (74cm x 41cm)

Bowl depth: 7" (18cm) & 6" (15cm)



NOTES:

GAUGE	OVERALL DIMENSIONS		LARGE BOWL		SMALL BOWL		BOWL DEPTH									
	Left to Right	Front to Back	Left to Right	Front to Back	Left to Right	Front to Back	Large	Small								
20	29 3/8"	74cm	16 1/4"	41cm	16"	41cm	14"	36cm	10"	25cm	12"	30cm	7"	17cm	6"	15cm

OPTIONS (check the option(s) you would like and indicate your choices above)

- | | | |
|---|---|--|
| <input type="checkbox"/> A (18 Gauge) | <input type="checkbox"/> F (Left Rear Waste) | <input type="checkbox"/> J (10" Depth) |
| <input type="checkbox"/> B (Mirror Ledge) | <input type="checkbox"/> G (Right Rear Waste) | <input type="checkbox"/> K (12" Depth) |
| <input type="checkbox"/> D (1 1/2" Strainer) | <input type="checkbox"/> H (Stand pipe overflow) | <input type="checkbox"/> OV (Overflow Assembly) |
| <input type="checkbox"/> E (Centre Rear Waste) | <input type="checkbox"/> I (8" Depth) | <input type="checkbox"/> VP (Vandal Resistant Strainer) |

HOLE DRILLINGS

Hole Configuration:	#s to Enter Above	Check here for hole selection
1 hole	<input type="text" value="1"/> <input type="text" value="0"/>	<input type="checkbox"/>
2 hole, 4" (10cm) centre	<input type="text" value="2"/> <input type="text" value="4"/>	<input type="checkbox"/>
3 hole, 4" (10cm) centre	<input type="text" value="3"/> <input type="text" value="4"/>	<input type="checkbox"/>
2 hole, 8" (20cm) centre	<input type="text" value="2"/> <input type="text" value="8"/>	<input type="checkbox"/>
3 hole, 8" (20cm) centre	<input type="text" value="3"/> <input type="text" value="8"/>	<input type="checkbox"/>
Special Holes*	<input type="text" value="S"/> <input type="text" value="H"/>	<input type="checkbox"/>

*Drawings must be included

Engineer's Approval

Novanni has a policy of continuous improvement. All product specifications may change without notice.

Project Number: _____

Project Name: _____

33 3/8" x 18 1/4"

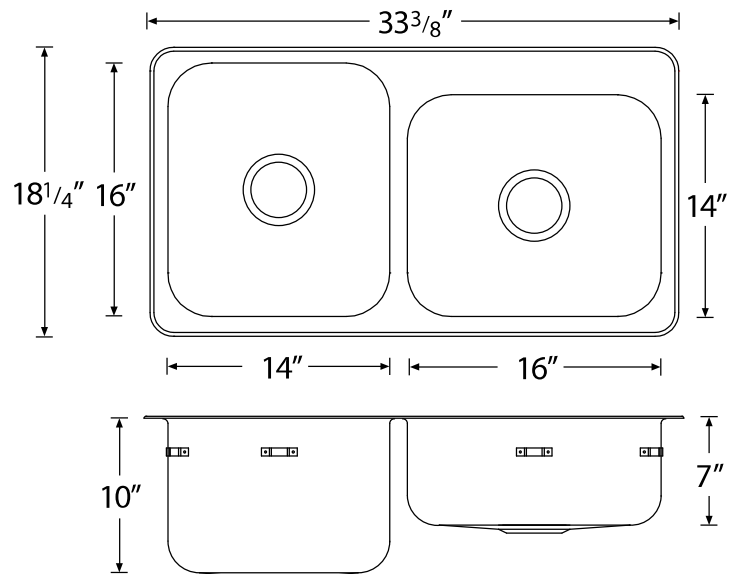
Fixture #



Model 4003, **1 & 1/2 Bowl Offset**, 300 Series stainless steel, 20 gauge (18 gauge available as option A), Off the bowl clamp system, exposed surfaces finished to a satin finish, 18-8 stainless steel, 3 1/2" or 1 1/2" waste assembly included.

Outside dimension: 33 3/8" x 18 1/4" (85cm x 46cm)

Bowl depth: 10" (25cm) and 7" (17cm)



NOTES:

GAUGE	OVERALL DIMENSIONS		LARGE BOWL		SMALL BOWL		BOWL DEPTH			
	Left to Right	Front to Back	Left to Right	Front to Back	Left to Right	Front to Back	Large	Small		
20	33 3/8"	85cm	14"	36cm	16"	41cm	10"	25cm	7"	17cm

OPTIONS (check the option(s) you would like and indicate your choices above)

- | | | |
|---|---|--|
| <input type="checkbox"/> A (18 Gauge) | <input type="checkbox"/> F (Left Rear Waste) | <input type="checkbox"/> J (10" Depth) |
| <input type="checkbox"/> B (Mirror Ledge) | <input type="checkbox"/> G (Right Rear Waste) | <input type="checkbox"/> K (12" Depth) |
| <input type="checkbox"/> D (1 1/2" Strainer) | <input type="checkbox"/> H (Stand pipe overflow) | <input type="checkbox"/> OV (Overflow Assembly) |
| <input type="checkbox"/> E (Centre Rear Waste) | <input type="checkbox"/> I (8" Depth) | <input type="checkbox"/> VP (Vandal Resistant Strainer) |

HOLE DRILLINGS

Hole Configuration:	#s to Enter Above	Check here for hole selection	
1 hole	<input type="text" value="1"/> <input type="text" value="0"/>	<input type="checkbox"/>	
2 hole, 4" (10cm) centre	<input type="text" value="2"/> <input type="text" value="4"/>	<input type="checkbox"/>	
3 hole, 4" (10cm) centre	<input type="text" value="3"/> <input type="text" value="4"/>	<input type="checkbox"/>	
2 hole, 8" (20cm) centre	<input type="text" value="2"/> <input type="text" value="8"/>	<input type="checkbox"/>	
3 hole, 8" (20cm) centre	<input type="text" value="3"/> <input type="text" value="8"/>	<input type="checkbox"/>	
Special Holes*	<input type="text" value="S"/> <input type="text" value="H"/>	<input type="checkbox"/>	

*Drawings must be included

Engineer's Approval

Novanni has a policy of continuous improvement. All product specifications may change without notice.

Project Number: _____

Project Name: _____

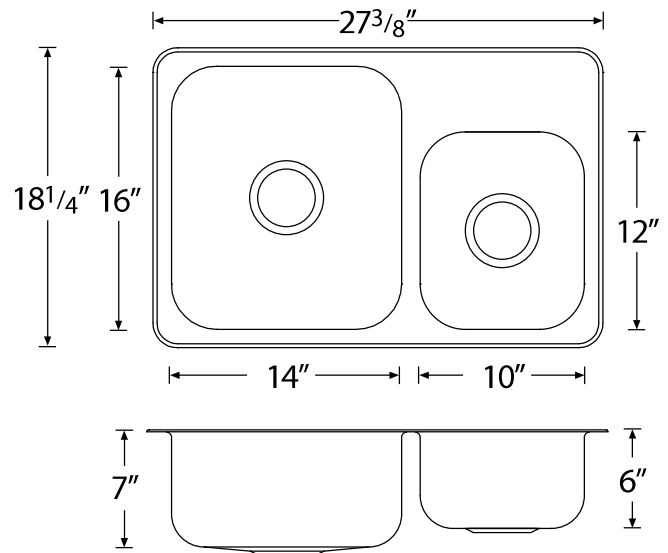
27 3/8" x 18 1/4"

Fixture #



Model 4004, **1 & 1/2 Bowl Offset**, 300 Series stainless steel, 20 gauge (18 gauge available as option A), Off the bowl clamp system, exposed surfaces finished to a satin finish, 18-8 stainless steel, 3 1/2" or 1 1/2" waste assembly included.

Outside dimension: 27 3/8" x 18 1/4" (70cm x 46cm)
 Bowl depth: 7" (18cm) & 6" (15cm)



NOTES:

GAUGE	OVERALL DIMENSIONS		LARGE BOWL		SMALL BOWL		BOWL DEPTH									
	Left to Right	Front to Back	Left to Right	Front to Back	Left to Right	Front to Back	Large	Small								
20	27 3/8"	70cm	18 1/4"	46cm	14"	36cm	16"	41cm	10"	25cm	12"	30cm	7"	17cm	6"	15cm

OPTIONS (check the option(s) you would like and indicate your choices above)

- | | | |
|---|---|--|
| <input type="checkbox"/> A (18 Gauge) | <input type="checkbox"/> F (Left Rear Waste) | <input type="checkbox"/> J (10" Depth) |
| <input type="checkbox"/> B (Mirror Ledge) | <input type="checkbox"/> G (Right Rear Waste) | <input type="checkbox"/> K (12" Depth) |
| <input type="checkbox"/> D (1 1/2" Strainer) | <input type="checkbox"/> H (Stand pipe overflow) | <input type="checkbox"/> OV (Overflow Assembly) |
| <input type="checkbox"/> E (Centre Rear Waste) | <input type="checkbox"/> I (8" Depth) | <input type="checkbox"/> VP (Vandal Resistant Strainer) |

HOLE DRILLINGS

Hole Configuration:	#s to Enter Above	Check here for hole selection
1 hole	<input type="text" value="1"/> <input type="text" value="0"/>	<input type="checkbox"/>
2 hole, 4" (10cm) centre	<input type="text" value="2"/> <input type="text" value="4"/>	<input type="checkbox"/>
3 hole, 4" (10cm) centre	<input type="text" value="3"/> <input type="text" value="4"/>	<input type="checkbox"/>
2 hole, 8" (20cm) centre	<input type="text" value="2"/> <input type="text" value="8"/>	<input type="checkbox"/>
3 hole, 8" (20cm) centre	<input type="text" value="3"/> <input type="text" value="8"/>	<input type="checkbox"/>
Special Holes*	<input type="text" value="S"/> <input type="text" value="H"/>	<input type="checkbox"/>

*Drawings must be included

Engineer's Approval

Novanni has a policy of continuous improvement. All product specifications may change without notice.