

# HOW TO ORDER - Custom

The following is a sample of a Custom Order Form - an original copy can be downloaded from our website at [www.novanni.ca/customorder](http://www.novanni.ca/customorder) or can be found in the AMI Commercial Spec Binder

Job Name : \_\_\_\_\_

Wholesaler : \_\_\_\_\_

Mechanical Engineer : \_\_\_\_\_ Quantity : \_\_\_\_\_

## Sink Type

- |   |  |  |  |
|---|--|--|--|
| <input type="checkbox"/> Single bowl without ledge            | <input type="checkbox"/> Double bowl without ledge | <input type="checkbox"/> Triple bowl without ledge |  |
| <input type="checkbox"/> Single bowl with ledge               | <input type="checkbox"/> Double bowl with ledge    | <input type="checkbox"/> Triple bowl with ledge    |  |
| <input type="checkbox"/> Wall mounted trough sink             | <input type="checkbox"/> General duty art sink     | <input type="checkbox"/> Utility scullery sink     |  |
| <input type="checkbox"/> Wall hung basin                      |  |  |  |
| <input type="checkbox"/> Sink with Work top -                 | <input type="checkbox"/> LH worktop                | <input type="checkbox"/> RH worktop                | <input type="checkbox"/> LH and RH worktop |
| <input type="checkbox"/> Countertop with integrated bowl(s) - | <input type="checkbox"/> 1 bowl                    | <input type="checkbox"/> 2 bowls                   | <input type="checkbox"/> 3 bowls           |

## Type of Steel

- Series 300  Type 316

## Gauge

- 18 Gauge  16 Gauge  14 Gauge

## Exterior Sink Dimensions

Left to right \_\_\_\_\_ Front to back \_\_\_\_\_

## Interior Bowl Dimensions

Left to right \_\_\_\_\_ Front to back \_\_\_\_\_

Bowl depth \_\_\_\_\_ Height (for floor standing units) \_\_\_\_\_

## Drains

- 3 1/2" Drain assembly and crumb cup, series 300  3 1/2" Vandal proof grid strainer, series 300  
 1 1/2" Drain assembly and crumb cup, series 300  1 1/2" Vandal proof grid strainer, series 300  
 Other \_\_\_\_\_

NB – sinks manufactured from type 316 stainless steel are accompanied by the appropriate drain in type 316 stainless steel.

## Drain location

- Centre  Rear centre  Left rear  Right rear  Standpipe & Guard

## Corners

- All Coved  Zero Radius

## Back Splash

- 3" (7.6 cm)  6" (15.2 cm)  8" (20.3 cm)  Other

## Side Splash

- Right  Left  Both

## Edge Profile (see edge profiles on pages 4 & 5)

Indicate Profile Number (see page 4 - 5) \_\_\_\_\_  Front profile  Right side  Left side

## Countertop Thickness

- 1 1/4"  1 1/2"  Other \_\_\_\_\_  
 Marine plywood core for counter top

## Hole Drillings Standard hole diameter is 1 1/2" for sinks and 1 1/4" for lavatory basins

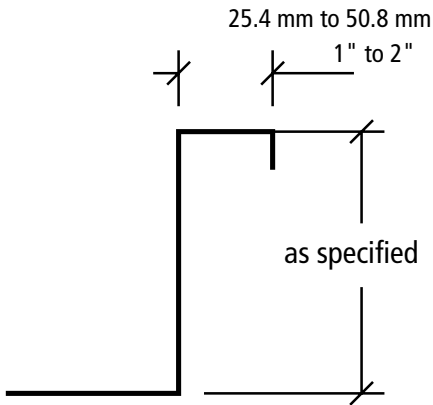
- 1 hole  3 holes, 2" centres, 4" widespread  
 2 holes, 4" centres  3 holes, 4" centres, 8" widespread  
 2 holes, 8" centres  4 holes, 4" centres, 12" widespread  
 Other \_\_\_\_\_ Hole diameter \_\_\_\_\_

## Other Features

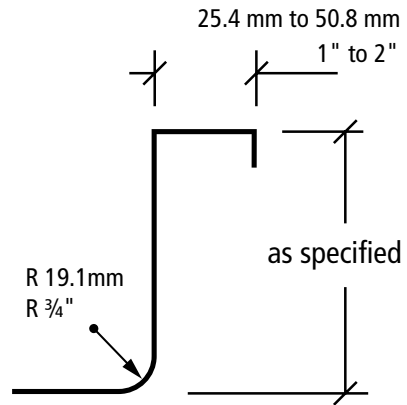
- Tubular legs  Angle legs  Cross bracing  Adjustable bullet feet

# CUSTOM - Back/Side Splash Edges

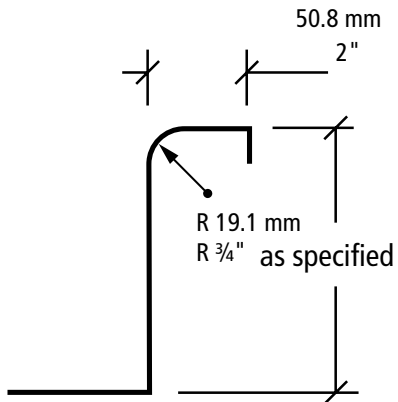
① Boxed



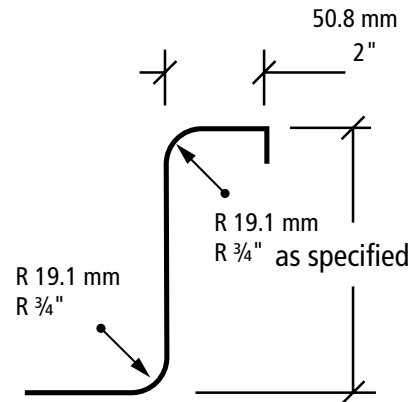
② Up On Radius & Boxed



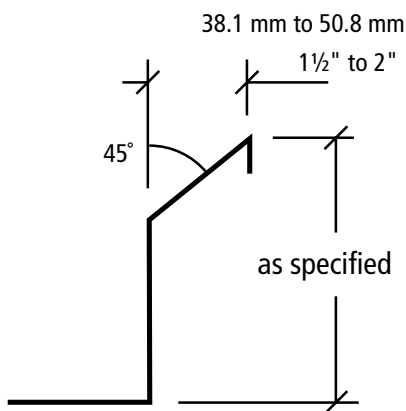
③ Rolled



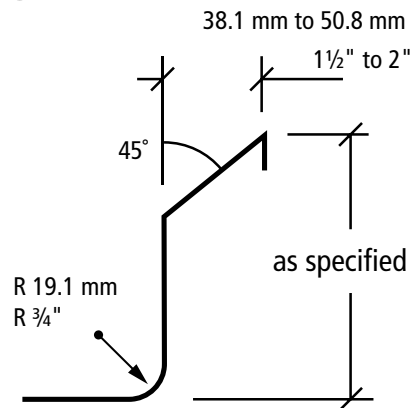
④ Up On Radius & Rolled



⑤ Splayed

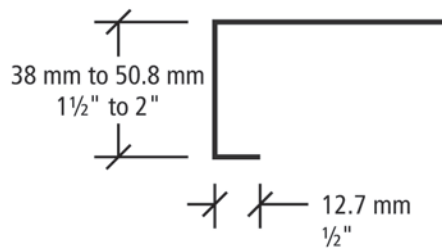


⑥ Up On Radius and Splayed

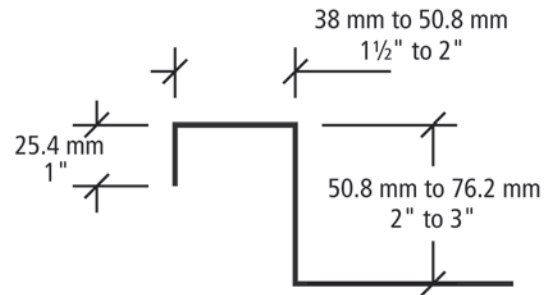


# CUSTOM - Front Edges

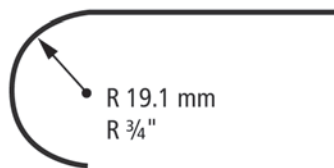
⑦ Boxed



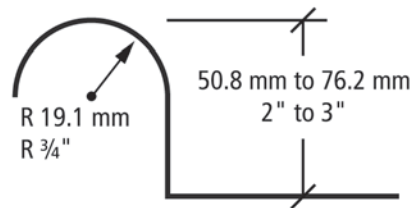
⑧ Up & Boxed



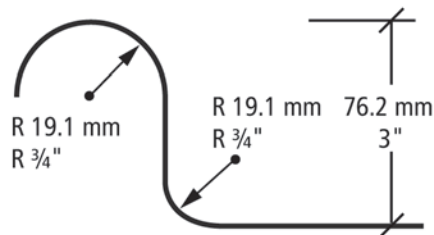
⑨ Rolled



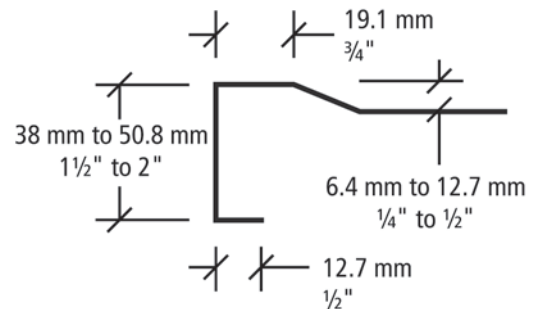
⑩ Up & Rolled



⑪ Up On Radius & Rolled



⑫ Boxed Marine Edge



⑬ V - Marine Edge

