

Project Number: _____
 Project Name: _____

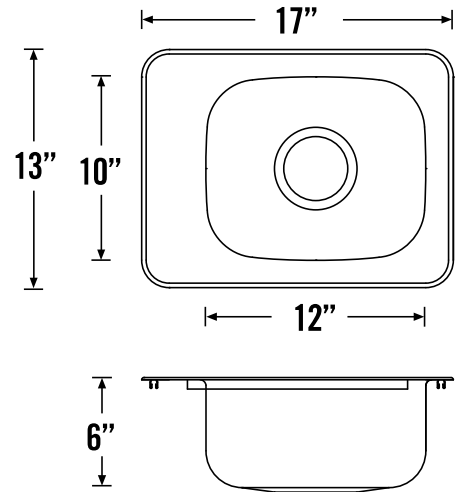
Model 5001, **Single bowl classroom sink with ledge**, 300 or 316 Series stainless steel, 20 gauge (18 gauge available as option A), "U" channel clamp system, self rimming, exposed surfaces finished to a satin finish, 18-8 stainless steel, 1 1/2" waste assembly included.

Outside dimension: 17" x 13" (43cm x 33cm)
 Bowl depth: 6" (15cm)

NOTES:



17" x 13"
 Fixture # _____



GAUGE	LEDGE LOCATION	OVERALL DIMENSIONS				BOWL DIMENSIONS				BOWL DEPTH	
		Left to Right		Front to Back		Left to Right		Front to Back			
20	LEFT	17"	43cm	13"	33cm	12"	30cm	10"	25cm	6"	15cm

OPTIONS (check the option(s) you would like and indicate your choices above)

- | | | |
|---|---|--|
| <input type="checkbox"/> A (18 Gauge) | <input type="checkbox"/> F (Left Waste) | <input type="checkbox"/> J (10" Depth) |
| <input type="checkbox"/> B (Mirror Ledge) | <input type="checkbox"/> G (Right Waste) | <input type="checkbox"/> K (12" Depth) |
| <input type="checkbox"/> D (1 1/2" Strainer) | <input type="checkbox"/> H (Stand pipe overflow) | <input type="checkbox"/> OV (Overflow Assembly) |
| <input type="checkbox"/> E (Centre Waste) | <input type="checkbox"/> I (8" Depth) | <input type="checkbox"/> VP (Vandal Resistant Strainer) |

HOLE DRILLINGS

Hole Configuration:	#s to Enter Above	Check here for hole selection
1 hole	<input type="text" value="1"/> <input type="text" value="0"/>	<input type="checkbox"/>
2 hole, 4" (10cm) centre	<input type="text" value="2"/> <input type="text" value="4"/>	<input type="checkbox"/>
3 hole, 4" (10cm) centre	<input type="text" value="3"/> <input type="text" value="4"/>	<input type="checkbox"/>
2 hole, 8" (20cm) centre	<input type="text" value="2"/> <input type="text" value="8"/>	<input type="checkbox"/>
3 hole, 8" (20cm) centre	<input type="text" value="3"/> <input type="text" value="8"/>	<input type="checkbox"/>
Special Holes*	<input type="text" value="S"/> <input type="text" value="H"/>	<input type="checkbox"/>

*Drawings must be included

Engineer's Approval

Novanni has a policy of continuous improvement. All product specifications may change without notice.

Project Number: _____
 Project Name: _____

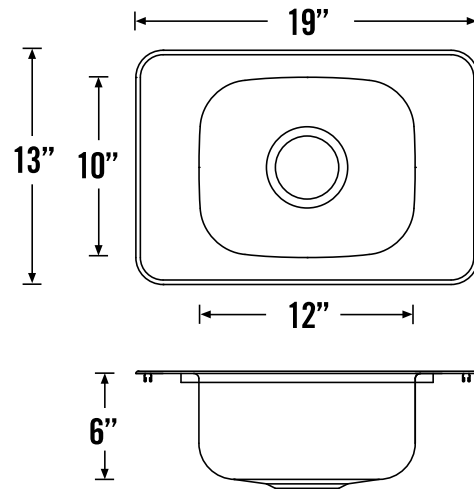
19" x 13"

Fixture #



Model 5002, **Single bowl classroom sink with ledge**, 300 or 316 Series stainless steel, 20 gauge (18 gauge available as option A), "U" channel clamp system, self rimming, exposed surfaces finished to a satin finish, 18-8 stainless steel, 1 1/2" waste assembly included.

Outside dimension: 19" x 13" (48cm x 33cm)
 Bowl depth: 6" (15cm)



NOTES:

GAUGE	LEDGE LOCATION	OVERALL DIMENSIONS				BOWL DIMENSIONS				BOWL DEPTH	
		Left to Right		Front to Back		Left to Right		Front to Back			
20	LEFT & RIGHT	19"	48cm	13"	33cm	12"	30cm	10"	25cm	6"	15cm

OPTIONS (check the option(s) you would like and indicate your choices above)

- | | | |
|---|---|--|
| <input type="checkbox"/> A (18 Gauge) | <input type="checkbox"/> F (Left Waste) | <input type="checkbox"/> J (10" Depth) |
| <input type="checkbox"/> B (Mirror Ledge) | <input type="checkbox"/> G (Right Waste) | <input type="checkbox"/> K (12" Depth) |
| <input type="checkbox"/> D (1 1/2" Strainer) | <input type="checkbox"/> H (Stand pipe overflow) | <input type="checkbox"/> OV (Overflow Assembly) |
| <input type="checkbox"/> E (Centre Waste) | <input type="checkbox"/> I (8" Depth) | <input type="checkbox"/> VP (Vandal Resistant Strainer) |

HOLE DRILLINGS

Hole Configuration:	#s to Enter Above	Check here for hole selection
1 hole	<input type="text"/> 1 <input type="text"/> 0	<input type="checkbox"/>
2 hole, 4" (10cm) centre	<input type="text"/> 2 <input type="text"/> 4	<input type="checkbox"/>
3 hole, 4" (10cm) centre	<input type="text"/> 3 <input type="text"/> 4	<input type="checkbox"/>
2 hole, 8" (20cm) centre	<input type="text"/> 2 <input type="text"/> 8	<input type="checkbox"/>
3 hole, 8" (20cm) centre	<input type="text"/> 3 <input type="text"/> 8	<input type="checkbox"/>
Special Holes*	<input type="text"/> S <input type="text"/> H	<input type="checkbox"/>

*Drawings must be included

Engineer's Approval

Novanni has a policy of continuous improvement. All product specifications may change without notice.

Project Number: _____

Project Name: _____

17" x 15"

Fixture #

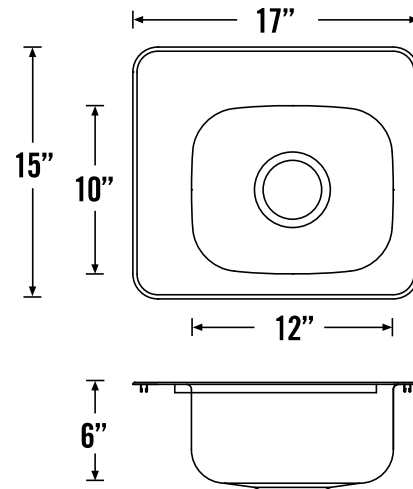


Model 5003, **Single bowl classroom sink with ledge**, 300 or 316 Series stainless steel, 20 gauge (18 gauge available as option A), "U" channel clamp system, self rimming, exposed surfaces finished to a satin finish, 18-8 stainless steel, 1 1/2" waste assembly included.

Outside dimension: 17" x 15" (43cm x 38cm)

Bowl depth: 6" (15cm)

NOTES:



GAUGE	LEDGE LOCATION	OVERALL DIMENSIONS				BOWL DIMENSIONS				BOWL DEPTH	
		Left to Right		Front to Back		Left to Right		Front to Back			
20	LEFT & TOP	17"	43cm	15"	38cm	12"	30cm	10"	25cm	6"	15cm

OPTIONS (check the option(s) you would like and indicate your choices above)

- A** (18 Gauge)
- F** (Left Waste)
- J** (10" Depth)
- B** (Mirror Ledge)
- G** (Right Waste)
- K** (12" Depth)
- D** (1 1/2" Strainer)
- H** (Stand pipe overflow)
- OV** (Overflow Assembly)
- E** (Centre Waste)
- I** (8" Depth)
- VP** (Vandal Resistant Strainer)

HOLE DRILLINGS

Hole Configuration:	#s to Enter Above	Check here for hole selection
1 hole	<input type="text" value="1"/> <input type="text" value="0"/>	<input type="checkbox"/>
2 hole, 4" (10cm) centre	<input type="text" value="2"/> <input type="text" value="4"/>	<input type="checkbox"/>
3 hole, 4" (10cm) centre	<input type="text" value="3"/> <input type="text" value="4"/>	<input type="checkbox"/>
2 hole, 8" (20cm) centre	<input type="text" value="2"/> <input type="text" value="8"/>	<input type="checkbox"/>
3 hole, 8" (20cm) centre	<input type="text" value="3"/> <input type="text" value="8"/>	<input type="checkbox"/>
Special Holes*	<input type="text" value="S"/> <input type="text" value="H"/>	<input type="checkbox"/>

*Drawings must be included

Engineer's Approval

Novanni has a policy of continuous improvement. All product specifications may change without notice.

Project Number: _____
 Project Name: _____

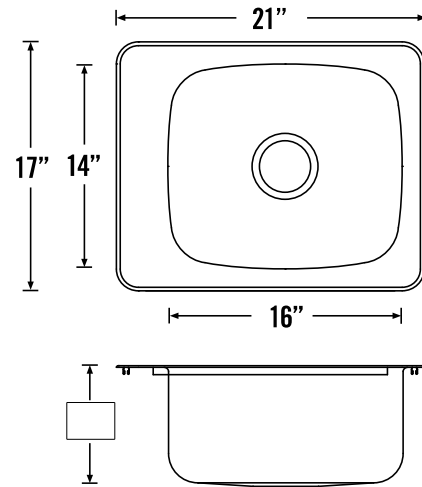
21" x 17"

Fixture #



Model 5004, **Single bowl classroom sink with ledge**, 300 or 316 Series stainless steel, 20 gauge (18 gauge available as option A), "U" channel clamp system, self rimming, exposed surfaces finished to a satin finish, 18-8 stainless steel, 1 1/2" waste assembly included.

Outside dimension: 21" x 17" (53cm x 43cm)
 Standard bowl depth: 7" (18cm)



NOTES:

GAUGE	LEDGE LOCATION	OVERALL DIMENSIONS				BOWL DIMENSIONS				BOWL DEPTH			
		Left to Right		Front to Back		Left to Right		Front to Back		Standard		Maximum	
20	LEFT	21"	53cm	17"	43cm	16"	41cm	14"	36cm	7"	18cm	10"	25cm

OPTIONS (check the option(s) you would like and indicate your choices above)

- | | | |
|---|---|--|
| <input type="checkbox"/> A (18 Gauge) | <input type="checkbox"/> F (Left Waste) | <input type="checkbox"/> J (10" Depth) |
| <input type="checkbox"/> B (Mirror Ledge) | <input type="checkbox"/> G (Right Waste) | <input type="checkbox"/> K (12" Depth) |
| <input type="checkbox"/> D (1 1/2" Strainer) | <input type="checkbox"/> H (Stand pipe overflow) | <input type="checkbox"/> OV (Overflow Assembly) |
| <input type="checkbox"/> E (Centre Waste) | <input type="checkbox"/> I (8" Depth) | <input type="checkbox"/> VP (Vandal Resistant Strainer) |

HOLE DRILLINGS

Hole Configuration:	#s to Enter Above	Check here for hole selection
1 hole	<input type="text" value="1"/> <input type="text" value="0"/>	<input type="checkbox"/>
2 hole, 4" (10cm) centre	<input type="text" value="2"/> <input type="text" value="4"/>	<input type="checkbox"/>
3 hole, 4" (10cm) centre	<input type="text" value="3"/> <input type="text" value="4"/>	<input type="checkbox"/>
2 hole, 8" (20cm) centre	<input type="text" value="2"/> <input type="text" value="8"/>	<input type="checkbox"/>
3 hole, 8" (20cm) centre	<input type="text" value="3"/> <input type="text" value="8"/>	<input type="checkbox"/>
Special Holes*	<input type="text" value="S"/> <input type="text" value="H"/>	<input type="checkbox"/>

*Drawings must be included

Engineer's Approval

Novanni has a policy of continuous improvement. All product specifications may change without notice.

Project Number: _____
 Project Name: _____

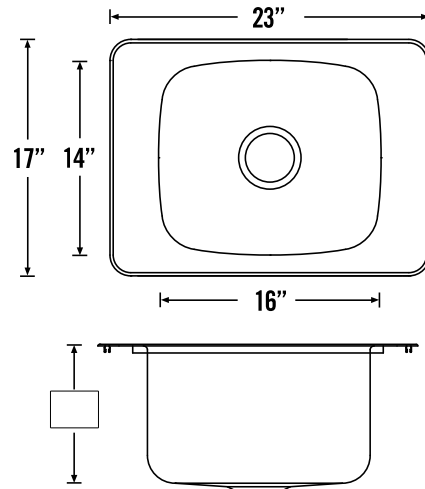
23" x 17"

Fixture #



Model 5005, **Single bowl classroom sink with ledge**, 300 or 316 Series stainless steel, 20 gauge (18 gauge available as option A), "U" channel clamp system, self rimming, exposed surfaces finished to a satin finish, 18-8 stainless steel, 1 1/2" waste assembly included.

Outside dimension: 23" x 17" (58cm x 43cm)
 Standard bowl depth: 7" (25cm)



NOTES:

GAUGE	LEDGE LOCATION	OVERALL DIMENSIONS		BOWL DIMENSIONS				BOWL DEPTH					
		Left to Right	Front to Back	Left to Right	Front to Back	Standard	Maximum						
20	LEFT & RIGHT	23"	58cm	17"	43cm	16"	41cm	14"	36cm	7"	25cm	10"	25cm

OPTIONS (check the option(s) you would like and indicate your choices above)

- | | | |
|---|---|--|
| <input type="checkbox"/> A (18 Gauge) | <input type="checkbox"/> F (Left Waste) | <input type="checkbox"/> J (10" Depth) |
| <input type="checkbox"/> B (Mirror Ledge) | <input type="checkbox"/> G (Right Waste) | <input type="checkbox"/> K (12" Depth) |
| <input type="checkbox"/> D (1 1/2" Strainer) | <input type="checkbox"/> H (Stand pipe overflow) | <input type="checkbox"/> OV (Overflow Assembly) |
| <input type="checkbox"/> E (Centre Waste) | <input type="checkbox"/> I (8" Depth) | <input type="checkbox"/> VP (Vandal Resistant Strainer) |

HOLE DRILLINGS

Hole Configuration:	#s to Enter Above	Check here for hole selection
1 hole	<input type="checkbox"/> 1 <input type="checkbox"/> 0	<input type="checkbox"/>
2 hole, 4" (10cm) centre	<input type="checkbox"/> 2 <input type="checkbox"/> 4	<input type="checkbox"/>
3 hole, 4" (10cm) centre	<input type="checkbox"/> 3 <input type="checkbox"/> 4	<input type="checkbox"/>
2 hole, 8" (20cm) centre	<input type="checkbox"/> 2 <input type="checkbox"/> 8	<input type="checkbox"/>
3 hole, 8" (20cm) centre	<input type="checkbox"/> 3 <input type="checkbox"/> 8	<input type="checkbox"/>
Special Holes*	<input type="checkbox"/> S <input type="checkbox"/> H	<input type="checkbox"/>

*Drawings must be included

Engineer's Approval

Novanni has a policy of continuous improvement. All product specifications may change without notice.

Input Options chosen below

See Hole Drillings Below for Options

Project Number: _____

Project Name: _____

21" x 19"

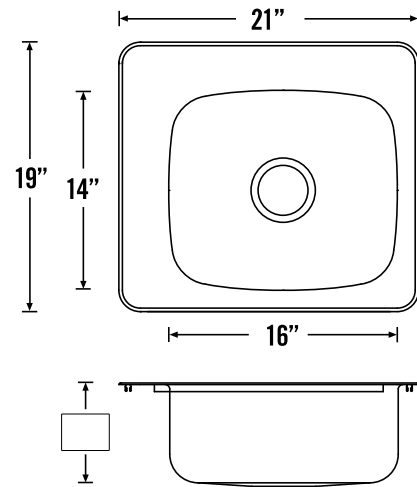
Fixture #



Model 5006, **Single bowl classroom sink with ledge**, 300 or 316 Series stainless steel, 20 gauge (18 gauge available as option A), "U" channel clamp system, self rimming, exposed surfaces finished to a satin finish, 18-8 stainless steel, 1 1/2" waste assembly included.

Outside dimension: 21" x 19" (53cm x 48cm)

Standard bowl depth: 7" (18cm)



NOTES:

GAUGE	LEDGE LOCATION	OVERALL DIMENSIONS				BOWL DIMENSIONS				BOWL DEPTH			
		Left to Right		Front to Back		Left to Right		Front to Back		Standard		Maximum	
20	LEFT & TOP	21"	53cm	19"	48cm	16"	41cm	14"	36cm	7"	18cm	10"	25cm

OPTIONS (check the option(s) you would like and indicate your choices above)

- | | | |
|---|---|--|
| <input type="checkbox"/> A (18 Gauge) | <input type="checkbox"/> F (Left Waste) | <input type="checkbox"/> J (10" Depth) |
| <input type="checkbox"/> B (Mirror Ledge) | <input type="checkbox"/> G (Right Waste) | <input type="checkbox"/> K (12" Depth) |
| <input type="checkbox"/> D (1 1/2" Strainer) | <input type="checkbox"/> H (Stand pipe overflow) | <input type="checkbox"/> OV (Overflow Assembly) |
| <input type="checkbox"/> E (Centre Waste) | <input type="checkbox"/> I (8" Depth) | <input type="checkbox"/> VP (Vandal Resistant Strainer) |

HOLE DRILLINGS

Hole Configuration:	#s to Enter Above	Check here for hole selection
1 hole	<input type="text" value="1"/> <input type="text" value="0"/>	<input type="checkbox"/>
2 hole, 4" (10cm) centre	<input type="text" value="2"/> <input type="text" value="4"/>	<input type="checkbox"/>
3 hole, 4" (10cm) centre	<input type="text" value="3"/> <input type="text" value="4"/>	<input type="checkbox"/>
2 hole, 8" (20cm) centre	<input type="text" value="2"/> <input type="text" value="8"/>	<input type="checkbox"/>
3 hole, 8" (20cm) centre	<input type="text" value="3"/> <input type="text" value="8"/>	<input type="checkbox"/>
Special Holes*	<input type="text" value="S"/> <input type="text" value="H"/>	<input type="checkbox"/>

*Drawings must be included

Engineer's Approval

Novanni has a policy of continuous improvement. All product specifications may change without notice.