

Project Number: \_\_\_\_\_

Project Name: \_\_\_\_\_

23 3/8" x 14 1/4"

Fixture #

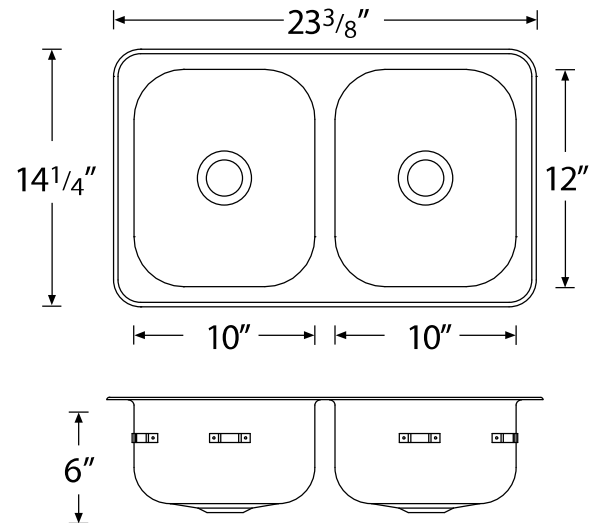


Model 2000, **Double bowl less ledge**, 300 or 316 Series stainless steel, 20 gauge, Off the bowl clamp system, self rimming, SynkSeal™ foam in place gasket installed, exposed surfaces finished to a satin finish, 18-8 stainless steel, 3 1/2" or 1 1/2" stainless steel waste assembly included.

Outside dimension: 23 3/8" x 14 1/4" (59cm x 36cm)  
 Bowl depth: 6" (15cm)

NOTES:

\_\_\_\_\_  
 \_\_\_\_\_  
 \_\_\_\_\_  
 \_\_\_\_\_



GAUGE	OVERALL DIMENSIONS		BOWL DIMENSIONS				BOWL DEPTH			
	Left to Right	Front to Back	Left to Right	Front to Back	Left to Right	Front to Back	Left to Right	Front to Back		
20	23 3/8"	59cm	14 1/4"	36cm	10"	25cm	12"	30cm	6"	15cm

**OPTIONS** (check the option(s) you would like and indicate your choices above)

- |  |   |  |
|--|---|--|
| <input type="checkbox"/> <b>A</b> (18 Gauge)                   | <input type="checkbox"/> <b>F</b> (Left Rear Waste)     | <input type="checkbox"/> <b>J</b> (10" Depth)                  |
| <input type="checkbox"/> <b>B</b> (Mirror Ledge)               | <input type="checkbox"/> <b>G</b> (Right Rear Waste)    | <input type="checkbox"/> <b>K</b> (12" Depth)                  |
| <input checked="" type="checkbox"/> <b>D</b> (1 1/2" Strainer) | <input type="checkbox"/> <b>H</b> (Stand pipe overflow) | <input type="checkbox"/> <b>OV</b> (Overflow Assembly)         |
| <input type="checkbox"/> <b>E</b> (Centre Rear Waste)          | <input type="checkbox"/> <b>I</b> (8" Depth)            | <input type="checkbox"/> <b>VP</b> (Vandal Resistant Strainer) |

Engineer's Approval

\_\_\_\_\_

Novanni has a policy of continuous improvement.  
 All product specifications may change without notice.

Project Number: \_\_\_\_\_

Project Name: \_\_\_\_\_

23 3/8" x 16 1/4"

Fixture #

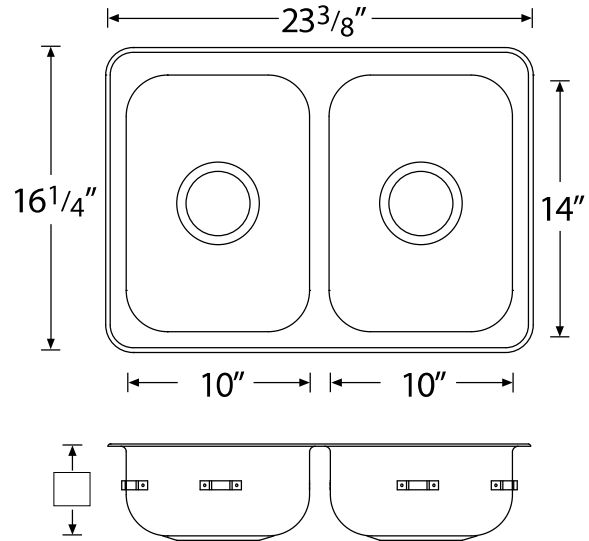


Model 2002, **Double bowl less ledge**, 300 or 316 Series stainless steel, 20 gauge (18 gauge available as option A), Off the bowl clamp system, self rimming, SynkSeal™ foam in place gasket installed, exposed surfaces finished to a satin finish, 18-8 stainless steel, 3 1/2" or 1 1/2" stainless steel waste assembly included.

Outside dimension: 23 3/8" x 16 1/4" (59cm x 41cm)  
 Standard bowl depth: 5" (13cm)

NOTES:

\_\_\_\_\_  
 \_\_\_\_\_  
 \_\_\_\_\_  
 \_\_\_\_\_



GAUGE	OVERALL DIMENSIONS		BOWL DIMENSIONS				BOWL DEPTH					
	Left to Right	Front to Back	Left to Right	Front to Back	Standard	Maximum						
20	23 3/8"	59cm	16 1/4"	41cm	10"	25cm	14"	36cm	5"	13cm	10"	25cm

**OPTIONS** (check the option(s) you would like and indicate your choices above)

- |   |   |  |
|---|---|--|
| <input type="checkbox"/> <b>A</b> (18 Gauge)          | <input type="checkbox"/> <b>F</b> (Left Rear Waste)     | <input type="checkbox"/> <b>J</b> (10" Depth)                  |
| <input type="checkbox"/> <b>B</b> (Mirror Ledge)      | <input type="checkbox"/> <b>G</b> (Right Rear Waste)    | <input type="checkbox"/> <b>K</b> (12" Depth)                  |
| <input type="checkbox"/> <b>D</b> (1 1/2" Strainer)   | <input type="checkbox"/> <b>H</b> (Stand pipe overflow) | <input type="checkbox"/> <b>OV</b> (Overflow Assembly)         |
| <input type="checkbox"/> <b>E</b> (Centre Rear Waste) | <input type="checkbox"/> <b>I</b> (8" Depth)            | <input type="checkbox"/> <b>VP</b> (Vandal Resistant Strainer) |

Engineer's Approval

\_\_\_\_\_  
 \_\_\_\_\_  
 \_\_\_\_\_

Novanni has a policy of continuous improvement.  
 All product specifications may change without notice.

Project Number: \_\_\_\_\_

Project Name: \_\_\_\_\_

**31" x 18"**

Fixture #

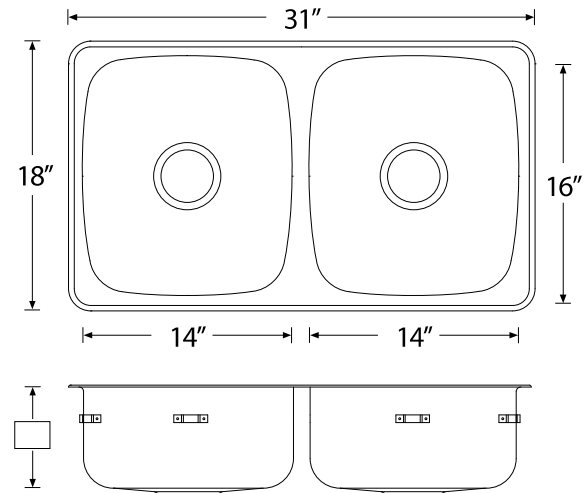


Model 2010, **Double bowl less ledge**, 300 or 316 Series stainless steel, 20 gauge (18 gauge available as option A), Off the bowl clamp system, self rimming, SynkSeal™ foam in place gasket installed, exposed surfaces finished to a satin finish, 18-8 stainless steel, 3 1/2" or 1 1/2" stainless steel waste assembly included.

Outside dimension: 31" x 18" (79cm x 46cm)  
 Standard bowl depth: 7" (18cm)

NOTES:

\_\_\_\_\_  
 \_\_\_\_\_  
 \_\_\_\_\_  
 \_\_\_\_\_



GAUGE	OVERALL DIMENSIONS				BOWL DIMENSIONS				BOWL DEPTH			
	Left to Right		Front to Back		Left to Right		Front to Back		Standard		Maximum	
20	31"	79cm	18"	46cm	14"	36cm	16"	41cm	7"	18cm	10"	25cm

**OPTIONS** (check the option(s) you would like and indicate your choices above)

- |   |  |  |
|---|--|--|
| <input type="checkbox"/> <b>A</b> (18 Gauge)          | <input type="checkbox"/> <b>F</b> (Left Rear Waste)                    | <input type="checkbox"/> <b>J</b> (10" Depth)                  |
| <input type="checkbox"/> <b>B</b> (Mirror Ledge)      | <input type="checkbox"/> <b>G</b> (Right Rear Waste)                   | <input checked="" type="checkbox"/> <b>N/A K</b> (12" Depth)   |
| <input type="checkbox"/> <b>D</b> (1 1/2" Strainer)   | <input checked="" type="checkbox"/> <b>N/A H</b> (Stand pipe overflow) | <input type="checkbox"/> <b>OV</b> (Overflow Assembly)         |
| <input type="checkbox"/> <b>E</b> (Centre Rear Waste) | <input type="checkbox"/> <b>I</b> (8" Depth)                           | <input type="checkbox"/> <b>VP</b> (Vandal Resistant Strainer) |

Engineer's Approval

\_\_\_\_\_  
 \_\_\_\_\_  
 \_\_\_\_\_

Novanni has a policy of continuous improvement.  
 All product specifications may change without notice.

Project Number: \_\_\_\_\_

Project Name: \_\_\_\_\_

35 1/4" x 20 1/8"

Fixture #

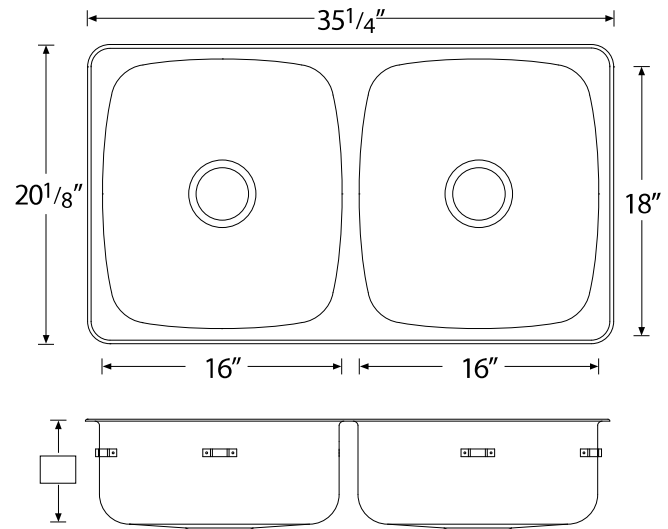


Model 2016, **Double bowl less ledge**, 300 or 316 Series stainless steel, 20 gauge (18 gauge available as option A), Off the bowl clamp system, self rimming, SynkSeal™ foam in place gasket installed, exposed surfaces finished to a satin finish, 18-8 stainless steel, 3 1/2" or 1 1/2" stainless steel waste assembly included.

Outside dimension: 35 1/4" x 20 1/8" (90cm x 51cm)  
 Standard bowl depth: 7" (18cm)

NOTES:

\_\_\_\_\_  
 \_\_\_\_\_  
 \_\_\_\_\_  
 \_\_\_\_\_



GAUGE	OVERALL DIMENSIONS		BOWL DIMENSIONS				BOWL DEPTH					
	Left to Right	Front to Back	Left to Right	Front to Back	Standard	Maximum						
20	35 1/4"	90cm	20 1/8"	51cm	16"	41cm	18"	46cm	7"	18cm	10"	25cm

**OPTIONS** (check the option(s) you would like and indicate your choices above)

- |   |   |  |
|---|---|--|
| <input type="checkbox"/> <b>A</b> (18 Gauge)          | <input type="checkbox"/> <b>F</b> (Left Rear Waste)         | <input type="checkbox"/> <b>J</b> (10" Depth)                  |
| <input type="checkbox"/> <b>N/A B</b> (Mirror Ledge)  | <input type="checkbox"/> <b>G</b> (Right Rear Waste)        | <input type="checkbox"/> <b>N/A K</b> (12" Depth)              |
| <input type="checkbox"/> <b>D</b> (1 1/2" Strainer)   | <input type="checkbox"/> <b>N/A H</b> (Stand pipe overflow) | <input type="checkbox"/> <b>OV</b> (Overflow Assembly)         |
| <input type="checkbox"/> <b>E</b> (Centre Rear Waste) | <input type="checkbox"/> <b>I</b> (8" Depth)                | <input type="checkbox"/> <b>VP</b> (Vandal Resistant Strainer) |

Engineer's Approval

\_\_\_\_\_

Novanni has a policy of continuous improvement.  
 All product specifications may change without notice.

Project Number: \_\_\_\_\_

Project Name: \_\_\_\_\_

35 1/4" x 23 1/4"



Fixture #

Model 2020, **Double bowl less ledge**, 300 or 316 Series stainless steel, 20 gauge (18 gauge available as option A), Off the bowl clamp system, self rimming, SynkSeal™ foam in place gasket installed, exposed surfaces finished to a satin finish, 18-8 stainless steel, 3 1/2" or 1 1/2" stainless steel waste assembly included.

Outside dimension: 35 1/4" x 23 1/4" (90cm x 59cm)  
 Standard bowl depth: 7" (18cm)

NOTES:

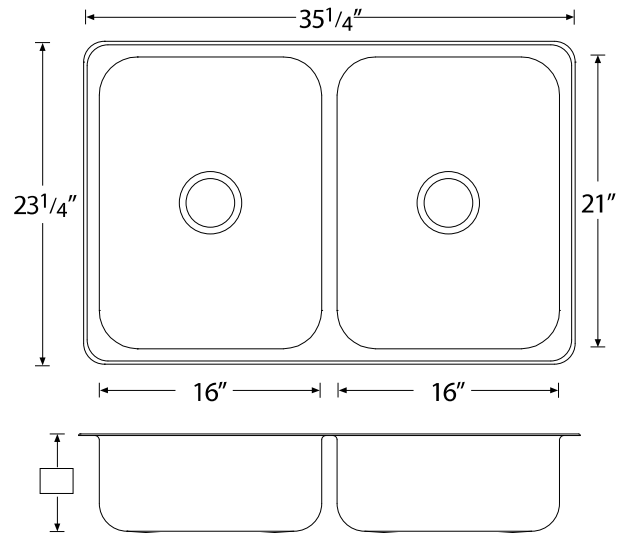
---

---

---

---

---



GAUGE	OVERALL DIMENSIONS				BOWL DIMENSIONS				BOWL DEPTH			
	Left to Right		Front to Back		Left to Right		Front to Back		Standard		Maximum	
20	35 1/4"	90cm	23 1/4"	59cm	16"	41cm	21"	53cm	7"	18cm	12"	30cm

**OPTIONS** (check the option(s) you would like and indicate your choices above)

- |   |   |  |
|---|---|--|
| <input type="checkbox"/> <b>A</b> (18 Gauge)          | <input type="checkbox"/> <b>F</b> (Left Rear Waste)     | <input type="checkbox"/> <b>J</b> (10" Depth)                  |
| <input type="checkbox"/> <b>B</b> (Mirror Ledge)      | <input type="checkbox"/> <b>G</b> (Right Rear Waste)    | <input type="checkbox"/> <b>K</b> (12" Depth)                  |
| <input type="checkbox"/> <b>D</b> (1 1/2" Strainer)   | <input type="checkbox"/> <b>H</b> (Stand pipe overflow) | <input type="checkbox"/> <b>OV</b> (Overflow Assembly)         |
| <input type="checkbox"/> <b>E</b> (Centre Rear Waste) | <input type="checkbox"/> <b>I</b> (8" Depth)            | <input type="checkbox"/> <b>VP</b> (Vandal Resistant Strainer) |

Engineer's Approval

Novanni has a policy of continuous improvement.  
 All product specifications may change without notice.

Project Number: \_\_\_\_\_

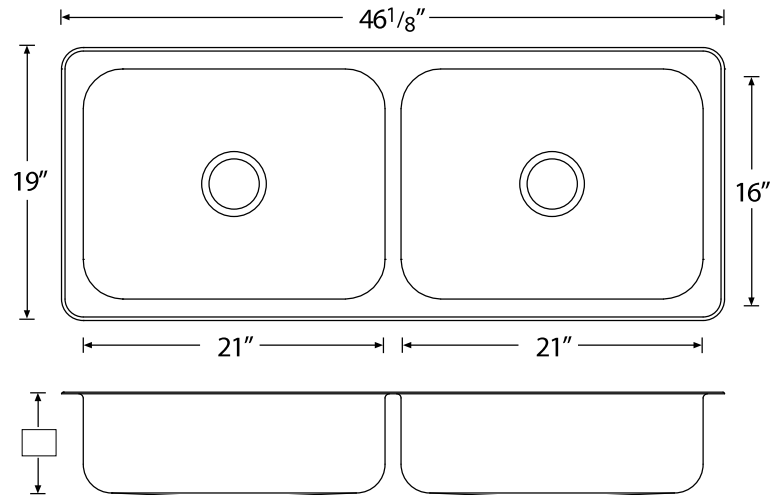
Project Name: \_\_\_\_\_

46 1/8" x 19"

Fixture #

Model 2024, **Double bowl less ledge**, 300 or 316 Series stainless, 18 gauge, "U" channel clamp system, self rimming, exposed surfaces finished to a satin finish, 18-8 stainless steel, 3 1/2" or 1 1/2" stainless steel waste assembly included.

Outside dimension: 46 1/8" x 19" (117cm x 48cm)  
 Standard bowl depth: 7" (18cm)



NOTES:

\_\_\_\_\_  
 \_\_\_\_\_  
 \_\_\_\_\_  
 \_\_\_\_\_

GAUGE	OVERALL DIMENSIONS		BOWL DIMENSIONS				BOWL DEPTH					
	Left to Right	Front to Back	Left to Right	Front to Back	Standard	Maximum						
18	46 1/8"	117cm	19"	48cm	21"	53cm	16"	41cm	7"	18cm	12"	30cm

**OPTIONS** (check the option(s) you would like and indicate your choices above)

- |   |   |  |
|---|---|--|
| <input checked="" type="checkbox"/> <b>A</b> (18 Gauge) | <input type="checkbox"/> <b>F</b> (Left Rear Waste)     | <input type="checkbox"/> <b>J</b> (10" Depth)                  |
| <input type="checkbox"/> <b>B</b> (Mirror Ledge)        | <input type="checkbox"/> <b>G</b> (Right Rear Waste)    | <input type="checkbox"/> <b>K</b> (12" Depth)                  |
| <input type="checkbox"/> <b>D</b> (1 1/2" Strainer)     | <input type="checkbox"/> <b>H</b> (Stand pipe overflow) | <input type="checkbox"/> <b>OV</b> (Overflow Assembly)         |
| <input type="checkbox"/> <b>E</b> (Centre Rear Waste)   | <input type="checkbox"/> <b>I</b> (8" Depth)            | <input type="checkbox"/> <b>VP</b> (Vandal Resistant Strainer) |

Engineer's Approval

Novanni has a policy of continuous improvement.  
 All product specifications may change without notice.

Project Number: \_\_\_\_\_

Project Name: \_\_\_\_\_

39" x 22 1/2"

Fixture #

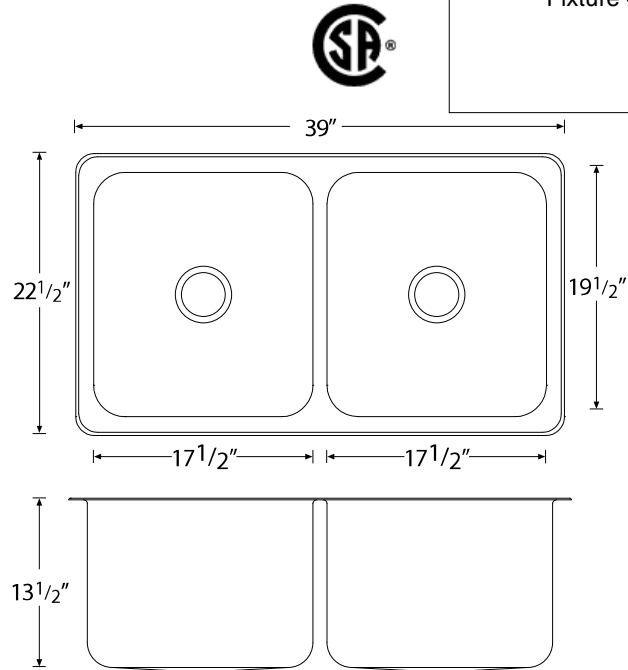
Model 2026, **Double bowl less ledge**, 300 or 316 Series stainless steel, 16 gauge, "U" channel clamp system, self rimming, exposed surfaces finished to a satin finish, 18-8 stainless steel, 3 1/2" or 1 1/2" stainless steel waste assembly included.

Outside dimension: 39" x 22 1/2" (99cm x 57cm)

Bowl depth: 13 1/2" (34cm)

NOTES:

\_\_\_\_\_  
 \_\_\_\_\_  
 \_\_\_\_\_  
 \_\_\_\_\_



GAUGE	OVERALL DIMENSIONS				BOWL DIMENSIONS				BOWL DEPTH	
	Left to Right		Front to Back		Left to Right		Front to Back		13 1/2"	34cm
16	39"	99cm	22 1/2"	57cm	17 1/2"	44cm	19 1/2"	50cm		

**OPTIONS** (check the option(s) you would like and indicate your choices above)

- |   |   |  |
|---|---|--|
| <input type="checkbox"/> <b>A</b> (18 Gauge)          | <input type="checkbox"/> <b>F</b> (Left Rear Waste)     | <input type="checkbox"/> <b>J</b> (10" Depth)                  |
| <input type="checkbox"/> <b>B</b> (Mirror Ledge)      | <input type="checkbox"/> <b>G</b> (Right Rear Waste)    | <input type="checkbox"/> <b>K</b> (12" Depth)                  |
| <input type="checkbox"/> <b>D</b> (1 1/2" Strainer)   | <input type="checkbox"/> <b>H</b> (Stand pipe overflow) | <input type="checkbox"/> <b>OV</b> (Overflow Assembly)         |
| <input type="checkbox"/> <b>E</b> (Centre Rear Waste) | <input type="checkbox"/> <b>I</b> (8" Depth)            | <input type="checkbox"/> <b>VP</b> (Vandal Resistant Strainer) |

Engineer's Approval

\_\_\_\_\_  
 \_\_\_\_\_  
 \_\_\_\_\_

Novanni has a policy of continuous improvement.  
 All product specifications may change without notice.

Project Number: \_\_\_\_\_

Project Name: \_\_\_\_\_

58 1/8" x 18"

Fixture #

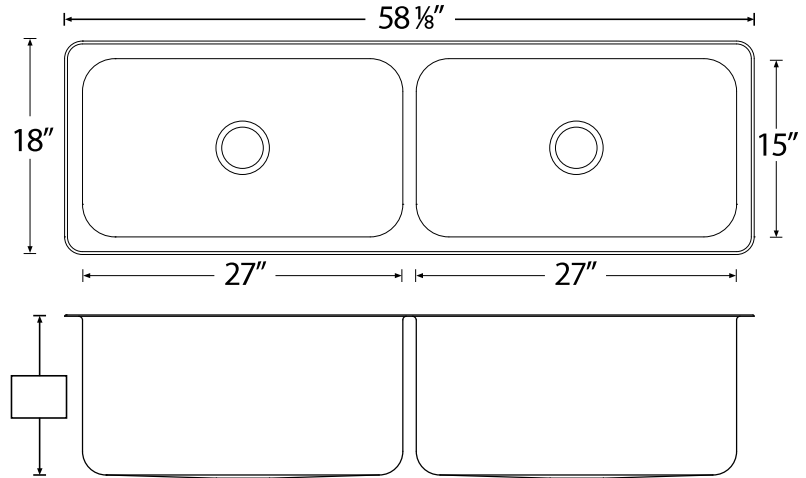


Model 2028, **Double bowl less ledge**, 300 or 316 Series stainless steel, 18 gauge, "U" channel clamp system, self rimming, exposed surfaces finished to a satin finish, 18-8 stainless steel, 3 1/2" or 1 1/2" stainless steel waste assembly included.

Outside dimension: 58 1/8" x 18" (147cm x 46cm)  
 Standard bowl depth: 7" (18cm)

NOTES:

\_\_\_\_\_  
 \_\_\_\_\_  
 \_\_\_\_\_  
 \_\_\_\_\_



GAUGE	OVERALL DIMENSIONS		BOWL DIMENSIONS				BOWL DEPTH					
	Left to Right	Front to Back	Left to Right	Front to Back	Standard	Maximum						
18	58 1/8"	147cm	18"	46cm	27"	69cm	15"	38cm	7"	18cm	10"	25cm

**OPTIONS** (check the option(s) you would like and indicate your choices above)

- |   |   |  |
|---|---|--|
| <input checked="" type="checkbox"/> <b>A</b> (18 Gauge) | <input type="checkbox"/> <b>F</b> (Left Rear Waste)     | <input type="checkbox"/> <b>J</b> (10" Depth)                  |
| <input type="checkbox"/> <b>B</b> (Mirror Ledge)        | <input type="checkbox"/> <b>G</b> (Right Rear Waste)    | <input type="checkbox"/> <b>K</b> (12" Depth)                  |
| <input type="checkbox"/> <b>D</b> (1 1/2" Strainer)     | <input type="checkbox"/> <b>H</b> (Stand pipe overflow) | <input type="checkbox"/> <b>OV</b> (Overflow Assembly)         |
| <input type="checkbox"/> <b>E</b> (Centre Rear Waste)   | <input type="checkbox"/> <b>I</b> (8" Depth)            | <input type="checkbox"/> <b>VP</b> (Vandal Resistant Strainer) |

Engineer's Approval

Novanni has a policy of continuous improvement.  
 All product specifications may change without notice.

Project Number: \_\_\_\_\_

Project Name: \_\_\_\_\_

52 1/8" x 21"

Fixture #

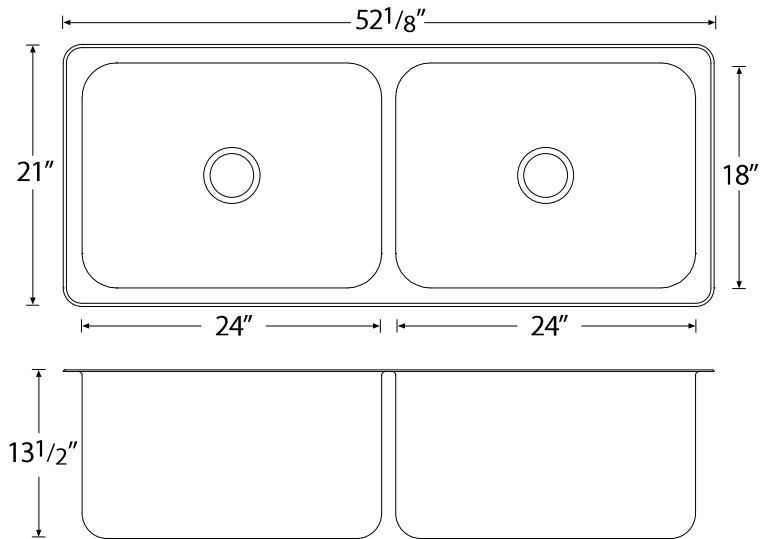


Model 2030, **Double bowl less ledge**, 300 or 316 Series stainless steel, 16 gauge, "U" channel clamp system, self rimming, exposed surfaces finished to a satin finish, 18-8 stainless steel, 3 1/2" or 1 1/2" stainless steel waste assembly included.

Outside dimension: 52 1/8" x 21" (132cm x 53cm)  
 Bowl depth: 13 1/2" (34cm)

NOTES:

\_\_\_\_\_  
 \_\_\_\_\_  
 \_\_\_\_\_  
 \_\_\_\_\_



GAUGE	OVERALL DIMENSIONS		BOWL DIMENSIONS		BOWL DEPTH	
	Left to Right	Front to Back	Left to Right	Front to Back		
16	52 1/8"	132cm	24"	61cm	18"	46cm
					13 1/2"	34cm

**OPTIONS** (check the option(s) you would like and indicate your choices above)

- |   |   |  |
|---|---|--|
| <input type="checkbox"/> <b>A</b> (18 Gauge)          | <input type="checkbox"/> <b>F</b> (Left Rear Waste)     | <input type="checkbox"/> <b>J</b> (10" Depth)                  |
| <input type="checkbox"/> <b>B</b> (Mirror Ledge)      | <input type="checkbox"/> <b>G</b> (Right Rear Waste)    | <input type="checkbox"/> <b>K</b> (12" Depth)                  |
| <input type="checkbox"/> <b>D</b> (1 1/2" Strainer)   | <input type="checkbox"/> <b>H</b> (Stand pipe overflow) | <input type="checkbox"/> <b>OV</b> (Overflow Assembly)         |
| <input type="checkbox"/> <b>E</b> (Centre Rear Waste) | <input type="checkbox"/> <b>I</b> (8" Depth)            | <input type="checkbox"/> <b>VP</b> (Vandal Resistant Strainer) |

Engineer's Approval

Novanni has a policy of continuous improvement.  
 All product specifications may change without notice.