

Project Number: \_\_\_\_\_  
 Project Name: \_\_\_\_\_

23 3/8" x 16 5/8"

Model 2001, **Double bowl with ledge**, 300 or 316 Series stainless steel, 20 gauge, Off the bowl clamp system, self rimming, SynkSeal™ foam in place gasket installed, exposed surfaces finished to a satin finish, 18-8 stainless steel, 3 1/2" or 1 1/2" stainless steel waste assembly included.

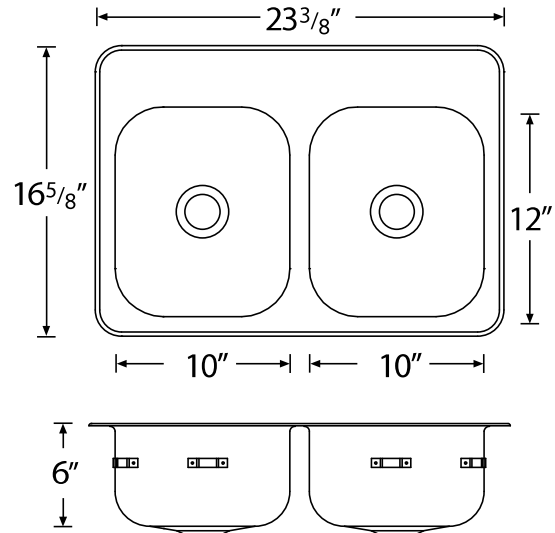
Outside dimension: 23 3/8" x 16 5/8" (59cm x 42cm)  
 Bowl depth: 6" (15cm)

NOTES:

\_\_\_\_\_  
 \_\_\_\_\_  
 \_\_\_\_\_  
 \_\_\_\_\_



Fixture #  
 \_\_\_\_\_



GAUGE	OVERALL DIMENSIONS		BOWL DIMENSIONS				BOWL DEPTH			
	Left to Right		Front to Back		Left to Right		Front to Back			
20	23 3/8"	59cm	16 5/8"	42cm	10"	25cm	12"	30cm	6"	15cm

**OPTIONS** (check the option(s) you would like and indicate your choices above)

- |   |   |  |
|---|---|--|
| <input type="checkbox"/> <b>A</b> (18 Gauge)          | <input type="checkbox"/> <b>F</b> (Left Rear Waste)     | <input type="checkbox"/> <b>J</b> (10" Depth)                  |
| <input type="checkbox"/> <b>B</b> (Mirror Ledge)      | <input type="checkbox"/> <b>G</b> (Right Rear Waste)    | <input type="checkbox"/> <b>K</b> (12" Depth)                  |
| <input type="checkbox"/> <b>D</b> (1 1/2" Strainer)   | <input type="checkbox"/> <b>H</b> (Stand pipe overflow) | <input type="checkbox"/> <b>OV</b> (Overflow Assembly)         |
| <input type="checkbox"/> <b>E</b> (Centre Rear Waste) | <input type="checkbox"/> <b>I</b> (8" Depth)            | <input type="checkbox"/> <b>VP</b> (Vandal Resistant Strainer) |

**HOLE DRILLINGS**

Hole Configuration:	#s to Enter Above	Check here for hole selection
1 hole	<input type="text" value="1"/> <input type="text" value="0"/>	<input type="checkbox"/>
2 hole, 4" (10cm) centre	<input type="text" value="2"/> <input type="text" value="4"/>	<input type="checkbox"/>
3 hole, 4" (10cm) centre	<input type="text" value="3"/> <input type="text" value="4"/>	<input type="checkbox"/>
2 hole, 8" (20cm) centre	<input type="text" value="2"/> <input type="text" value="8"/>	<input type="checkbox"/>
3 hole, 8" (20cm) centre	<input type="text" value="3"/> <input type="text" value="8"/>	<input type="checkbox"/>
Special Holes*	<input type="text" value="S"/> <input type="text" value="H"/>	<input type="checkbox"/>

\*Drawings must be included

Engineer's Approval

\_\_\_\_\_  
 \_\_\_\_\_

Novanni has a policy of continuous improvement. All product specifications may change without notice.

Project Number: \_\_\_\_\_

Project Name: \_\_\_\_\_

23 3/8" x 18 5/8"

Fixture #

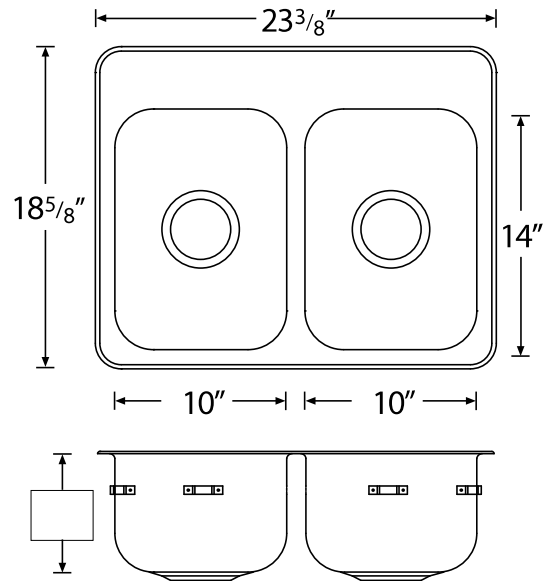


Model 2003, **Double bowl with ledge**, 300 or 316 Series stainless steel, 20 gauge (18 gauge available as option A), Off the bowl clamp system, self rimming, SynkSeal™ foam in place gasket installed, exposed surfaces finished to a satin finish, 18-8 stainless steel, 3 1/2" or 1 1/2" stainless steel waste assembly included.

Outside dimension: 23 3/8" x 18 5/8" (59cm x 47cm)  
 Standard bowl depth: 7" (18cm)

NOTES:

\_\_\_\_\_  
 \_\_\_\_\_  
 \_\_\_\_\_  
 \_\_\_\_\_



GAUGE	OVERALL DIMENSIONS				BOWL DIMENSIONS				BOWL DEPTH			
	Left to Right		Front to Back		Left to Right		Front to Back		Standard		Maximum	
20	23 3/8"	59cm	18 5/8"	47cm	10"	25cm	14"	36cm	7"	18cm	10"	25cm

**OPTIONS** (check the option(s) you would like and indicate your choices above)

- |   |   |  |
|---|---|--|
| <input type="checkbox"/> <b>A</b> (18 Gauge)          | <input type="checkbox"/> <b>F</b> (Left Rear Waste)     | <input type="checkbox"/> <b>J</b> (10" Depth)                  |
| <input type="checkbox"/> <b>B</b> (Mirror Ledge)      | <input type="checkbox"/> <b>G</b> (Right Rear Waste)    | <input type="checkbox"/> <b>K</b> (12" Depth)                  |
| <input type="checkbox"/> <b>D</b> (1 1/2" Strainer)   | <input type="checkbox"/> <b>H</b> (Stand pipe overflow) | <input type="checkbox"/> <b>OV</b> (Overflow Assembly)         |
| <input type="checkbox"/> <b>E</b> (Centre Rear Waste) | <input type="checkbox"/> <b>I</b> (8" Depth)            | <input type="checkbox"/> <b>VP</b> (Vandal Resistant Strainer) |

**HOLE DRILLINGS**

Hole Configuration:	#s to Enter Above	Check here for hole selection
1 hole	<input type="text" value="1"/> <input type="text" value="0"/>	<input type="checkbox"/>
2 hole, 4" (10cm) centre	<input type="text" value="2"/> <input type="text" value="4"/>	<input type="checkbox"/>
3 hole, 4" (10cm) centre	<input type="text" value="3"/> <input type="text" value="4"/>	<input type="checkbox"/>
2 hole, 8" (20cm) centre	<input type="text" value="2"/> <input type="text" value="8"/>	<input type="checkbox"/>
3 hole, 8" (20cm) centre	<input type="text" value="3"/> <input type="text" value="8"/>	<input type="checkbox"/>
Special Holes*	<input type="text" value="S"/> <input type="text" value="H"/>	<input type="checkbox"/>

\*Drawings must be included

Engineer's Approval

\_\_\_\_\_  
 \_\_\_\_\_

Novanni has a policy of continuous improvement. All product specifications may change without notice.

Project Number: \_\_\_\_\_

Project Name: \_\_\_\_\_

31 1/8" x 20 5/8"

Fixture #

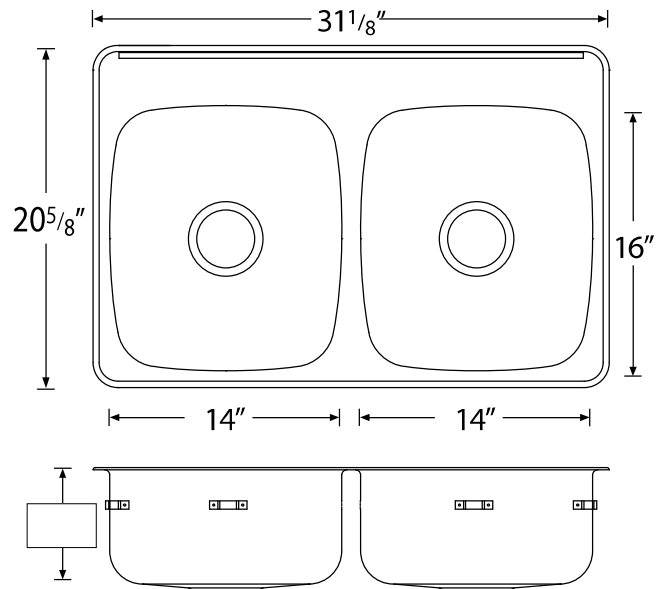


Model 2007, **Double bowl with ledge**, 300 or 316 Series stainless steel, 20 gauge (18 gauge available as option A), Off the bowl clamp system, self rimming, SynkSeal™ foam in place gasket installed, exposed surfaces finished to a satin finish, 18-8 stainless steel, 3 1/2" or 1 1/2" stainless steel waste assembly included.

Outside dimension: 31 1/8" x 20 5/8" (79cm x 52cm)  
 Bowl depth: 7" (18cm)

NOTES:

\_\_\_\_\_  
 \_\_\_\_\_  
 \_\_\_\_\_



GAUGE	OVERALL DIMENSIONS		BOWL DIMENSIONS				BOWL DEPTH					
	Left to Right	Front to Back	Left to Right	Front to Back	Standard	Maximum						
20	31 1/8"	79cm	20 5/8"	52cm	14"	36cm	16"	41cm	7"	18cm	10"	25cm

**OPTIONS** (check the option(s) you would like and indicate your choices above)

- |   |   |  |
|---|---|--|
| <input type="checkbox"/> <b>A</b> (18 Gauge)          | <input type="checkbox"/> <b>N/A F</b> (Left Rear Waste)     | <input type="checkbox"/> <b>J</b> (10" Depth)                  |
| <input type="checkbox"/> <b>B</b> (Mirror Ledge)      | <input type="checkbox"/> <b>N/A G</b> (Right Rear Waste)    | <input type="checkbox"/> <b>N/A K</b> (12" Depth)              |
| <input type="checkbox"/> <b>D</b> (1 1/2" Strainer)   | <input type="checkbox"/> <b>N/A H</b> (Stand pipe overflow) | <input type="checkbox"/> <b>OV</b> (Overflow Assembly)         |
| <input type="checkbox"/> <b>E</b> (Centre Rear Waste) | <input type="checkbox"/> <b>I</b> (8" Depth)                | <input type="checkbox"/> <b>VP</b> (Vandal Resistant Strainer) |

**HOLE DRILLINGS**

Hole Configuration:	#s to Enter Above	Check here for hole selection
1 hole	<input type="text" value="1"/> <input type="text" value="0"/>	<input type="checkbox"/>
2 hole, 4" (10cm) centre	<input type="text" value="2"/> <input type="text" value="4"/>	<input type="checkbox"/>
3 hole, 4" (10cm) centre	<input type="text" value="3"/> <input type="text" value="4"/>	<input type="checkbox"/>
2 hole, 8" (20cm) centre	<input type="text" value="2"/> <input type="text" value="8"/>	<input type="checkbox"/>
3 hole, 8" (20cm) centre	<input type="text" value="3"/> <input type="text" value="8"/>	<input type="checkbox"/>
Special Holes*	<input type="text" value="S"/> <input type="text" value="H"/>	<input type="checkbox"/>

\*Drawings must be included

Engineer's Approval

\_\_\_\_\_  
 \_\_\_\_\_

Novanni has a policy of continuous improvement. All product specifications may change without notice.

Project Number: \_\_\_\_\_  
 Project Name: \_\_\_\_\_

39 3/8" x 20 5/8"



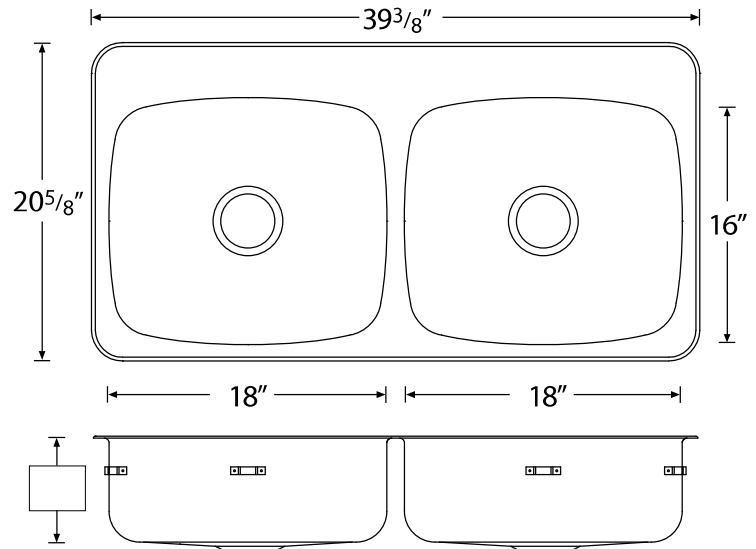
Fixture #

Model 2013, **Double bowl with ledge**, 300 or 316 Series stainless steel, 20 gauge (18 gauge available as option A), Off the bowl clamp system, self rimming, exposed surfaces finished to a satin finish, 18-8 stainless steel, 3 1/2" or 1 1/2" stainless steel waste assembly included.

Outside dimension: 39 3/8" x 20 5/8" (100cm x 52cm)  
 Standard bowl depth: 7" (18cm)

NOTES:

\_\_\_\_\_  
 \_\_\_\_\_  
 \_\_\_\_\_  
 \_\_\_\_\_



GAUGE	OVERALL DIMENSIONS		BOWL DIMENSIONS				BOWL DEPTH					
	Left to Right		Front to Back		Left to Right	Front to Back	Standard	Maximum				
20	39 3/8"	100cm	20 5/8"	52cm	18"	46cm	16"	41cm	7"	18cm	10"	25cm

**OPTIONS** (check the option(s) you would like and indicate your choices above)

- |   |   |  |
|---|---|--|
| <input type="checkbox"/> <b>A</b> (18 Gauge)          | <input type="checkbox"/> <b>F</b> (Left Rear Waste)         | <input type="checkbox"/> <b>J</b> (10" Depth)                  |
| <input type="checkbox"/> <b>N/A B</b> (Mirror Ledge)  | <input type="checkbox"/> <b>G</b> (Right Rear Waste)        | <input type="checkbox"/> <b>N/A K</b> (12" Depth)              |
| <input type="checkbox"/> <b>D</b> (1 1/2" Strainer)   | <input type="checkbox"/> <b>N/A H</b> (Stand pipe overflow) | <input type="checkbox"/> <b>OV</b> (Overflow Assembly)         |
| <input type="checkbox"/> <b>E</b> (Centre Rear Waste) | <input type="checkbox"/> <b>I</b> (8" Depth)                | <input type="checkbox"/> <b>VP</b> (Vandal Resistant Strainer) |

**HOLE DRILLINGS**

Hole Configuration:	#s to Enter Above	Check here for hole selection
1 hole	<input type="text" value="1"/> <input type="text" value="0"/>	<input type="checkbox"/>
2 hole, 4" (10cm) centre	<input type="text" value="2"/> <input type="text" value="4"/>	<input type="checkbox"/>
3 hole, 4" (10cm) centre	<input type="text" value="3"/> <input type="text" value="4"/>	<input type="checkbox"/>
2 hole, 8" (20cm) centre	<input type="text" value="2"/> <input type="text" value="8"/>	<input type="checkbox"/>
3 hole, 8" (20cm) centre	<input type="text" value="3"/> <input type="text" value="8"/>	<input type="checkbox"/>
Special Holes*	<input type="text" value="S"/> <input type="text" value="H"/>	<input type="checkbox"/>

\*Drawings must be included

Engineer's Approval

Novanni has a policy of continuous improvement. All product specifications may change without notice.

Project Number: \_\_\_\_\_  
 Project Name: \_\_\_\_\_

46 1/8" x 21"



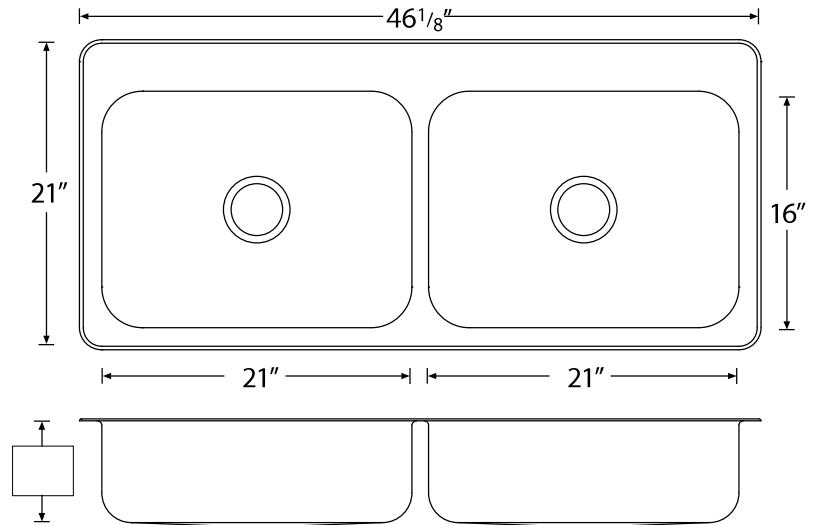
Fixture #

Model 2015, **Double bowl with ledge**, 300 or 316 Series stainless steel, 20 gauge (18 gauge available as option A), "U" channel clamp system, self rimming, exposed surfaces finished to a satin finish, 18-8 stainless steel, 3 1/2" or 1 1/2" stainless steel waste assembly included.

Outside dimension: 46 1/8" x 21" (117cm x 53cm)  
 Standard bowl depth: 7" (18cm)

NOTES:

\_\_\_\_\_  
 \_\_\_\_\_  
 \_\_\_\_\_  
 \_\_\_\_\_



GAUGE	OVERALL DIMENSIONS				BOWL DIMENSIONS				BOWL DEPTH			
	Left to Right		Front to Back		Left to Right		Front to Back		Standard		Maximum	
20	46 1/8"	117cm	21"	53cm	21"	53cm	16"	41cm	7"	18cm	12"	30cm

**OPTIONS** (check the option(s) you would like and indicate your choices above)

- |   |   |  |
|---|---|--|
| <input type="checkbox"/> <b>A</b> (18 Gauge)          | <input type="checkbox"/> <b>F</b> (Left Rear Waste)         | <input type="checkbox"/> <b>J</b> (10" Depth)                  |
| <input type="checkbox"/> <b>N/A B</b> (Mirror Ledge)  | <input type="checkbox"/> <b>G</b> (Right Rear Waste)        | <input type="checkbox"/> <b>K</b> (12" Depth)                  |
| <input type="checkbox"/> <b>D</b> (1 1/2" Strainer)   | <input type="checkbox"/> <b>N/A H</b> (Stand pipe overflow) | <input type="checkbox"/> <b>OV</b> (Overflow Assembly)         |
| <input type="checkbox"/> <b>E</b> (Centre Rear Waste) | <input type="checkbox"/> <b>I</b> (8" Depth)                | <input type="checkbox"/> <b>VP</b> (Vandal Resistant Strainer) |

**HOLE DRILLINGS**

Hole Configuration:	#s to Enter Above	Check here for hole selection
1 hole	<input type="text" value="1"/> <input type="text" value="0"/>	<input type="checkbox"/>
2 hole, 4" (10cm) centre	<input type="text" value="2"/> <input type="text" value="4"/>	<input type="checkbox"/>
3 hole, 4" (10cm) centre	<input type="text" value="3"/> <input type="text" value="4"/>	<input type="checkbox"/>
2 hole, 8" (20cm) centre	<input type="text" value="2"/> <input type="text" value="8"/>	<input type="checkbox"/>
3 hole, 8" (20cm) centre	<input type="text" value="3"/> <input type="text" value="8"/>	<input type="checkbox"/>
Special Holes*	<input type="text" value="S"/> <input type="text" value="H"/>	<input type="checkbox"/>

\*Drawings must be included

Engineer's Approval

Novanni has a policy of continuous improvement. All product specifications may change without notice.

Project Number: \_\_\_\_\_  
 Project Name: \_\_\_\_\_

**39" x 24"**

Fixture #  
 \_\_\_\_\_

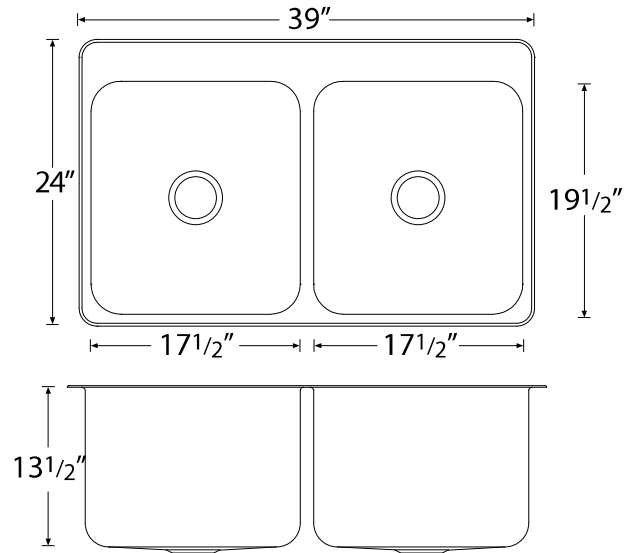


Model 2017, **Double bowl with ledge**, 300 or 316 Series stainless steel, 16 gauge, "U" channel clamp system, self rimming, exposed surfaces finished to a satin finish, 18-8 stainless steel, 3 1/2" or 1 1/2" stainless steel waste assembly included.

Outside dimension: 39" x 24" (99cm x 61cm)  
 Bowl depth: 13 1/2" (34cm)

NOTES:

\_\_\_\_\_  
 \_\_\_\_\_  
 \_\_\_\_\_  
 \_\_\_\_\_



GAUGE	OVERALL DIMENSIONS		BOWL DIMENSIONS				BOWL DEPTH			
	Left to Right	Front to Back	Left to Right	Front to Back	Left to Right	Front to Back	Left to Right	Front to Back		
16	39"	99cm	24"	61cm	17 1/2"	44cm	19 1/2"	50cm	13 1/2"	34cm

**OPTIONS** (check the option(s) you would like and indicate your choices above)

- |   |   |  |
|---|---|--|
| <input type="checkbox"/> <b>A</b> (18 Gauge)          | <input type="checkbox"/> <b>F</b> (Left Rear Waste)     | <input type="checkbox"/> <b>J</b> (10" Depth)                  |
| <input type="checkbox"/> <b>B</b> (Mirror Ledge)      | <input type="checkbox"/> <b>G</b> (Right Rear Waste)    | <input type="checkbox"/> <b>K</b> (12" Depth)                  |
| <input type="checkbox"/> <b>D</b> (1 1/2" Strainer)   | <input type="checkbox"/> <b>H</b> (Stand pipe overflow) | <input type="checkbox"/> <b>OV</b> (Overflow Assembly)         |
| <input type="checkbox"/> <b>E</b> (Centre Rear Waste) | <input type="checkbox"/> <b>I</b> (8" Depth)            | <input type="checkbox"/> <b>VP</b> (Vandal Resistant Strainer) |

**HOLE DRILLINGS**

Hole Configuration:	#s to Enter Above	Check here for hole selection
1 hole	<input type="text" value="1"/> <input type="text" value="0"/>	<input type="checkbox"/>
2 hole, 4" (10cm) centre	<input type="text" value="2"/> <input type="text" value="4"/>	<input type="checkbox"/>
3 hole, 4" (10cm) centre	<input type="text" value="3"/> <input type="text" value="4"/>	<input type="checkbox"/>
2 hole, 8" (20cm) centre	<input type="text" value="2"/> <input type="text" value="8"/>	<input type="checkbox"/>
3 hole, 8" (20cm) centre	<input type="text" value="3"/> <input type="text" value="8"/>	<input type="checkbox"/>
Special Holes*	<input type="text" value="S"/> <input type="text" value="H"/>	<input type="checkbox"/>

\*Drawings must be included

Engineer's Approval

\_\_\_\_\_  
 \_\_\_\_\_

Novanni has a policy of continuous improvement. All product specifications may change without notice.

Project Number: \_\_\_\_\_  
 Project Name: \_\_\_\_\_

58 1/8" x 20"

Fixture #

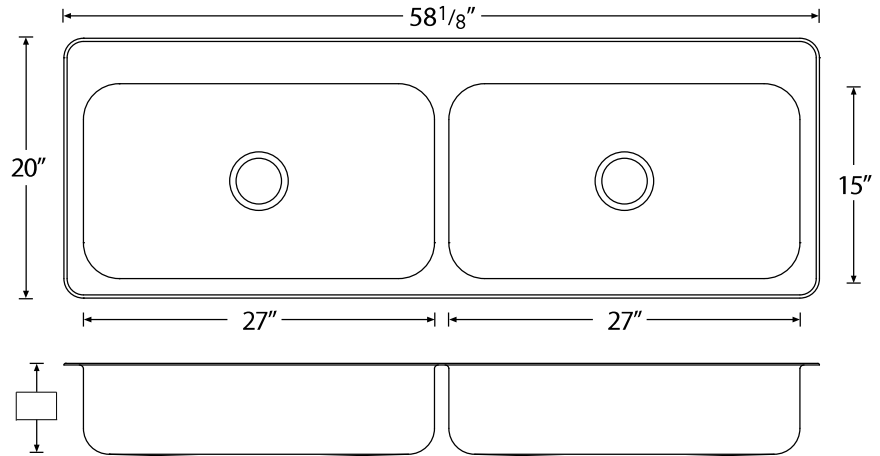


Model 2019, **Double bowl with ledge**, 300 or 316 Series stainless steel, 18 gauge, "U" channel clamp system, self rimming, exposed surfaces finished to a satin finish, 18-8 stainless steel, 3 1/2" or 1 1/2" stainless steel waste assembly included.

Outside dimension: 58 1/8" x 20" (148cm x 51cm)  
 Standard bowl depth: 7" (18cm)

NOTES:

\_\_\_\_\_  
 \_\_\_\_\_  
 \_\_\_\_\_  
 \_\_\_\_\_



GAUGE	OVERALL DIMENSIONS				BOWL DIMENSIONS				BOWL DEPTH			
	Left to Right		Front to Back		Left to Right		Front to Back		Standard		Maximum	
18	58 1/8"	148cm	20"	51cm	27"	69cm	15"	38cm	7"	18cm	10"	30cm

**OPTIONS** (check the option(s) you would like and indicate your choices above)

- |   |   |  |
|---|---|--|
| <input checked="" type="checkbox"/> <b>A</b> (18 Gauge) | <input type="checkbox"/> <b>F</b> (Left Rear Waste)     | <input type="checkbox"/> <b>J</b> (10" Depth)                  |
| <input type="checkbox"/> <b>B</b> (Mirror Ledge)        | <input type="checkbox"/> <b>G</b> (Right Rear Waste)    | <input type="checkbox"/> <b>K</b> (12" Depth)                  |
| <input type="checkbox"/> <b>D</b> (1 1/2" Strainer)     | <input type="checkbox"/> <b>H</b> (Stand pipe overflow) | <input type="checkbox"/> <b>OV</b> (Overflow Assembly)         |
| <input type="checkbox"/> <b>E</b> (Centre Rear Waste)   | <input type="checkbox"/> <b>I</b> (8" Depth)            | <input type="checkbox"/> <b>VP</b> (Vandal Resistant Strainer) |

**HOLE DRILLINGS**

Hole Configuration:	#s to Enter Above	Check here for hole selection
1 hole	<input type="text" value="1"/> <input type="text" value="0"/>	<input type="checkbox"/>
2 hole, 4" (10cm) centre	<input type="text" value="2"/> <input type="text" value="4"/>	<input type="checkbox"/>
3 hole, 4" (10cm) centre	<input type="text" value="3"/> <input type="text" value="4"/>	<input type="checkbox"/>
2 hole, 8" (20cm) centre	<input type="text" value="2"/> <input type="text" value="8"/>	<input type="checkbox"/>
3 hole, 8" (20cm) centre	<input type="text" value="3"/> <input type="text" value="8"/>	<input type="checkbox"/>
Special Holes*	<input type="text" value="S"/> <input type="text" value="H"/>	<input type="checkbox"/>

\*Drawings must be included

Engineer's Approval

Novanni has a policy of continuous improvement. All product specifications may change without notice.

Project Number: \_\_\_\_\_  
 Project Name: \_\_\_\_\_

**52" x 23"**

Fixture #

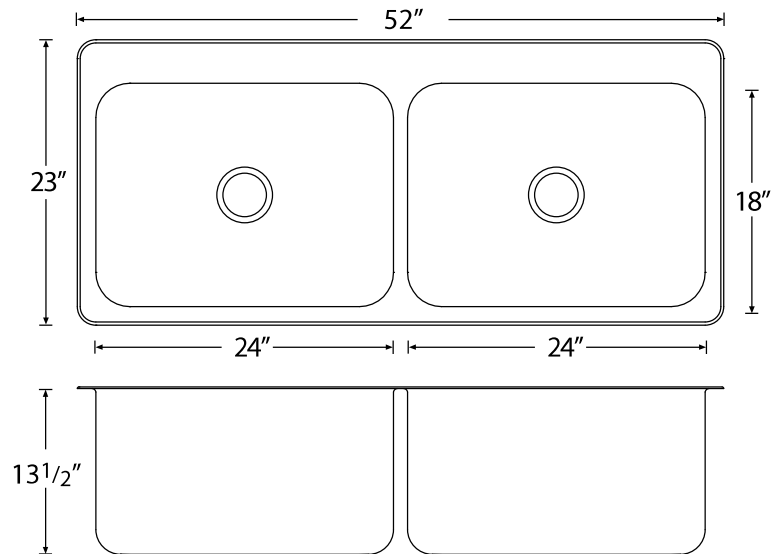


Model 2021, **Double bowl with ledge**, 300 or 316 Series stainless steel, 16 gauge, "U" channel clamp system, self rimming, exposed surfaces finished to a satin finish, 18-8 stainless steel, 3 1/2" or 1 1/2" stainless steel waste assembly included.

Outside dimension: 52" x 23" (132cm x 58cm)  
 Bowl depth: 13 1/2" (34cm)

NOTES:

\_\_\_\_\_  
 \_\_\_\_\_  
 \_\_\_\_\_  
 \_\_\_\_\_



GAUGE	OVERALL DIMENSIONS		BOWL DIMENSIONS				BOWL DEPTH			
	Left to Right	Front to Back	Left to Right	Front to Back	Left to Right	Front to Back				
16	52"	132cm	23"	58cm	24"	61cm	18"	46cm	13 1/2"	34cm

**OPTIONS** (check the option(s) you would like and indicate your choices above)

- |   |   |  |
|---|---|--|
| <input type="checkbox"/> <b>A</b> (18 Gauge)          | <input type="checkbox"/> <b>F</b> (Left Rear Waste)     | <input type="checkbox"/> <b>J</b> (10" Depth)                  |
| <input type="checkbox"/> <b>B</b> (Mirror Ledge)      | <input type="checkbox"/> <b>G</b> (Right Rear Waste)    | <input type="checkbox"/> <b>K</b> (12" Depth)                  |
| <input type="checkbox"/> <b>D</b> (1 1/2" Strainer)   | <input type="checkbox"/> <b>H</b> (Stand pipe overflow) | <input type="checkbox"/> <b>OV</b> (Overflow Assembly)         |
| <input type="checkbox"/> <b>E</b> (Centre Rear Waste) | <input type="checkbox"/> <b>I</b> (8" Depth)            | <input type="checkbox"/> <b>VP</b> (Vandal Resistant Strainer) |

**HOLE DRILLINGS**

Hole Configuration:	#s to Enter Above	Check here for hole selection
1 hole	<input type="text" value="1"/> <input type="text" value="0"/>	<input type="checkbox"/>
2 hole, 4" (10cm) centre	<input type="text" value="2"/> <input type="text" value="4"/>	<input type="checkbox"/>
3 hole, 4" (10cm) centre	<input type="text" value="3"/> <input type="text" value="4"/>	<input type="checkbox"/>
2 hole, 8" (20cm) centre	<input type="text" value="2"/> <input type="text" value="8"/>	<input type="checkbox"/>
3 hole, 8" (20cm) centre	<input type="text" value="3"/> <input type="text" value="8"/>	<input type="checkbox"/>
Special Holes*	<input type="text" value="S"/> <input type="text" value="H"/>	<input type="checkbox"/>

\*Drawings must be included

Engineer's Approval

\_\_\_\_\_  
 \_\_\_\_\_

Novanni has a policy of continuous improvement. All product specifications may change without notice.