

Project Number: \_\_\_\_\_  
 Project Name: \_\_\_\_\_

**53" x 21"**

Fixture #

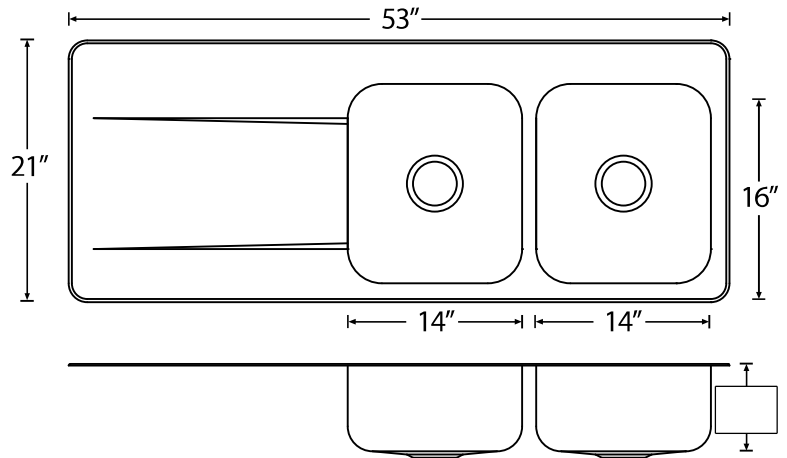


Model 8204L, **Double bowl with Left Drainboard**, 300 or 316 Series stainless steel, 16 drainboard/ 18 bowl gauge, "U" channel clamp system, exposed surfaces finished to a satin finish, 18-8 stainless steel, 3 1/2" or 1 1/2" waste assembly included.

Outside dimension: 53" x 21" (135cm x 53cm)  
 Standard bowl depth: 7" (18cm)

NOTES:

\_\_\_\_\_  
 \_\_\_\_\_  
 \_\_\_\_\_



GAUGE	DRAINBOARD POSITION	OVERALL DIMENSIONS				BOWL DIMENSIONS				STD BOWL DEPTH	
		Left to Right		Front to Back		Left to Right		Front to Back			
16 drainboard/ 18 bowl	LEFT	53"	135cm	21"	53cm	14"	36cm	16"	41cm	7"	18cm

**OPTIONS** (check the option(s) you would like and indicate your choices above)

- |   |   |  |
|---|---|--|
| <input type="checkbox"/> <b>A</b> (18 Gauge)        | <input type="checkbox"/> <b>F</b> (Left Waste)          | <input type="checkbox"/> <b>J</b> (10" Depth)                  |
| <input type="checkbox"/> <b>B</b> (Mirror Ledge)    | <input type="checkbox"/> <b>G</b> (Right Waste)         | <input type="checkbox"/> <b>K</b> (12" Depth)                  |
| <input type="checkbox"/> <b>D</b> (1 1/2" Strainer) | <input type="checkbox"/> <b>H</b> (Stand pipe overflow) | <input type="checkbox"/> <b>OV</b> (Overflow Assembly)         |
| <input type="checkbox"/> <b>E</b> (Centre Waste)    | <input type="checkbox"/> <b>I</b> (8" Depth)            | <input type="checkbox"/> <b>VP</b> (Vandal Resistant Strainer) |

**HOLE DRILLINGS**

Hole Configuration:	#s to Enter Above	Check here for hole selection
1 hole	<input type="text" value="1"/> <input type="text" value="0"/>	<input type="checkbox"/>
2 hole, 4" (10cm) centre	<input type="text" value="2"/> <input type="text" value="4"/>	<input type="checkbox"/>
3 hole, 4" (10cm) centre	<input type="text" value="3"/> <input type="text" value="4"/>	<input type="checkbox"/>
2 hole, 8" (20cm) centre	<input type="text" value="2"/> <input type="text" value="8"/>	<input type="checkbox"/>
3 hole, 8" (20cm) centre	<input type="text" value="3"/> <input type="text" value="8"/>	<input type="checkbox"/>
Special Holes*	<input type="text" value="S"/> <input type="text" value="H"/>	<input type="checkbox"/>

\*Drawings must be included

Engineer's Approval

Novanni has a policy of continuous improvement. All product specifications may change without notice.

Project Number: \_\_\_\_\_  
 Project Name: \_\_\_\_\_

**53" x 21"**

Fixture #



Model 8204R, **Double bowl with Right Drainboard**, 300 or 316 Series stainless steel, gauge: 16 drainboard/ 18 bowl, "U" channel clamp system, exposed surfaces finished to a satin finish, 18-8 stainless steel, 3 1/2" or 1 1/2" waste assembly included.

Outside dimension: 53" x 21" (135cm x 53cm)  
 Standard bowl depth: 7" (18cm)

NOTES:

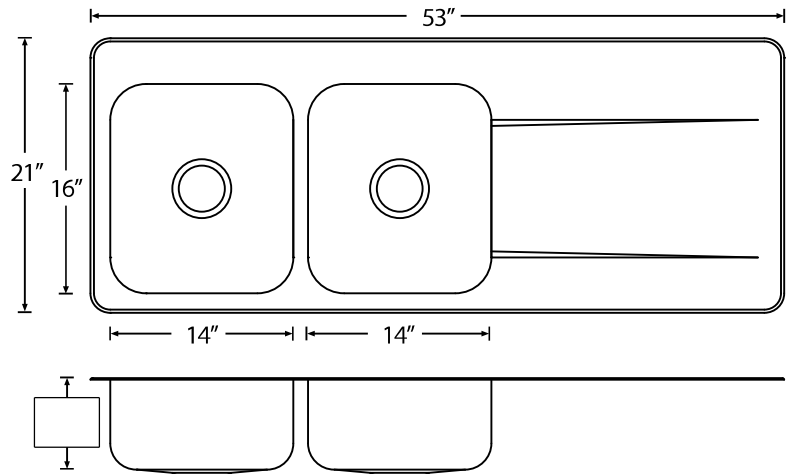
---

---

---

---

---



GAUGE	DRAINBOARD POSITION	OVERALL DIMENSIONS				BOWL DIMENSIONS				STD BOWL DEPTH	
		Left to Right		Front to Back		Left to Right		Front to Back			
16 drainboard/ 18 bowl	RIGHT	53"	135cm	21"	53cm	14"	36cm	16"	41cm	7"	18cm

**OPTIONS** (check the option(s) you would like and indicate your choices above)

- |   |   |  |
|---|---|--|
| <input type="checkbox"/> <b>A</b> (18 Gauge)        | <input type="checkbox"/> <b>F</b> (Left Waste)          | <input type="checkbox"/> <b>J</b> (10" Depth)                  |
| <input type="checkbox"/> <b>B</b> (Mirror Ledge)    | <input type="checkbox"/> <b>G</b> (Right Waste)         | <input type="checkbox"/> <b>K</b> (12" Depth)                  |
| <input type="checkbox"/> <b>D</b> (1 1/2" Strainer) | <input type="checkbox"/> <b>H</b> (Stand pipe overflow) | <input type="checkbox"/> <b>OV</b> (Overflow Assembly)         |
| <input type="checkbox"/> <b>E</b> (Centre Waste)    | <input type="checkbox"/> <b>I</b> (8" Depth)            | <input type="checkbox"/> <b>VP</b> (Vandal Resistant Strainer) |

**HOLE DRILLINGS**

Hole Configuration:	#s to Enter Above	Check here for hole selection
1 hole	<input type="text" value="1"/> <input type="text" value="0"/>	<input type="checkbox"/>
2 hole, 4" (10cm) centre	<input type="text" value="2"/> <input type="text" value="4"/>	<input type="checkbox"/>
3 hole, 4" (10cm) centre	<input type="text" value="3"/> <input type="text" value="4"/>	<input type="checkbox"/>
2 hole, 8" (20cm) centre	<input type="text" value="2"/> <input type="text" value="8"/>	<input type="checkbox"/>
3 hole, 8" (20cm) centre	<input type="text" value="3"/> <input type="text" value="8"/>	<input type="checkbox"/>
Special Holes*	<input type="text" value="S"/> <input type="text" value="H"/>	<input type="checkbox"/>

\*Drawings must be included

Engineer's Approval

Novanni has a policy of continuous improvement. All product specifications may change without notice.

Project Number: \_\_\_\_\_  
 Project Name: \_\_\_\_\_

**53" x 21"**

Fixture #

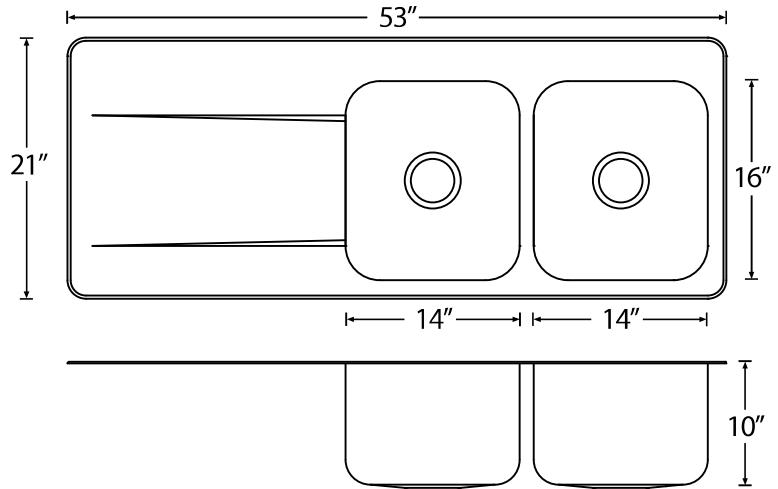


Model 8206L, **Double bowl with Left Drainboard**, 300 or 316 Series stainless steel, gauge: 16 drainboard/ 18 bowl, "U" channel clamp system, exposed surfaces finished to a satin finish, 18-8 stainless steel, 3 1/2" or 1 1/2" waste assembly included.

Outside dimension: 53" x 21" (135cm x 53cm)  
 Bowl depth: 10" (25cm)

NOTES:

\_\_\_\_\_  
 \_\_\_\_\_  
 \_\_\_\_\_  
 \_\_\_\_\_



GAUGE	DRAINBOARD POSITION	OVERALL DIMENSIONS				BOWL DIMENSIONS				BOWL DEPTH	
		Left to Right		Front to Back		Left to Right		Front to Back			
16 drainboard/ 18 bowl	LEFT	53"	135cm	21"	53cm	14"	36cm	16"	41cm	10"	25cm

**OPTIONS** (check the option(s) you would like and indicate your choices above)

- A** (18 Gauge)
- F** (Left Waste)
- J** (10" Depth)
- B** (Mirror Ledge)
- G** (Right Waste)
- K** (12" Depth)
- D** (1 1/2" Strainer)
- H** (Stand pipe overflow)
- OV** (Overflow Assembly)
- E** (Centre Waste)
- I** (8" Depth)
- VP** (Vandal Resistant Strainer)

**HOLE DRILLINGS**

Hole Configuration:	#s to Enter Above	Check here for hole selection
1 hole	<input type="text" value="1"/> <input type="text" value="0"/>	<input type="checkbox"/>
2 hole, 4" (10cm) centre	<input type="text" value="2"/> <input type="text" value="4"/>	<input type="checkbox"/>
3 hole, 4" (10cm) centre	<input type="text" value="3"/> <input type="text" value="4"/>	<input type="checkbox"/>
2 hole, 8" (20cm) centre	<input type="text" value="2"/> <input type="text" value="8"/>	<input type="checkbox"/>
3 hole, 8" (20cm) centre	<input type="text" value="3"/> <input type="text" value="8"/>	<input type="checkbox"/>
Special Holes*	<input type="text" value="S"/> <input type="text" value="H"/>	<input type="checkbox"/>

\*Drawings must be included

Engineer's Approval

\_\_\_\_\_  
 \_\_\_\_\_

Novanni has a policy of continuous improvement. All product specifications may change without notice.

Project Number: \_\_\_\_\_  
 Project Name: \_\_\_\_\_

**53" x 21"**

Fixture #

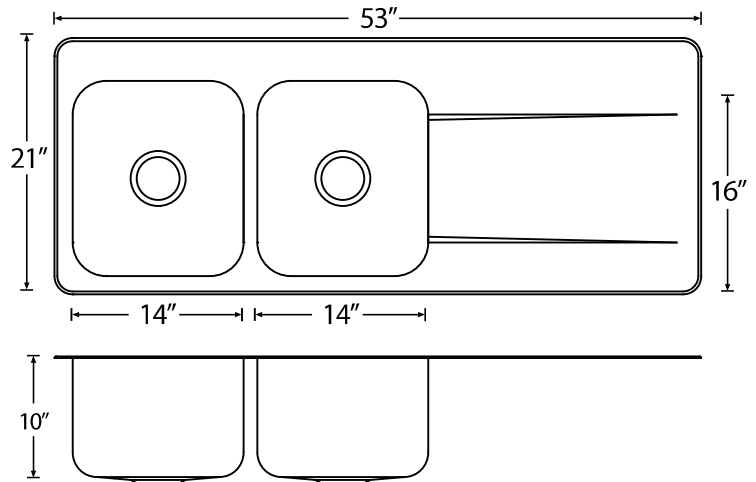


Model 8206R, **Double bowl with Right Drainboard**, 300 or 316 Series stainless steel, gauge: 16 drainboard/ 18 bowl, "U" channel clamp system, exposed surfaces finished to a satin finish, 18-8 stainless steel, 3 1/2" or 1 1/2" waste assembly included.

Outside dimension: 53" x 21" (135cm x 53cm)  
 Bowl depth: 10" (25cm)

NOTES:

\_\_\_\_\_  
 \_\_\_\_\_  
 \_\_\_\_\_  
 \_\_\_\_\_



GAUGE	DRAINBOARD POSITION	OVERALL DIMENSIONS				BOWL DIMENSIONS				BOWL DEPTH	
		Left to Right		Front to Back		Left to Right		Front to Back			
16 drainboard/ 18 bowl	RIGHT	53"	135cm	21"	53cm	14"	36cm	16"	41cm	10"	25cm

**OPTIONS** (check the option(s) you would like and indicate your choices above)

- A** (18 Gauge)
- F** (Left Waste)
- J** (10" Depth)
- B** (Mirror Ledge)
- G** (Right Waste)
- K** (12" Depth)
- D** (1 1/2" Strainer)
- H** (Stand pipe overflow)
- OV** (Overflow Assembly)
- E** (Centre Waste)
- I** (8" Depth)
- VP** (Vandal Resistant Strainer)

**HOLE DRILLINGS**

Hole Configuration:	#s to Enter Above	Check here for hole selection
1 hole	<input type="text" value="1"/> <input type="text" value="0"/>	<input type="checkbox"/>
2 hole, 4" (10cm) centre	<input type="text" value="2"/> <input type="text" value="4"/>	<input type="checkbox"/>
3 hole, 4" (10cm) centre	<input type="text" value="3"/> <input type="text" value="4"/>	<input type="checkbox"/>
2 hole, 8" (20cm) centre	<input type="text" value="2"/> <input type="text" value="8"/>	<input type="checkbox"/>
3 hole, 8" (20cm) centre	<input type="text" value="3"/> <input type="text" value="8"/>	<input type="checkbox"/>
Special Holes*	<input type="text" value="S"/> <input type="text" value="H"/>	<input type="checkbox"/>

\*Drawings must be included

Engineer's Approval

Novanni has a policy of continuous improvement. All product specifications may change without notice.

Project Number: \_\_\_\_\_  
 Project Name: \_\_\_\_\_

61" x 21"

Fixture #

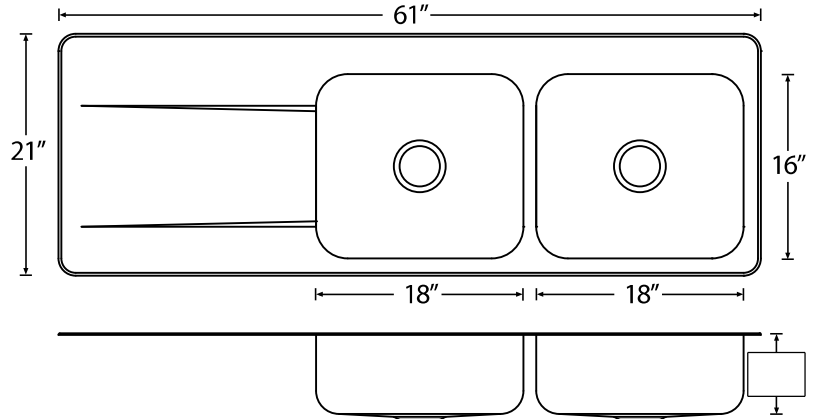


Model 8208L, **Double bowl with Left Drainboard**, 300 or 316 Series stainless steel, gauge: 16 drainboard/ 18 bowl, "U" channel clamp system, exposed surfaces finished to a satin finish, 18-8 stainless steel, 3 1/2" or 1 1/2" waste assembly included.

Outside dimension: 61" x 21" (155cm x 53cm)  
 Standard bowl depth: 7" (18cm)

NOTES:

\_\_\_\_\_  
 \_\_\_\_\_  
 \_\_\_\_\_



GAUGE	DRAINBOARD POSITION	OVERALL DIMENSIONS				BOWL DIMENSIONS				STD BOWL DEPTH	
		Left to Right		Front to Back		Left to Right		Front to Back			
16 drainboard/ 18 bowl	LEFT	61"	155cm	21"	53cm	18"	46cm	16"	41cm	7"	18cm

**OPTIONS** (check the option(s) you would like and indicate your choices above)

- |   |   |  |
|---|---|--|
| <input type="checkbox"/> <b>A</b> (18 Gauge)        | <input type="checkbox"/> <b>F</b> (Left Waste)          | <input type="checkbox"/> <b>J</b> (10" Depth)                  |
| <input type="checkbox"/> <b>B</b> (Mirror Ledge)    | <input type="checkbox"/> <b>G</b> (Right Waste)         | <input type="checkbox"/> <b>K</b> (12" Depth)                  |
| <input type="checkbox"/> <b>D</b> (1 1/2" Strainer) | <input type="checkbox"/> <b>H</b> (Stand pipe overflow) | <input type="checkbox"/> <b>OV</b> (Overflow Assembly)         |
| <input type="checkbox"/> <b>E</b> (Centre Waste)    | <input type="checkbox"/> <b>I</b> (8" Depth)            | <input type="checkbox"/> <b>VP</b> (Vandal Resistant Strainer) |

**HOLE DRILLINGS**

Hole Configuration:	#s to Enter Above	Check here for hole selection
1 hole	<input type="text" value="1"/> <input type="text" value="0"/>	<input type="checkbox"/>
2 hole, 4" (10cm) centre	<input type="text" value="2"/> <input type="text" value="4"/>	<input type="checkbox"/>
3 hole, 4" (10cm) centre	<input type="text" value="3"/> <input type="text" value="4"/>	<input type="checkbox"/>
2 hole, 8" (20cm) centre	<input type="text" value="2"/> <input type="text" value="8"/>	<input type="checkbox"/>
3 hole, 8" (20cm) centre	<input type="text" value="3"/> <input type="text" value="8"/>	<input type="checkbox"/>
Special Holes*	<input type="text" value="S"/> <input type="text" value="H"/>	<input type="checkbox"/>

\*Drawings must be included

Engineer's Approval

Novanni has a policy of continuous improvement. All product specifications may change without notice.

Project Number: \_\_\_\_\_  
 Project Name: \_\_\_\_\_

**61" x 21"**

Fixture #

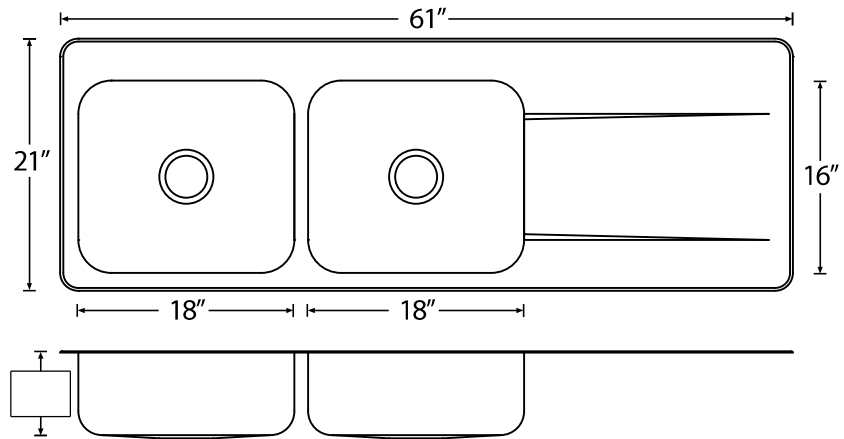


Model 8208R, **Double bowl with Right Drainboard**, 300 or 316 Series stainless steel, gauge: 16 drainboard/ 18 bowl, "U" channel clamp system, exposed surfaces finished to a satin finish, 18-8 stainless steel, 3 1/2" or 1 1/2" waste assembly included.

Outside dimension: 61" x 21" (155cm x 53cm)  
 Standard bowl depth: 7" (18cm)

NOTES:

\_\_\_\_\_  
 \_\_\_\_\_  
 \_\_\_\_\_  
 \_\_\_\_\_



GAUGE	DRAINBOARD POSITION	OVERALL DIMENSIONS				BOWL DIMENSIONS				STD BOWL DEPTH	
		Left to Right		Front to Back		Left to Right		Front to Back		BOWL DEPTH	
16 drainboard/ 18 bowl	RIGHT	61"	155cm	21"	53cm	18"	46cm	16"	41cm	7"	18cm

**OPTIONS** (check the option(s) you would like and indicate your choices above)

- |   |   |  |
|---|---|--|
| <input type="checkbox"/> <b>A</b> (18 Gauge)        | <input type="checkbox"/> <b>F</b> (Left Waste)          | <input type="checkbox"/> <b>J</b> (10" Depth)                  |
| <input type="checkbox"/> <b>B</b> (Mirror Ledge)    | <input type="checkbox"/> <b>G</b> (Right Waste)         | <input type="checkbox"/> <b>K</b> (12" Depth)                  |
| <input type="checkbox"/> <b>D</b> (1 1/2" Strainer) | <input type="checkbox"/> <b>H</b> (Stand pipe overflow) | <input type="checkbox"/> <b>OV</b> (Overflow Assembly)         |
| <input type="checkbox"/> <b>E</b> (Centre Waste)    | <input type="checkbox"/> <b>I</b> (8" Depth)            | <input type="checkbox"/> <b>VP</b> (Vandal Resistant Strainer) |

**HOLE DRILLINGS**

Hole Configuration:	#s to Enter Above	Check here for hole selection
1 hole	<input type="text" value="1"/> <input type="text" value="0"/>	<input type="checkbox"/>
2 hole, 4" (10cm) centre	<input type="text" value="2"/> <input type="text" value="4"/>	<input type="checkbox"/>
3 hole, 4" (10cm) centre	<input type="text" value="3"/> <input type="text" value="4"/>	<input type="checkbox"/>
2 hole, 8" (20cm) centre	<input type="text" value="2"/> <input type="text" value="8"/>	<input type="checkbox"/>
3 hole, 8" (20cm) centre	<input type="text" value="3"/> <input type="text" value="8"/>	<input type="checkbox"/>
Special Holes*	<input type="text" value="S"/> <input type="text" value="H"/>	<input type="checkbox"/>

\*Drawings must be included

Engineer's Approval

Novanni has a policy of continuous improvement. All product specifications may change without notice.

Project Number: \_\_\_\_\_  
 Project Name: \_\_\_\_\_

61" x 21"

Fixture #

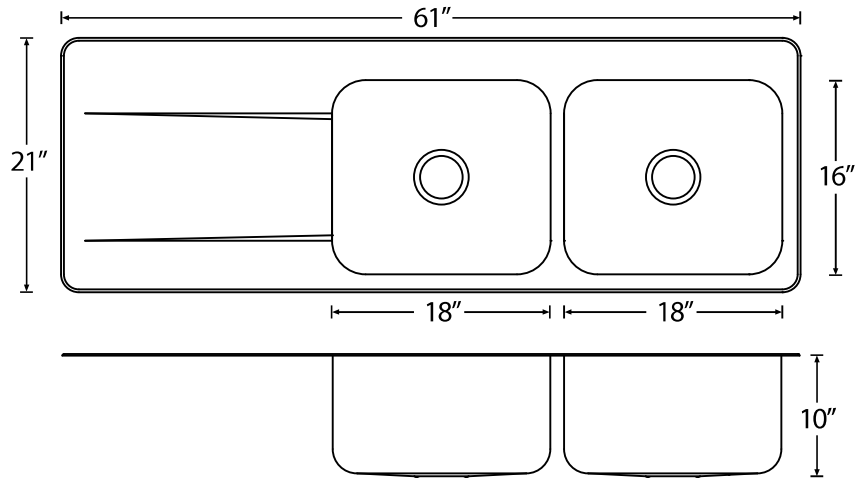


Model 8210L, **Double bowl with Left Drainboard**, 300 or 316 Series stainless steel, gauge: 16 drainboard/ 18 bowl, "U" channel clamp system, exposed surfaces finished to a satin finish, 18-8 stainless steel, 3 1/2" or 1 1/2" waste assembly included.

Outside dimension: 61" x 21" (155cm x 53cm)  
 Bowl depth: 10" (25cm)

NOTES:

\_\_\_\_\_  
 \_\_\_\_\_  
 \_\_\_\_\_  
 \_\_\_\_\_



GAUGE	DRAINBOARD POSITION	OVERALL DIMENSIONS				BOWL DIMENSIONS				BOWL DEPTH	
		Left to Right		Front to Back		Left to Right		Front to Back			
16 drainboard/ 18 bowl	LEFT	61"	155cm	21"	53cm	18"	46cm	16"	41cm	10"	25cm

**OPTIONS** (check the option(s) you would like and indicate your choices above)

- |  |   |  |
|--|---|--|
| <input type="checkbox"/> <b>N/A A</b> (18 Gauge)     | <input type="checkbox"/> <b>F</b> (Left Waste)          | <input type="checkbox"/> <b>STD J</b> (10" Depth)              |
| <input type="checkbox"/> <b>N/A B</b> (Mirror Ledge) | <input type="checkbox"/> <b>G</b> (Right Waste)         | <input type="checkbox"/> <b>N/A K</b> (12" Depth)              |
| <input type="checkbox"/> <b>D</b> (1 1/2" Strainer)  | <input type="checkbox"/> <b>H</b> (Stand pipe overflow) | <input type="checkbox"/> <b>OV</b> (Overflow Assembly)         |
| <input type="checkbox"/> <b>E</b> (Centre Waste)     | <input type="checkbox"/> <b>N/A I</b> (8" Depth)        | <input type="checkbox"/> <b>VP</b> (Vandal Resistant Strainer) |

**HOLE DRILLINGS**

Hole Configuration:	#s to Enter Above	Check here for hole selection
1 hole	<input type="text" value="1"/> <input type="text" value="0"/>	<input type="checkbox"/>
2 hole, 4" (10cm) centre	<input type="text" value="2"/> <input type="text" value="4"/>	<input type="checkbox"/>
3 hole, 4" (10cm) centre	<input type="text" value="3"/> <input type="text" value="4"/>	<input type="checkbox"/>
2 hole, 8" (20cm) centre	<input type="text" value="2"/> <input type="text" value="8"/>	<input type="checkbox"/>
3 hole, 8" (20cm) centre	<input type="text" value="3"/> <input type="text" value="8"/>	<input type="checkbox"/>
Special Holes*	<input type="text" value="S"/> <input type="text" value="H"/>	<input type="checkbox"/>

\*Drawings must be included

Engineer's Approval

\_\_\_\_\_  
 \_\_\_\_\_

Novanni has a policy of continuous improvement. All product specifications may change without notice.

Project Number: \_\_\_\_\_  
 Project Name: \_\_\_\_\_

**61" x 21"**

Fixture #

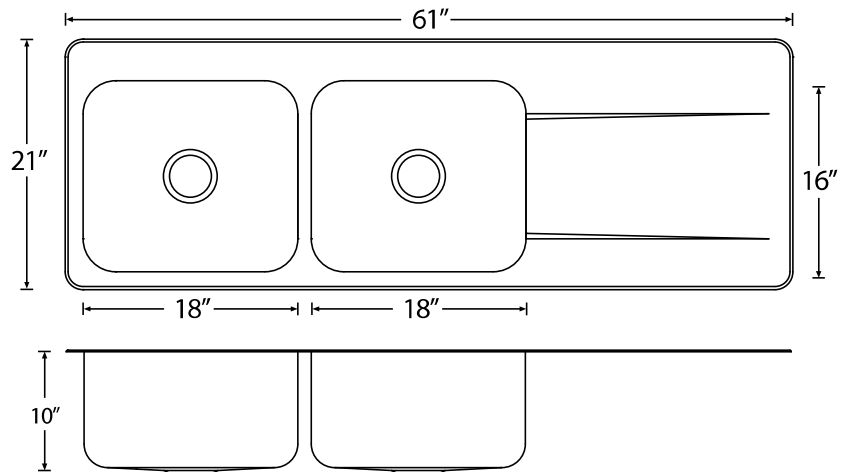


Model 8210R, **Double bowl with Right Drainboard**, 300 or 316 Series stainless steel, gauge: 16 drainboard/ 18 bowl, "U" channel clamp system, exposed surfaces finished to a satin finish, 18-8 stainless steel, 3 1/2" or 1 1/2" waste assembly included.

Outside dimension: 61" x 21" (155cm x 53cm)  
 Bowl depth: 10" (25cm)

NOTES:

\_\_\_\_\_  
 \_\_\_\_\_  
 \_\_\_\_\_  
 \_\_\_\_\_



GAUGE	DRAINBOARD POSITION	OVERALL DIMENSIONS				BOWL DIMENSIONS				BOWL DEPTH	
		Left to Right		Front to Back		Left to Right		Front to Back			
16 drainboard/ 18 bowl	RIGHT	61"	155cm	21"	53cm	18"	46cm	16"	41cm	10"	25cm

**OPTIONS** (check the option(s) you would like and indicate your choices above)

- A** (18 Gauge)
- F** (Left Waste)
- J** (10" Depth)
- B** (Mirror Ledge)
- G** (Right Waste)
- K** (12" Depth)
- D** (1 1/2" Strainer)
- H** (Stand pipe overflow)
- OV** (Overflow Assembly)
- E** (Centre Waste)
- I** (8" Depth)
- VP** (Vandal Resistant Strainer)

**HOLE DRILLINGS**

Hole Configuration:	#s to Enter Above	Check here for hole selection
1 hole	<input type="text" value="1"/> <input type="text" value="0"/>	<input type="checkbox"/>
2 hole, 4" (10cm) centre	<input type="text" value="2"/> <input type="text" value="4"/>	<input type="checkbox"/>
3 hole, 4" (10cm) centre	<input type="text" value="3"/> <input type="text" value="4"/>	<input type="checkbox"/>
2 hole, 8" (20cm) centre	<input type="text" value="2"/> <input type="text" value="8"/>	<input type="checkbox"/>
3 hole, 8" (20cm) centre	<input type="text" value="3"/> <input type="text" value="8"/>	<input type="checkbox"/>
Special Holes*	<input type="text" value="S"/> <input type="text" value="H"/>	<input type="checkbox"/>

\*Drawings must be included

Engineer's Approval

\_\_\_\_\_  
 \_\_\_\_\_

Novanni has a policy of continuous improvement. All product specifications may change without notice.

Project Number: \_\_\_\_\_  
 Project Name: \_\_\_\_\_

**73" x 21"**

Fixture #  
 \_\_\_\_\_

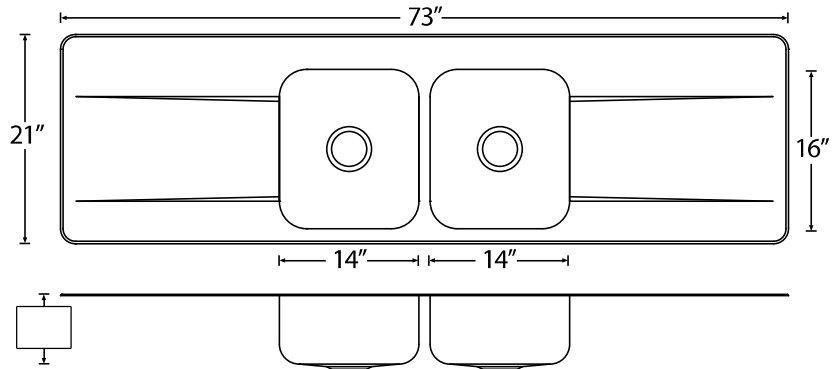


Model 8212LR, **Double bowl with Left & Right Drainboard**, 300 or 316 Series stainless steel, gauge: 16 drainboard/ 18 bowl, "U" channel clamp system, exposed surfaces finished to a satin finish, 18-8 stainless steel, 3 1/2" or 1 1/2" waste assembly included.

Outside dimension: 73" x 21" (185cm x 53cm)  
 Standard bowl depth: 7" (18cm)

NOTES:

\_\_\_\_\_  
 \_\_\_\_\_  
 \_\_\_\_\_



GAUGE	DRAINBOARD POSITION	OVERALL DIMENSIONS				BOWL DIMENSIONS				STD BOWL DEPTH	
		Left to Right		Front to Back		Left to Right		Front to Back		BOWL DEPTH	
16 drainboard/ 18 bowl	LEFT & RIGHT	73"	185cm	21"	53cm	14"	36cm	16"	41cm	7"	18cm

**OPTIONS** (check the option(s) you would like and indicate your choices above)

- |   |   |  |
|---|---|--|
| <input type="checkbox"/> <b>A</b> (18 Gauge)        | <input type="checkbox"/> <b>F</b> (Left Waste)          | <input type="checkbox"/> <b>J</b> (10" Depth)                  |
| <input type="checkbox"/> <b>B</b> (Mirror Ledge)    | <input type="checkbox"/> <b>G</b> (Right Waste)         | <input type="checkbox"/> <b>K</b> (12" Depth)                  |
| <input type="checkbox"/> <b>D</b> (1 1/2" Strainer) | <input type="checkbox"/> <b>H</b> (Stand pipe overflow) | <input type="checkbox"/> <b>OV</b> (Overflow Assembly)         |
| <input type="checkbox"/> <b>E</b> (Centre Waste)    | <input type="checkbox"/> <b>I</b> (8" Depth)            | <input type="checkbox"/> <b>VP</b> (Vandal Resistant Strainer) |

**HOLE DRILLINGS**

Hole Configuration:	#s to Enter Above	Check here for hole selection
1 hole	<input type="text" value="1"/> <input type="text" value="0"/>	<input type="checkbox"/>
2 hole, 4" (10cm) centre	<input type="text" value="2"/> <input type="text" value="4"/>	<input type="checkbox"/>
3 hole, 4" (10cm) centre	<input type="text" value="3"/> <input type="text" value="4"/>	<input type="checkbox"/>
2 hole, 8" (20cm) centre	<input type="text" value="2"/> <input type="text" value="8"/>	<input type="checkbox"/>
3 hole, 8" (20cm) centre	<input type="text" value="3"/> <input type="text" value="8"/>	<input type="checkbox"/>
Special Holes*	<input type="text" value="S"/> <input type="text" value="H"/>	<input type="checkbox"/>

\*Drawings must be included

Engineer's Approval

\_\_\_\_\_  
 \_\_\_\_\_

Novanni has a policy of continuous improvement. All product specifications may change without notice.

Project Number: \_\_\_\_\_  
 Project Name: \_\_\_\_\_

**81" x 21"**

Fixture #

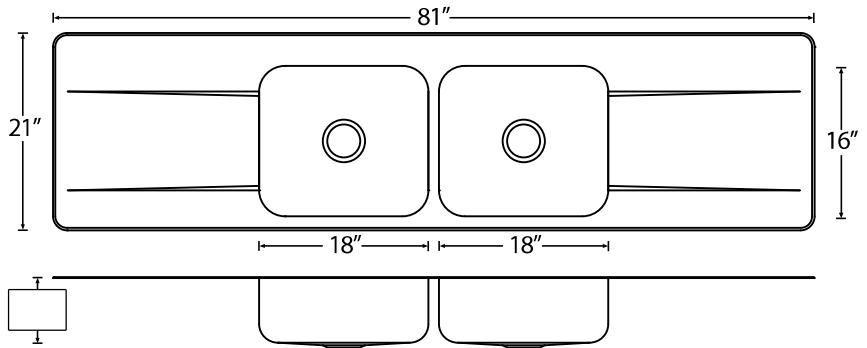


Model 8214LR, **Double bowl with Left & Right Drainboard**, 300 or 316 Series stainless steel, 16 drainboard/ 18 bowl gauge (18 gauge available as option A), "U" channel clamp system, exposed surfaces finished to a satin finish, 18-8 stainless steel, 3 1/2" or 1 1/2" waste assembly included.

Outside dimension: 81" x 21" (206cm x 53cm)  
 Standard Bowl depth: 7" (18cm)

NOTES:

\_\_\_\_\_  
 \_\_\_\_\_  
 \_\_\_\_\_  
 \_\_\_\_\_



GAUGE	DRAINBOARD POSITION	OVERALL DIMENSIONS				BOWL DIMENSIONS				STD BOWL DEPTH	
		Left to Right		Front to Back		Left to Right		Front to Back			
16 drainboard/ 18 bowl	LEFT & RIGHT	81"	206cm	21"	53cm	18"	46cm	16"	41cm	7"	18cm

**OPTIONS** (check the option(s) you would like and indicate your choices above)

- |   |   |  |
|---|---|--|
| <input type="checkbox"/> <b>A</b> (18 Gauge)        | <input type="checkbox"/> <b>F</b> (Left Waste)          | <input type="checkbox"/> <b>J</b> (10" Depth)                  |
| <input type="checkbox"/> <b>B</b> (Mirror Ledge)    | <input type="checkbox"/> <b>G</b> (Right Waste)         | <input type="checkbox"/> <b>K</b> (12" Depth)                  |
| <input type="checkbox"/> <b>D</b> (1 1/2" Strainer) | <input type="checkbox"/> <b>H</b> (Stand pipe overflow) | <input type="checkbox"/> <b>OV</b> (Overflow Assembly)         |
| <input type="checkbox"/> <b>E</b> (Centre Waste)    | <input type="checkbox"/> <b>I</b> (8" Depth)            | <input type="checkbox"/> <b>VP</b> (Vandal Resistant Strainer) |

**HOLE DRILLINGS**

Hole Configuration:	#s to Enter Above	Check here for hole selection
1 hole	<input type="text" value="1"/> <input type="text" value="0"/>	<input type="checkbox"/>
2 hole, 4" (10cm) centre	<input type="text" value="2"/> <input type="text" value="4"/>	<input type="checkbox"/>
3 hole, 4" (10cm) centre	<input type="text" value="3"/> <input type="text" value="4"/>	<input type="checkbox"/>
2 hole, 8" (20cm) centre	<input type="text" value="2"/> <input type="text" value="8"/>	<input type="checkbox"/>
3 hole, 8" (20cm) centre	<input type="text" value="3"/> <input type="text" value="8"/>	<input type="checkbox"/>
Special Holes*	<input type="text" value="S"/> <input type="text" value="H"/>	<input type="checkbox"/>

\*Drawings must be included

Engineer's Approval

Novanni has a policy of continuous improvement. All product specifications may change without notice.