

Project Number: \_\_\_\_\_  
 Project Name: \_\_\_\_\_

**72" x 24"**

Fixture #  
 \_\_\_\_\_

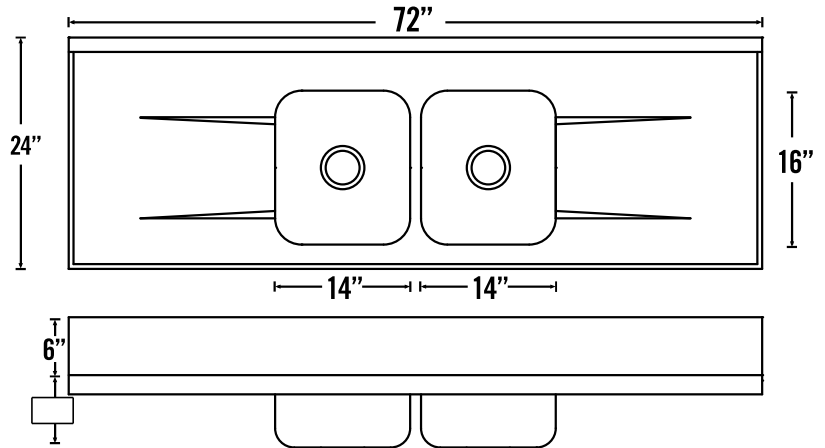


Model 8004LR, **Double Bowl with Left & Right Drainboard**, 300 or 316 Series stainless steel, gauge: 16 drainboard/ 18 bowl, "U" channel clamp system, exposed surfaces finished to a satin finish, 18-8 stainless steel, 3 1/2" or 1 1/2" waste assembly included.

Outside dimension: 72" x 24" (183cm x 61cm)  
 Standard bowl depth: 7" (18cm)

NOTES:

\_\_\_\_\_  
 \_\_\_\_\_  
 \_\_\_\_\_



GAUGE	BACK-SPLASH HEIGHT		DRAIN BOARD	OVERALL DIMENSIONS				BOWL DIMENSIONS				STD BOWL DEPTH	
	6"	15cm		Left to Right	Front to Back	Left to Right	Front to Back	Left to Right	Front to Back				
16 drainboard/ 18 bowl	6"	15cm	LEFT & RIGHT	72"	183cm	24"	61cm	14"	36cm	16"	41cm	7"	18cm

**OPTIONS** (check the option(s) you would like and indicate your choices above)

- |   |   |  |
|---|---|--|
| <input type="checkbox"/> <b>A</b> (18 Gauge)        | <input type="checkbox"/> <b>F</b> (Left Waste)          | <input type="checkbox"/> <b>J</b> (10" Depth)                  |
| <input type="checkbox"/> <b>B</b> (Mirror Ledge)    | <input type="checkbox"/> <b>G</b> (Right Waste)         | <input type="checkbox"/> <b>K</b> (12" Depth)                  |
| <input type="checkbox"/> <b>D</b> (1 1/2" Strainer) | <input type="checkbox"/> <b>H</b> (Stand pipe overflow) | <input type="checkbox"/> <b>OV</b> (Overflow Assembly)         |
| <input type="checkbox"/> <b>E</b> (Centre Waste)    | <input type="checkbox"/> <b>I</b> (8" Depth)            | <input type="checkbox"/> <b>VP</b> (Vandal Resistant Strainer) |

**HOLE DRILLINGS**

Hole Configuration:	#s to Enter Above	Check here for hole selection
1 hole	<input type="text" value="1"/> <input type="text" value="0"/>	<input type="checkbox"/>
2 hole, 4" (10cm) centre	<input type="text" value="2"/> <input type="text" value="4"/>	<input type="checkbox"/>
3 hole, 4" (10cm) centre	<input type="text" value="3"/> <input type="text" value="4"/>	<input type="checkbox"/>
2 hole, 8" (20cm) centre	<input type="text" value="2"/> <input type="text" value="8"/>	<input type="checkbox"/>
3 hole, 8" (20cm) centre	<input type="text" value="3"/> <input type="text" value="8"/>	<input type="checkbox"/>
Special Holes*	<input type="text" value="S"/> <input type="text" value="H"/>	<input type="checkbox"/>

\*Drawings must be included

Engineer's Approval

\_\_\_\_\_  
 \_\_\_\_\_

Novanni has a policy of continuous improvement. All product specifications may change without notice.

Project Number: \_\_\_\_\_  
 Project Name: \_\_\_\_\_

**84" x 24"**

Fixture #  
 \_\_\_\_\_

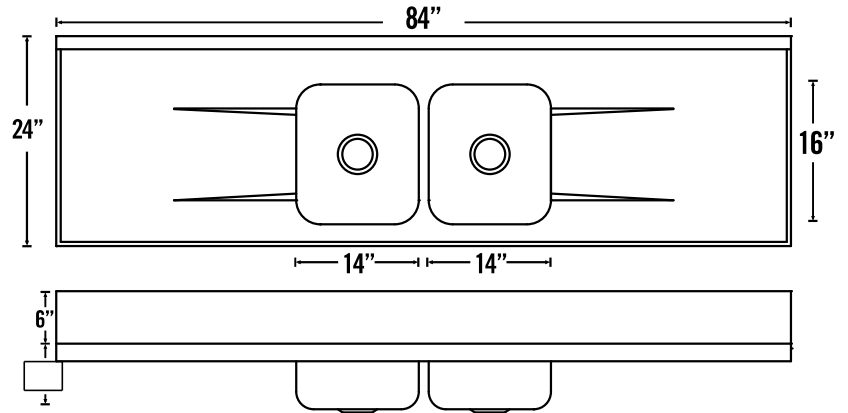


Model 8005LR, **Double Bowl with Left & Right Drainboard**, 300 or 316 Series stainless steel, gauge: 16 drainboard/ 18 bowl, "U" channel clamp system, exposed surfaces finished to a satin finish, 18-8 stainless steel, 3 1/2" or 1 1/2" waste assembly included.

Outside dimension: 84" x 24"  
 (213cm x 61cm)  
 Standard Bowl depth: 7" (18cm)

NOTES:

\_\_\_\_\_  
 \_\_\_\_\_  
 \_\_\_\_\_



GAUGE	BACK-SPLASH HEIGHT		DRAIN BOARD	OVERALL DIMENSIONS				BOWL DIMENSIONS				STD BOWL DEPTH	
				Left to Right		Front to Back		Left to Right		Front to Back			
16 drainboard/ 18 bowl	6"	15cm	LEFT & RIGHT	84"	213cm	24"	61cm	14"	36cm	16"	41cm	7"	18cm

**OPTIONS** (check the option(s) you would like and indicate your choices above)

- A** (18 Gauge)
- F** (Left Waste)
- J** (10" Depth)
- B** (Mirror Ledge)
- G** (Right Waste)
- N/A K** (12" Depth)
- D** (1 1/2" Strainer)
- N/A H** (Stand pipe overflow)
- OV** (Overflow Assembly)
- E** (Centre Waste)
- I** (8" Depth)
- VP** (Vandal Resistant Strainer)

**HOLE DRILLINGS**

Hole Configuration:	#s to Enter Above	Check here for hole selection
1 hole	<input type="text" value="1"/> <input type="text" value="0"/>	<input type="checkbox"/>
2 hole, 4" (10cm) centre	<input type="text" value="2"/> <input type="text" value="4"/>	<input type="checkbox"/>
3 hole, 4" (10cm) centre	<input type="text" value="3"/> <input type="text" value="4"/>	<input type="checkbox"/>
2 hole, 8" (20cm) centre	<input type="text" value="2"/> <input type="text" value="8"/>	<input type="checkbox"/>
3 hole, 8" (20cm) centre	<input type="text" value="3"/> <input type="text" value="8"/>	<input type="checkbox"/>
Special Holes*	<input type="text" value="S"/> <input type="text" value="H"/>	<input type="checkbox"/>

\*Drawings must be included

Engineer's Approval

\_\_\_\_\_  
 \_\_\_\_\_

Novanni has a policy of continuous improvement. All product specifications may change without notice.