

Project Number: _____
 Project Name: _____

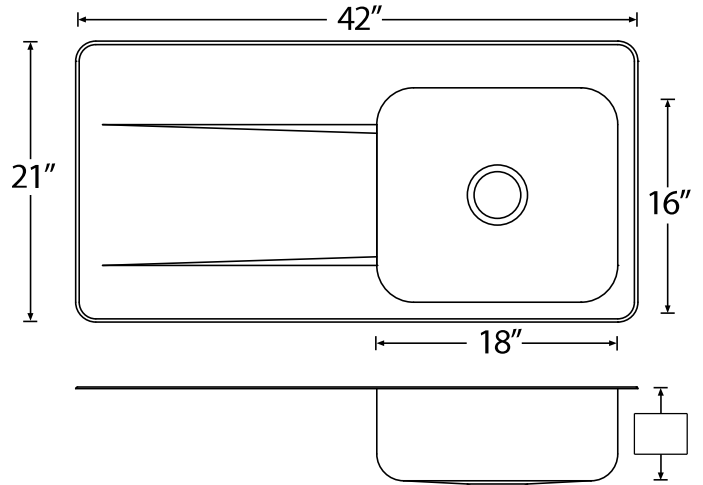
42" x 21"

Fixture #

Model 8200L, **Single bowl with Left Drainboard**, 300 or 316 Series stainless steel, gauge: 16 drainboard/18 bowl, exposed surfaces finished to a satin finish, 18-8 stainless steel, 3 1/2" or 1 1/2" waste assembly included.

Outside dimension: 42" x 21" (107cm x 53cm)
 Standard bowl depth: 7" (18cm)

NOTES:



GAUGE	DRAINBOARD POSITION	OVERALL DIMENSIONS				BOWL DIMENSIONS				STD BOWL DEPTH	
		Left to Right		Front to Back		Left to Right		Front to Back			
16 drainboard/ 18 bowl	LEFT	42"	107cm	21"	53cm	18"	46cm	16"	41cm	7"	18cm

OPTIONS (check the option(s) you would like and indicate your choices above)

- | | | |
|---|---|--|
| <input type="checkbox"/> A (18 Gauge) | <input type="checkbox"/> F (Left Waste) | <input type="checkbox"/> J (10" Depth) |
| <input type="checkbox"/> B (Mirror Ledge) | <input type="checkbox"/> G (Right Waste) | <input type="checkbox"/> K (12" Depth) |
| <input type="checkbox"/> D (1 1/2" Strainer) | <input type="checkbox"/> H (Stand pipe overflow) | <input type="checkbox"/> OV (Overflow Assembly) |
| <input type="checkbox"/> E (Centre Waste) | <input type="checkbox"/> I (8" Depth) | <input type="checkbox"/> VP (Vandal Resistant Strainer) |

HOLE DRILLINGS

Hole Configuration:	#s to Enter Above	Check here for hole selection
1 hole	<input type="text" value="1"/> <input type="text" value="0"/>	<input type="checkbox"/>
2 hole, 4" (10cm) centre	<input type="text" value="2"/> <input type="text" value="4"/>	<input type="checkbox"/>
3 hole, 4" (10cm) centre	<input type="text" value="3"/> <input type="text" value="4"/>	<input type="checkbox"/>
2 hole, 8" (20cm) centre	<input type="text" value="2"/> <input type="text" value="8"/>	<input type="checkbox"/>
3 hole, 8" (20cm) centre	<input type="text" value="3"/> <input type="text" value="8"/>	<input type="checkbox"/>
Special Holes*	<input type="text" value="S"/> <input type="text" value="H"/>	<input type="checkbox"/>

*Drawings must be included

Engineer's Approval

Novanni has a policy of continuous improvement. All product specifications may change without notice.

Project Number: _____
 Project Name: _____

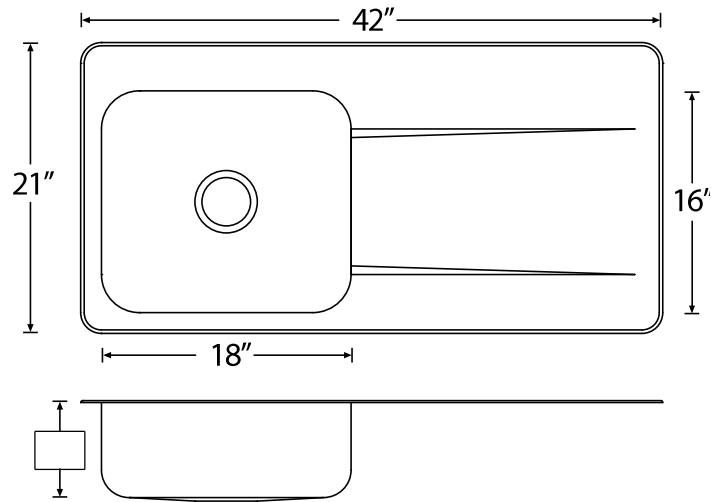
42" x 21"

Fixture #

Model 8200R, **Single bowl with Right Drainboard**,
 300 or 316 Series stainless steel, gauge: 16
 drainboard/18 bowl, exposed surfaces finished to a
 satin finish, 18-8 stainless steel, 3 1/2" or 1 1/2" waste
 assembly included.

Outside dimension: 42" x 21" (107cm x 53cm)
 Standard bowl depth: 7" (18cm)

NOTES:



GAUGE	DRAINBOARD POSITION	OVERALL DIMENSIONS				BOWL DIMENSIONS				STD BOWL DEPTH	
		Left to Right		Front to Back		Left to Right		Front to Back		STD BOWL DEPTH	
16 drainboard/ 18 bowl	RIGHT	42"	107cm	21"	53cm	18"	46cm	16"	41cm	7"	18cm

OPTIONS (check the option(s) you would like and indicate your choices above)

- | | | |
|---|---|--|
| <input type="checkbox"/> A (18 Gauge) | <input type="checkbox"/> F (Left Waste) | <input type="checkbox"/> J (10" Depth) |
| <input type="checkbox"/> B (Mirror Ledge) | <input type="checkbox"/> G (Right Waste) | <input type="checkbox"/> K (12" Depth) |
| <input type="checkbox"/> D (1 1/2" Strainer) | <input type="checkbox"/> H (Stand pipe overflow) | <input type="checkbox"/> OV (Overflow Assembly) |
| <input type="checkbox"/> E (Centre Waste) | <input type="checkbox"/> I (8" Depth) | <input type="checkbox"/> VP (Vandal Resistant Strainer) |

HOLE DRILLINGS

Hole Configuration:	#s to Enter Above	Check here for hole selection	
1 hole	<input type="text" value="1"/> <input type="text" value="0"/>	<input type="checkbox"/>	
2 hole, 4" (10cm) centre	<input type="text" value="2"/> <input type="text" value="4"/>	<input type="checkbox"/>	
3 hole, 4" (10cm) centre	<input type="text" value="3"/> <input type="text" value="4"/>	<input type="checkbox"/>	
2 hole, 8" (20cm) centre	<input type="text" value="2"/> <input type="text" value="8"/>	<input type="checkbox"/>	
3 hole, 8" (20cm) centre	<input type="text" value="3"/> <input type="text" value="8"/>	<input type="checkbox"/>	
Special Holes*	<input type="text" value="S"/> <input type="text" value="H"/>	<input type="checkbox"/>	

*Drawings must be included

Engineer's Approval

Novanni has a policy of continuous improvement.
 All product specifications may change without notice.

Project Number: _____
 Project Name: _____

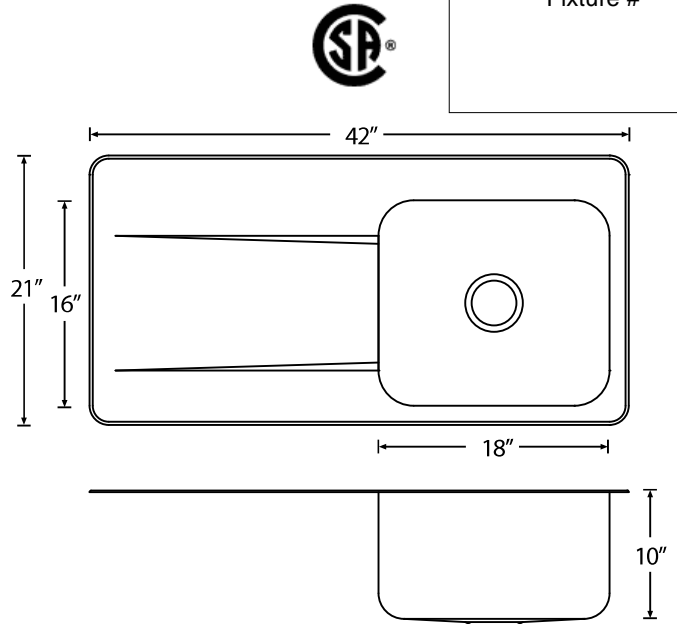
42" x 21"

Fixture #

Model 8201L, **Single bowl with Left Drainboard**,
 300 or 316 Series stainless steel, gauge: 16
 drainboard/ 18 bowl, exposed surfaces finished to a
 satin finish, 18-8 stainless steel, 3 1/2" or 1 1/2" waste
 assembly included.

Outside dimension: 42" x 21" (107cm x 53cm)
 Bowl depth: 10" (25cm)

NOTES:



GAUGE	DRAINBOARD POSITION	OVERALL DIMENSIONS				BOWL DIMENSIONS				BOWL DEPTH	
		Left to Right		Front to Back		Left to Right		Front to Back			
16 drainboard/ 18 bowl	LEFT	42"	107cm	21"	53cm	18"	46cm	16"	41cm	10"	25cm

OPTIONS (check the option(s) you would like and indicate your choices above)

- A** (18 Gauge)
- F** (Left Waste)
- J** (10" Depth)
- B** (Mirror Ledge)
- G** (Right Waste)
- K** (12" Depth)
- D** (1 1/2" Strainer)
- H** (Stand pipe overflow)
- OV** (Overflow Assembly)
- E** (Centre Waste)
- I** (8" Depth)
- VP** (Vandal Resistant Strainer)

HOLE DRILLINGS

Hole Configuration:	#s to Enter Above	Check here for hole selection	
1 hole	<input type="text" value="1"/> <input type="text" value="0"/>	<input type="checkbox"/>	1 0 ⊕
2 hole, 4" (10cm) centre	<input type="text" value="2"/> <input type="text" value="4"/>	<input type="checkbox"/>	2 4 ← 4" →
3 hole, 4" (10cm) centre	<input type="text" value="3"/> <input type="text" value="4"/>	<input type="checkbox"/>	2 8 ← 8" →
2 hole, 8" (20cm) centre	<input type="text" value="2"/> <input type="text" value="8"/>	<input type="checkbox"/>	3 4 ← 2" → ← 2" →
3 hole, 8" (20cm) centre	<input type="text" value="3"/> <input type="text" value="8"/>	<input type="checkbox"/>	3 8 ← 4" → ← 4" →
Special Holes*	<input type="text" value="S"/> <input type="text" value="H"/>	<input type="checkbox"/>	← 4" → ← 8" →

*Drawings must be included

Engineer's Approval

Novanni has a policy of continuous improvement.
 All product specifications may change without notice.

Project Number: _____
 Project Name: _____

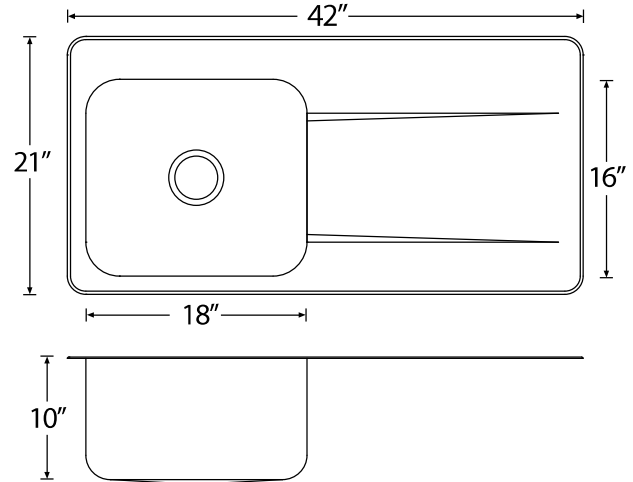
42" x 21"

Fixture #



Model 8201R, **Single bowl with Right Drainboard**,
 300 or 316 Series stainless steel, gauge: 16 drainboard/
 18 bowl, exposed surfaces finished to a satin finish, 18-8
 stainless steel, 3 1/2" or 1 1/2" waste assembly included.

Outside dimension: 42" x 21" (107cm x 53cm)
 Bowl depth: 10" (25cm)



NOTES:

GAUGE	DRAINBOARD POSITION	OVERALL DIMENSIONS				BOWL DIMENSIONS				BOWL DEPTH	
		Left to Right		Front to Back		Left to Right		Front to Back			
16 drainboard/ 18 bowl	RIGHT	42"	107cm	21"	53cm	18"	46cm	16"	41cm	10"	25cm

OPTIONS (check the option(s) you would like and indicate your choices above)

- A** (18 Gauge)
- F** (Left Waste)
- J** (10" Depth)
- B** (Mirror Ledge)
- G** (Right Waste)
- K** (12" Depth)
- D** (1 1/2" Strainer)
- H** (Stand pipe overflow)
- OV** (Overflow Assembly)
- E** (Centre Waste)
- I** (8" Depth)
- VP** (Vandal Resistant Strainer)

HOLE DRILLINGS

Hole Configuration:	#s to Enter Above	Check here for hole selection
1 hole	<input type="text" value="1"/> <input type="text" value="0"/>	<input type="checkbox"/>
2 hole, 4" (10cm) centre	<input type="text" value="2"/> <input type="text" value="4"/>	<input type="checkbox"/>
3 hole, 4" (10cm) centre	<input type="text" value="3"/> <input type="text" value="4"/>	<input type="checkbox"/>
2 hole, 8" (20cm) centre	<input type="text" value="2"/> <input type="text" value="8"/>	<input type="checkbox"/>
3 hole, 8" (20cm) centre	<input type="text" value="3"/> <input type="text" value="8"/>	<input type="checkbox"/>
Special Holes*	<input type="text" value="S"/> <input type="text" value="H"/>	<input type="checkbox"/>

*Drawings must be included

Engineer's Approval

Novanni has a policy of continuous improvement.
 All product specifications may change without notice.

Project Number: _____
 Project Name: _____

62" x 21"

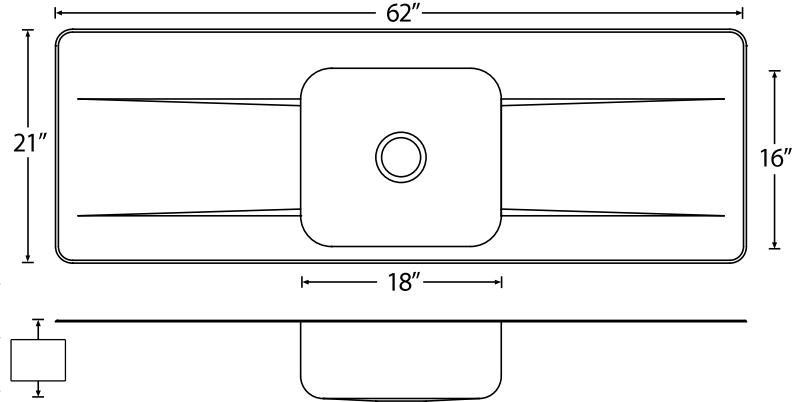
Fixture #



Model 8202LR, **Single bowl with Left Drainboard**,
 300 or 316 Series stainless steel, gauge: 16
 drainboard/ 18 bowl, exposed surfaces finished to
 a satin finish, 18-8 stainless steel, 3 1/2" or 1 1/2"
 waste assembly included.

Outside dimension: 62" x 21" (157cm x 53cm)
 Standard bowl depth: 7" (18cm)

NOTES:



GAUGE	DRAINBOARD POSITION	OVERALL DIMENSIONS				BOWL DIMENSIONS				STD BOWL DEPTH	
		Left to Right		Front to Back		Left to Right		Front to Back			
16 drainboard/ 18 bowl	LEFT & RIGHT	62"	157cm	21"	53cm	18"	46cm	16"	41cm	7"	18cm

OPTIONS (check the option(s) you would like and indicate your choices above)

- | | | |
|---|---|--|
| <input type="checkbox"/> A (18 Gauge) | <input type="checkbox"/> F (Left Waste) | <input type="checkbox"/> J (10" Depth) |
| <input type="checkbox"/> B (Mirror Ledge) | <input type="checkbox"/> G (Right Waste) | <input type="checkbox"/> K (12" Depth) |
| <input type="checkbox"/> D (1 1/2" Strainer) | <input type="checkbox"/> H (Stand pipe overflow) | <input type="checkbox"/> OV (Overflow Assembly) |
| <input type="checkbox"/> E (Centre Waste) | <input type="checkbox"/> I (8" Depth) | <input type="checkbox"/> VP (Vandal Resistant Strainer) |

HOLE DRILLINGS

Hole Configuration:	#s to Enter Above	Check here for hole selection	
1 hole	<input type="text" value="1"/> <input type="text" value="0"/>	<input type="checkbox"/>	
2 hole, 4" (10cm) centre	<input type="text" value="2"/> <input type="text" value="4"/>	<input type="checkbox"/>	
3 hole, 4" (10cm) centre	<input type="text" value="3"/> <input type="text" value="4"/>	<input type="checkbox"/>	
2 hole, 8" (20cm) centre	<input type="text" value="2"/> <input type="text" value="8"/>	<input type="checkbox"/>	
3 hole, 8" (20cm) centre	<input type="text" value="3"/> <input type="text" value="8"/>	<input type="checkbox"/>	
Special Holes*	<input type="text" value="S"/> <input type="text" value="H"/>	<input type="checkbox"/>	

*Drawings must be included

Engineer's Approval

Novanni has a policy of continuous improvement.
 All product specifications may change without notice.

Project Number: _____
 Project Name: _____

62" x 21"

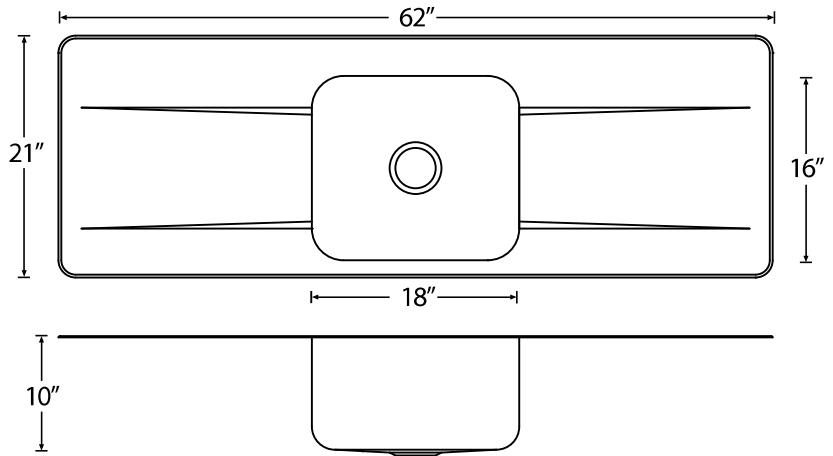
Fixture #



Model 8203LR, **Single bowl with Left & Right Drainboard**, 300 or 316 Series stainless steel, gauge: 16 drainboard/ 18 bowl, exposed surfaces finished to a satin finish, 18-8 stainless steel, 3 1/2" or 1 1/2" waste assembly included.

Outside dimension: 62" x 21" (157cm x 53cm)
 Bowl depth: 10" (25cm)

NOTES:



GAUGE	DRAINBOARD POSITION	OVERALL DIMENSIONS				BOWL DIMENSIONS				BOWL DEPTH	
		Left to Right		Front to Back		Left to Right		Front to Back			
16 drainboard/ 18 bowl	LEFT & RIGHT	62"	157cm	21"	53cm	18"	46cm	16"	41cm	10"	25cm

OPTIONS (check the option(s) you would like and indicate your choices above)

- | | | |
|--|---|--|
| <input type="checkbox"/> N/A A (18 Gauge) | <input type="checkbox"/> F (Left Waste) | <input type="checkbox"/> STD J (10" Depth) |
| <input type="checkbox"/> N/A B (Mirror Ledge) | <input type="checkbox"/> G (Right Waste) | <input type="checkbox"/> N/A K (12" Depth) |
| <input type="checkbox"/> D (1 1/2" Strainer) | <input type="checkbox"/> H (Stand pipe overflow) | <input type="checkbox"/> OV (Overflow Assembly) |
| <input type="checkbox"/> E (Centre Waste) | <input type="checkbox"/> N/A I (8" Depth) | <input type="checkbox"/> VP (Vandal Resistant Strainer) |

HOLE DRILLINGS

Hole Configuration:	#s to Enter Above	Check here for hole selection
1 hole	<input type="text" value="1"/> <input type="text" value="0"/>	<input type="checkbox"/>
2 hole, 4" (10cm) centre	<input type="text" value="2"/> <input type="text" value="4"/>	<input type="checkbox"/>
3 hole, 4" (10cm) centre	<input type="text" value="3"/> <input type="text" value="4"/>	<input type="checkbox"/>
2 hole, 8" (20cm) centre	<input type="text" value="2"/> <input type="text" value="8"/>	<input type="checkbox"/>
3 hole, 8" (20cm) centre	<input type="text" value="3"/> <input type="text" value="8"/>	<input type="checkbox"/>
Special Holes*	<input type="text" value="S"/> <input type="text" value="H"/>	<input type="checkbox"/>

*Drawings must be included

Engineer's Approval

Novanni has a policy of continuous improvement. All product specifications may change without notice.