

Project Number: \_\_\_\_\_  
 Project Name: \_\_\_\_\_

**18 3/4" x 19 1/2"**

Fixture #

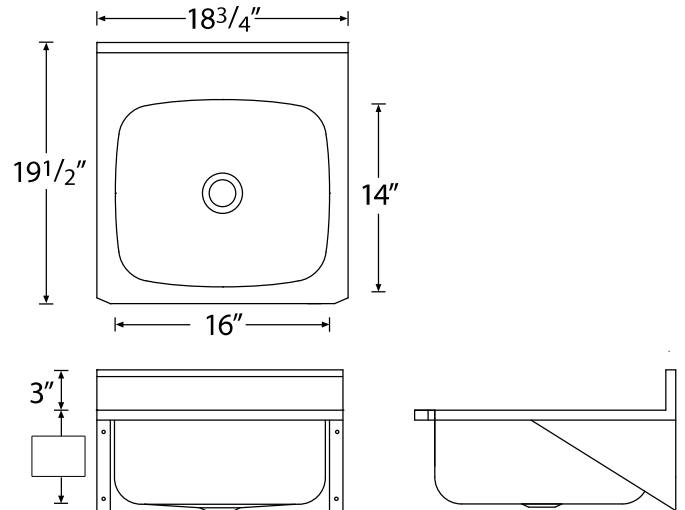


Model 8100, **Single bowl hand wash**, 300 or 316 Series stainless steel, 18 gauge, exposed surfaces finished to a satin finish, 18-8 stainless steel, 3 1/2" or 1 1/2" waste assembly included. 16 gauge angle brackets. Wall hanger bracket included.

Outside dimension: 18 3/4" x 19 1/2" (47cm x 48cm)  
 Standard bowl depth: 7" (18cm)

NOTES:

\_\_\_\_\_  
 \_\_\_\_\_  
 \_\_\_\_\_  
 \_\_\_\_\_



GAUGE	BACKSPLASH HEIGHT		OVERALL DIMENSIONS				BOWL DIMENSIONS				STD BOWL DEPTH	
			Left to Right		Front to Back		Left to Right		Front to Back			
18	3"	8cm	18 3/4"	47cm	19 1/2"	48cm	16"	41cm	14"	36cm	7"	18cm

**OPTIONS** (check the option(s) you would like and indicate your choices above)

- |  |   |  |
|--|---|--|
| <input checked="" type="checkbox"/> <b>A</b> (18 Gauge)        | <input type="checkbox"/> <b>F</b> (Left Waste)          | <input type="checkbox"/> <b>J</b> (10" Depth)                  |
| <input type="checkbox"/> <b>B</b> (Mirror Ledge)               | <input type="checkbox"/> <b>G</b> (Right Waste)         | <input type="checkbox"/> <b>K</b> (12" Depth)                  |
| <input checked="" type="checkbox"/> <b>D</b> (1 1/2" Strainer) | <input type="checkbox"/> <b>H</b> (Stand pipe overflow) | <input type="checkbox"/> <b>OV</b> (Overflow Assembly)         |
| <input type="checkbox"/> <b>E</b> (Centre Waste)               | <input type="checkbox"/> <b>I</b> (8" Depth)            | <input type="checkbox"/> <b>VP</b> (Vandal Resistant Strainer) |

**HOLE DRILLINGS**

Hole Configuration:	#s to Enter Above	Check here for hole selection
1 hole	<input type="text" value="1"/> <input type="text" value="0"/>	<input type="checkbox"/>
2 hole, 4" (10cm) centre	<input type="text" value="2"/> <input type="text" value="4"/>	<input type="checkbox"/>
3 hole, 4" (10cm) centre	<input type="text" value="3"/> <input type="text" value="4"/>	<input type="checkbox"/>
2 hole, 8" (20cm) centre	<input type="text" value="2"/> <input type="text" value="8"/>	<input type="checkbox"/>
3 hole, 8" (20cm) centre	<input type="text" value="3"/> <input type="text" value="8"/>	<input type="checkbox"/>
Special Holes*	<input type="text" value="S"/> <input type="text" value="H"/>	<input type="checkbox"/>

\*Drawings must be included

Engineer's Approval

\_\_\_\_\_  
 \_\_\_\_\_

Novanni has a policy of continuous improvement. All product specifications may change without notice.

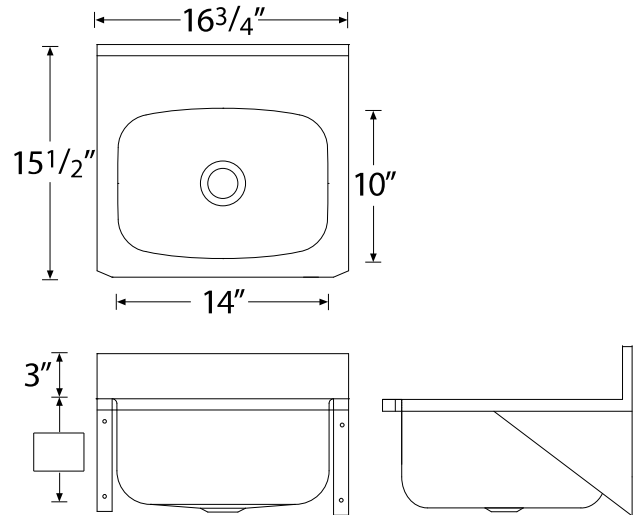
Project Number: \_\_\_\_\_  
 Project Name: \_\_\_\_\_

16 3/4" x 15 1/2"

Fixture #  
 \_\_\_\_\_

Model 8101, **Single bowl hand wash**, 300 or 316 Series stainless steel, 18 gauge, exposed surfaces finished to a satin finish, 18-8 stainless steel, 1 1/2" waste assembly included. 16 gauge angle brackets. Wall hanger bracket included.

Outside dimension: 16 3/4" x 15 1/2" (43cm x 39cm)  
 Standard bowl depth: 7" (18cm)



NOTES:

\_\_\_\_\_  
 \_\_\_\_\_  
 \_\_\_\_\_  
 \_\_\_\_\_

GAUGE	BACKSPLASH HEIGHT		OVERALL DIMENSIONS				BOWL DIMENSIONS				STD BOWL DEPTH	
			Left to Right		Front to Back		Left to Right		Front to Back			
18	3"	8cm	16 3/4"	43cm	15 1/2"	39cm	14"	36cm	10"	25cm	7"	18cm

**OPTIONS** (check the option(s) you would like and indicate your choices above)

- |  |   |  |
|--|---|--|
| <input checked="" type="checkbox"/> <b>A</b> (18 Gauge)        | <input type="checkbox"/> <b>F</b> (Left Waste)          | <input type="checkbox"/> <b>J</b> (10" Depth)                  |
| <input type="checkbox"/> <b>B</b> (Mirror Ledge)               | <input type="checkbox"/> <b>G</b> (Right Waste)         | <input type="checkbox"/> <b>K</b> (12" Depth)                  |
| <input checked="" type="checkbox"/> <b>D</b> (1 1/2" Strainer) | <input type="checkbox"/> <b>H</b> (Stand pipe overflow) | <input type="checkbox"/> <b>OV</b> (Overflow Assembly)         |
| <input type="checkbox"/> <b>E</b> (Centre Waste)               | <input type="checkbox"/> <b>I</b> (8" Depth)            | <input type="checkbox"/> <b>VP</b> (Vandal Resistant Strainer) |

**HOLE DRILLINGS**

Hole Configuration:	#s to Enter Above	Check here for hole selection
1 hole	<input type="text" value="1"/> <input type="text" value="0"/>	<input type="checkbox"/>
2 hole, 4" (10cm) centre	<input type="text" value="2"/> <input type="text" value="4"/>	<input type="checkbox"/>
3 hole, 4" (10cm) centre	<input type="text" value="3"/> <input type="text" value="4"/>	<input type="checkbox"/>
2 hole, 8" (20cm) centre	<input type="text" value="2"/> <input type="text" value="8"/>	<input type="checkbox"/>
3 hole, 8" (20cm) centre	<input type="text" value="3"/> <input type="text" value="8"/>	<input type="checkbox"/>
Special Holes*	<input type="text" value="S"/> <input type="text" value="H"/>	<input type="checkbox"/>

\*Drawings must be included

Engineer's Approval

\_\_\_\_\_  
 \_\_\_\_\_

Novanni has a policy of continuous improvement. All product specifications may change without notice.

Project Number: \_\_\_\_\_  
 Project Name: \_\_\_\_\_

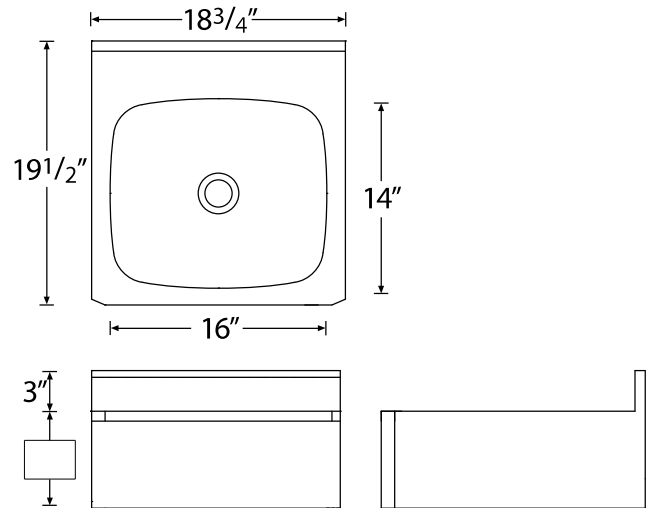
**18 3/4" x 19 1/2"**

Model 8110, **Single bowl hand wash**, complete with appearance shroud, 300 or 316 Series stainless steel, 18 gauge, exposed surfaces finished to a satin finish, 18-8 stainless steel, 1 1/2" waste assembly included. Wall hanger bracket included.

Outside dimension: 18 3/4" x 19 1/2" (47cm x 48cm)  
 Standard bowl depth: 7" (18cm)



Fixture #



NOTES:

---



---



---



---

GAUGE	BACKSPLASH HEIGHT		OVERALL DIMENSIONS				BOWL DIMENSIONS				STD BOWL DEPTH	
			Left to Right		Front to Back		Left to Right		Front to Back			
18	3"	8cm	18 3/4"	47cm	19 1/2"	48cm	16"	41cm	14"	36cm	7"	18cm

**OPTIONS** (check the option(s) you would like and indicate your choices above)

- |  |   |  |
|--|---|--|
| <input checked="" type="checkbox"/> <b>A</b> (18 Gauge)        | <input type="checkbox"/> <b>F</b> (Left Waste)          | <input type="checkbox"/> <b>J</b> (10" Depth)                  |
| <input type="checkbox"/> <b>B</b> (Mirror Ledge)               | <input type="checkbox"/> <b>G</b> (Right Waste)         | <input type="checkbox"/> <b>K</b> (12" Depth)                  |
| <input checked="" type="checkbox"/> <b>D</b> (1 1/2" Strainer) | <input type="checkbox"/> <b>H</b> (Stand pipe overflow) | <input type="checkbox"/> <b>OV</b> (Overflow Assembly)         |
| <input type="checkbox"/> <b>E</b> (Centre Waste)               | <input type="checkbox"/> <b>I</b> (8" Depth)            | <input type="checkbox"/> <b>VP</b> (Vandal Resistant Strainer) |

**HOLE DRILLINGS**

Hole Configuration:	#s to Enter Above	Check here for hole selection
1 hole	<input type="text" value="1"/> <input type="text" value="0"/>	<input type="checkbox"/>
2 hole, 4" (10cm) centre	<input type="text" value="2"/> <input type="text" value="4"/>	<input type="checkbox"/>
3 hole, 4" (10cm) centre	<input type="text" value="3"/> <input type="text" value="4"/>	<input type="checkbox"/>
2 hole, 8" (20cm) centre	<input type="text" value="2"/> <input type="text" value="8"/>	<input type="checkbox"/>
3 hole, 8" (20cm) centre	<input type="text" value="3"/> <input type="text" value="8"/>	<input type="checkbox"/>
Special Holes*	<input type="text" value="S"/> <input type="text" value="H"/>	<input type="checkbox"/>

\*Drawings must be included

Engineer's Approval

Novanni has a policy of continuous improvement. All product specifications may change without notice.