

Project Number: _____

Project Name: _____

19 1/2" x 16 3/4"

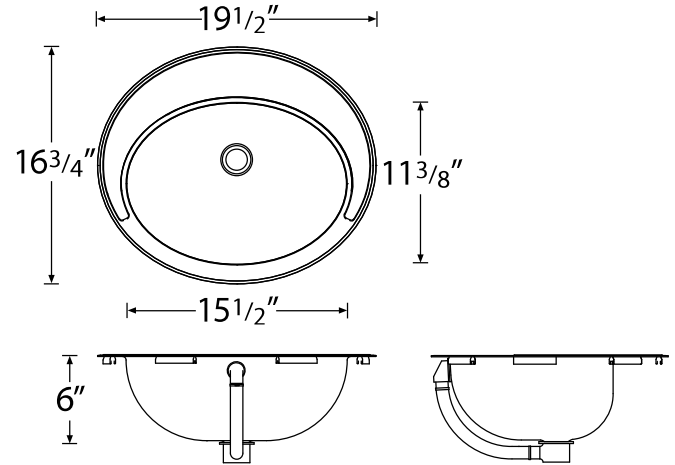


Fixture #

Model 9300, **Oval Lavatory**, 300 Series stainless steel, 18 gauge, "U" channel clamp system, exposed surfaces finished to a satin finish, 18-8 stainless steel, 1 1/2" waste assembly included. Overflow assembly included.

Outside dimension: 19 1/2" x 16 3/4" (50cm x 43cm)
 Bowl depth: 6" (15cm)

NOTES:



GAUGE	BOWL STYLE	OUTSIDE DIMENSIONS		INSIDE DIMENSIONS		BOWL DEPTH		OVERFLOW				
		Left to Right	Front to Back	Left to Right	Front to Back							
18	Oval	19 1/2"	50cm	16 3/4"	43cm	15 1/2"	39	11 3/8"	29cm	6"	15cm	YES

OPTIONS (no options available)

HOLE DRILLINGS

Hole Configuration:	#s to Enter Above	Check here for hole selection	
1 hole	<input type="text" value="1"/> <input type="text" value="0"/>	<input type="checkbox"/>	
2 hole, 4" (10cm) centre	<input type="text" value="2"/> <input type="text" value="4"/>	<input type="checkbox"/>	
3 hole, 4" (10cm) centre	<input type="text" value="3"/> <input type="text" value="4"/>	<input type="checkbox"/>	
2 hole, 8" (20cm) centre	<input type="text" value="2"/> <input type="text" value="8"/>	<input type="checkbox"/>	
3 hole, 8" (20cm) centre	<input type="text" value="3"/> <input type="text" value="8"/>	<input type="checkbox"/>	
Special Holes*	<input type="text" value="S"/> <input type="text" value="H"/>	<input type="checkbox"/>	

*Drawings must be included

Engineer's Approval

Novanni has a policy of continuous improvement. All product specifications may change without notice.

Project Number: _____

Project Name: _____

20" x 16 3/4"

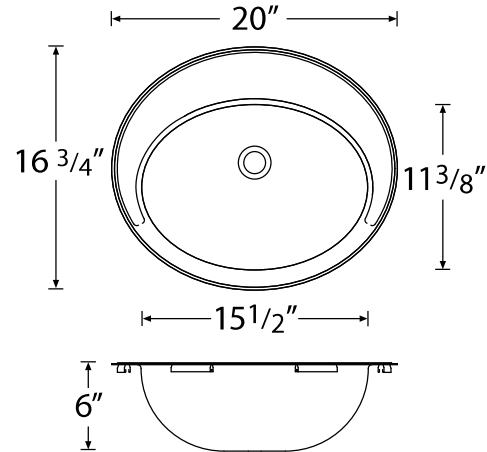
Fixture #



Model 9301, **Oval Lavatory**, 300 Series stainless steel, 18 gauge, "U" channel clamp system, exposed surfaces finished to a satin finish, 18-8 stainless steel, 1 1/2" waste assembly included.

Outside dimension: 20" x 16 3/4" (51cm x 43cm)

Bowl depth: 6" (15cm)



NOTES:

GAUGE	BOWL STYLE	OUTSIDE DIMENSIONS		INSIDE DIMENSIONS		BOWL DEPTH		OVERFLOW				
		Left to Right	Front to Back	Left to Right	Front to Back							
18	Oval	20"	51cm	16 3/4"	43cm	15 1/2"	39	11 3/8"	29cm	6"	15cm	NO

OPTIONS (no options available)

HOLE DRILLINGS

Hole Configuration:	#s to Enter Above	Check here for hole selection	
1 hole	<input type="text" value="1"/> <input type="text" value="0"/>	<input type="checkbox"/>	
2 hole, 4" (10cm) centre	<input type="text" value="2"/> <input type="text" value="4"/>	<input type="checkbox"/>	
3 hole, 4" (10cm) centre	<input type="text" value="3"/> <input type="text" value="4"/>	<input type="checkbox"/>	
2 hole, 8" (20cm) centre	<input type="text" value="2"/> <input type="text" value="8"/>	<input type="checkbox"/>	
3 hole, 8" (20cm) centre	<input type="text" value="3"/> <input type="text" value="8"/>	<input type="checkbox"/>	
Special Holes*	<input type="text" value="S"/> <input type="text" value="H"/>	<input type="checkbox"/>	

*Drawings must be included

Engineer's Approval

Novanni has a policy of continuous improvement. All product specifications may change without notice.

Project Number: _____

Project Name: _____

16" x 12 1/2"

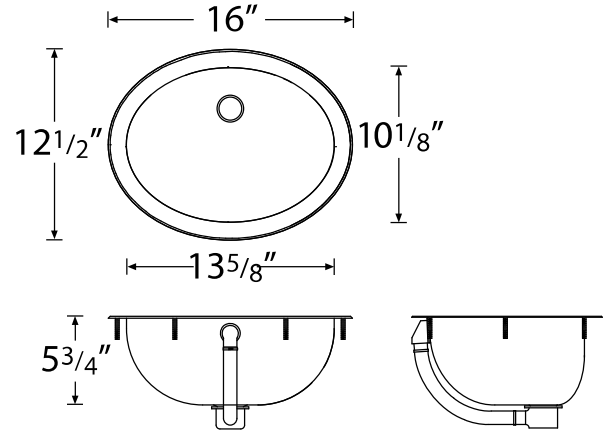
Fixture #



Model 9302, **Oval Lavatory**, 300 Series stainless steel, 18 gauge, exposed surfaces finished to a satin finish, 18-8 stainless steel, 1 1/2" waste assembly included. Overflow included.

Outside dimension: 16" x 12 1/2" (41cm x 32cm)

Bowl depth: 5 3/4" (15cm)



NOTES:

GAUGE	BOWL STYLE	OUTSIDE DIMENSIONS		INSIDE DIMENSIONS		BOWL DEPTH		OVERFLOW				
		Left to Right	Front to Back	Left to Right	Front to Back							
18	Oval	16"	41cm	12 1/2"	32cm	13 5/8"	35	10 1/8"	26cm	5 3/4"	15cm	YES

OPTIONS (no options available)

Engineer's Approval

Novanni has a policy of continuous improvement. All product specifications may change without notice.

Project Number: _____

Project Name: _____

20" x 17"

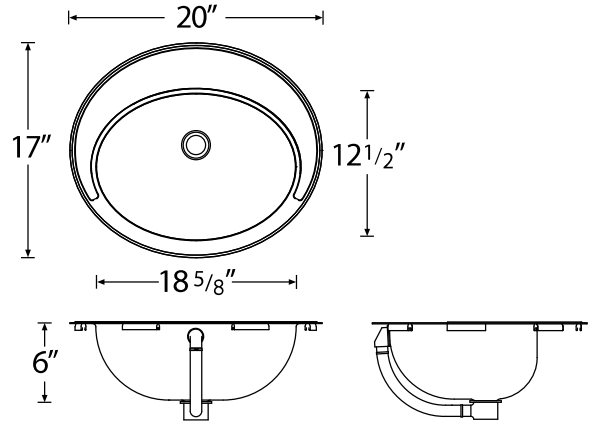
Fixture #



Model 9304, **Oval Lavatory**, 300 Series stainless steel, 18 gauge, exposed surfaces finished to a satin finish, 18-8 stainless steel, 1 1/2" waste assembly included. Overflow assembly included.

Outside dimension: 20" x 17" (51cm x 43cm)

Bowl depth: 6" (15cm)



NOTES:

GAUGE	BOWL STYLE	OUTSIDE DIMENSIONS		INSIDE DIMENSIONS				BOWL DEPTH		OVERFLOW		
		Left to Right		Front to Back		Left to Right		Front to Back				
18	Oval	20"	51cm	17"	43cm	18 5/8"	47	12 1/2"	32cm	6"	15cm	YES

OPTIONS (no options available)

HOLE DRILLINGS

Hole Configuration:	#s to Enter Above	Check here for hole selection	
1 hole	<input type="text" value="1"/> <input type="text" value="0"/>	<input type="checkbox"/>	
2 hole, 4" (10cm) centre	<input type="text" value="2"/> <input type="text" value="4"/>	<input type="checkbox"/>	
3 hole, 4" (10cm) centre	<input type="text" value="3"/> <input type="text" value="4"/>	<input type="checkbox"/>	
2 hole, 8" (20cm) centre	<input type="text" value="2"/> <input type="text" value="8"/>	<input type="checkbox"/>	
3 hole, 8" (20cm) centre	<input type="text" value="3"/> <input type="text" value="8"/>	<input type="checkbox"/>	
Special Holes*	<input type="text" value="S"/> <input type="text" value="H"/>	<input type="checkbox"/>	

*Drawings must be included

Engineer's Approval

Novanni has a policy of continuous improvement. All product specifications may change without notice.

Project Number: _____

Project Name: _____

18" x 14 1/4"

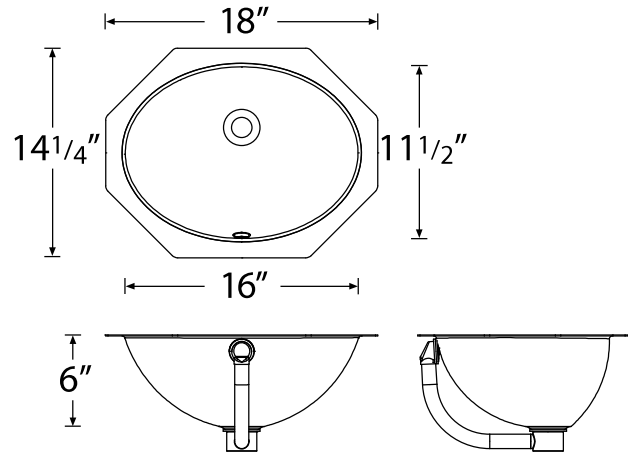
Fixture #

Model 9315, **Oval Undermount Lavatory**, 300 Series stainless steel, 20 gauge, exposed surfaces finished to a satin finish, 18-8 stainless steel, 1 1/2" waste assembly included.



Outside dimension: 18" x 14 1/4" (46cm x 36cm)
 Bowl depth: 6" (15cm)

NOTES:



GAUGE	BOWL STYLE	OUTSIDE DIMENSIONS				INSIDE DIMENSIONS				BOWL DEPTH		OVERFLOW
		Left to Right		Front to Back		Left to Right		Front to Back				
20	Oval Undermount	18"	46cm	14 1/4"	36cm	16"	41	11 1/2"	29cm	6"	15cm	YES

OPTIONS (no options available)

HOLE DRILLINGS

Hole Configuration:	#s to Enter Above	Check here for hole selection	
1 hole	<input type="text" value="1"/> <input type="text" value="0"/>	<input type="checkbox"/>	
2 hole, 4" (10cm) centre	<input type="text" value="2"/> <input type="text" value="4"/>	<input type="checkbox"/>	
3 hole, 4" (10cm) centre	<input type="text" value="3"/> <input type="text" value="4"/>	<input type="checkbox"/>	
2 hole, 8" (20cm) centre	<input type="text" value="2"/> <input type="text" value="8"/>	<input type="checkbox"/>	
3 hole, 8" (20cm) centre	<input type="text" value="3"/> <input type="text" value="8"/>	<input type="checkbox"/>	
Special Holes*	<input type="text" value="S"/> <input type="text" value="H"/>	<input type="checkbox"/>	

*Drawings must be included

Engineer's Approval

Novanni has a policy of continuous improvement. All product specifications may change without notice.