

Project Number: _____

Project Name: _____

19" x 17"

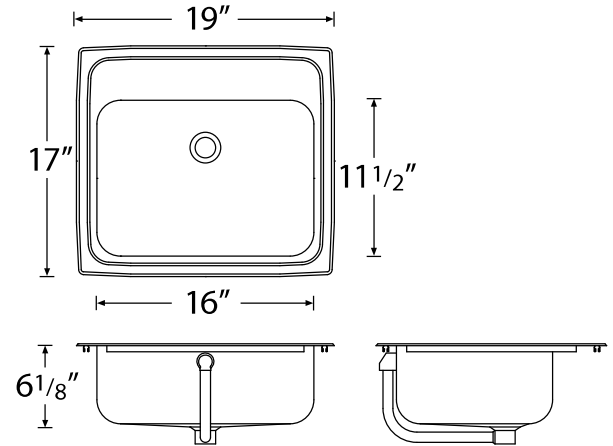
Fixture #



Model 9306, **Rectangular Lavatory**, 300 Series stainless steel, 20 gauge, "U" channel clamp system, exposed surfaces finished to a satin finish, 18-8 stainless steel, 1 1/2" waste assembly included.

Outside dimension: 19" x 17" (48cm x 43cm)

Bowl depth: 6 1/8" (16cm)



NOTES:

| GAUGE | BOWL STYLE | OUTSIDE DIMENSIONS | | INSIDE DIMENSIONS | | BOWL DEPTH | | OVERFLOW | | | | |
|-------|-------------|--------------------|---------------|-------------------|---------------|------------|------|----------|------|--------|------|-----|
| | | Left to Right | Front to Back | Left to Right | Front to Back | | | | | | | |
| 20 | Rectangular | 19" | 48cm | 17" | 43cm | 16" | 41cm | 11 1/2" | 29cm | 6 1/8" | 16cm | YES |

OPTIONS (no options available)

HOLE DRILLINGS

| | | | |
|--------------------------|---|-------------------------------|--|
| Hole Configuration: | #s to Enter Above | Check here for hole selection | |
| 1 hole | <input type="text" value="1"/> <input type="text" value="0"/> | <input type="checkbox"/> | |
| 2 hole, 4" (10cm) centre | <input type="text" value="2"/> <input type="text" value="4"/> | <input type="checkbox"/> | |
| 3 hole, 4" (10cm) centre | <input type="text" value="3"/> <input type="text" value="4"/> | <input type="checkbox"/> | |
| 2 hole, 8" (20cm) centre | <input type="text" value="2"/> <input type="text" value="8"/> | <input type="checkbox"/> | |
| 3 hole, 8" (20cm) centre | <input type="text" value="3"/> <input type="text" value="8"/> | <input type="checkbox"/> | |
| Special Holes* | <input type="text" value="S"/> <input type="text" value="H"/> | <input type="checkbox"/> | |

*Drawings must be included

Engineer's Approval

Novanni has a policy of continuous improvement. All product specifications may change without notice.