

Project Number: _____

Project Name: _____

19" Round

Fixture #

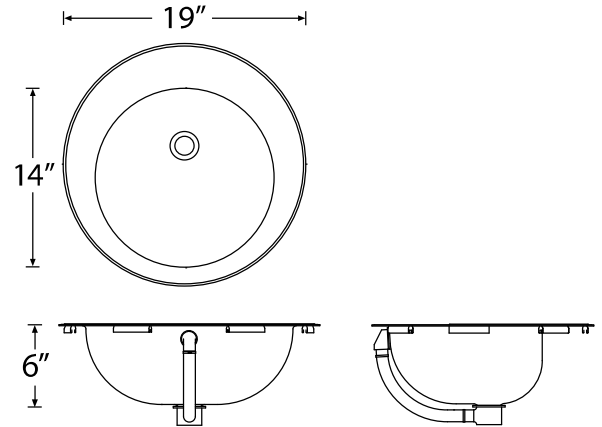


Model 9303, **Round Lavatory**, 300 Series stainless steel, 18 gauge, exposed surfaces finished to a satin finish, 18-8 stainless steel, 1 1/2" waste assembly included. Overflow included.

Outside dimension: 19" (48cm)

Inside dimension: 14" (36cm)

Bowl depth: 7" (18cm)



NOTES:

GAUGE	BOWL STYLE	DIAMETER		BOWL DEPTH		OVERFLOW		
		Outside	Inside					
18	Round	19"	48cm	14"	36cm	7"	18cm	YES

OPTIONS (no options available)

HOLE DRILLINGS

Hole Configuration:	#s to Enter Above	Check here for hole selection	
1 hole	<input type="text" value="1"/> <input type="text" value="0"/>	<input type="checkbox"/>	
2 hole, 4" (10cm) centre	<input type="text" value="2"/> <input type="text" value="4"/>	<input type="checkbox"/>	
3 hole, 4" (10cm) centre	<input type="text" value="3"/> <input type="text" value="4"/>	<input type="checkbox"/>	
2 hole, 8" (20cm) centre	<input type="text" value="2"/> <input type="text" value="8"/>	<input type="checkbox"/>	
3 hole, 8" (20cm) centre	<input type="text" value="3"/> <input type="text" value="8"/>	<input type="checkbox"/>	
Special Holes*	<input type="text" value="S"/> <input type="text" value="H"/>	<input type="checkbox"/>	

*Drawings must be included

Engineer's Approval

Novanni has a policy of continuous improvement. All product specifications may change without notice.

Project Number: _____

Project Name: _____

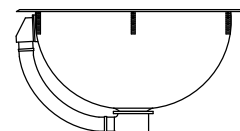
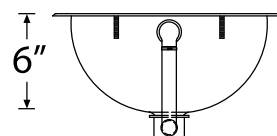
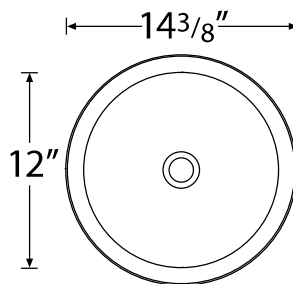
Model 9307, **Round Lavatory**, 300 Series stainless steel, 18 gauge, exposed surfaces finished to a satin finish, 18-8 stainless steel, 1 1/2" waste assembly included.



14 3/8" Round

Fixture #

Outside dimension: 14 3/8" (37cm)
 Inside dimension: 12" (30cm)
 Bowl depth: 6" (15cm)



NOTES:

GAUGE	BOWL STYLE	DIAMETER		BOWL DEPTH	OVERFLOW			
		Outside	Inside					
18	Round	14 3/8"	37cm	12"	30cm	6"	15cm	YES

OPTIONS (no options available)

Engineer's Approval

Novanni has a policy of continuous improvement.
 All product specifications may change without notice.

Project Number: _____

Project Name: _____

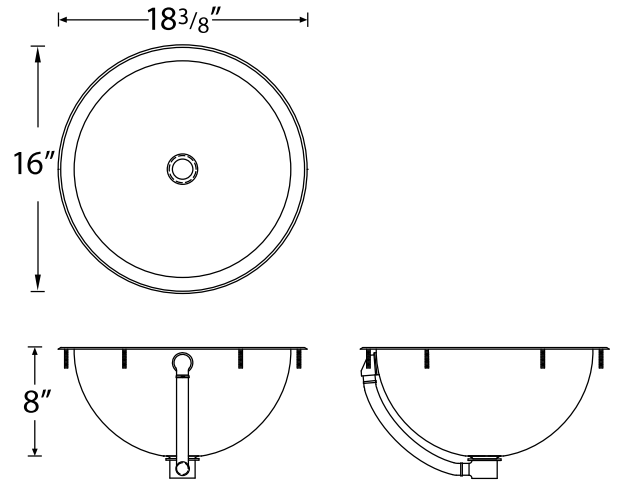
Model 9308, **Round Lavatory**, 300 Series stainless steel, 18 gauge, exposed surfaces finished to a satin finish, 18-8 stainless steel, 1 1/2" waste assembly included.



18 3/8" Round

Fixture #

Outside dimension: 18 3/8" (47cm)
 Inside dimension: 16" (41cm)
 Bowl depth: 8" (20cm)



NOTES:

GAUGE	BOWL STYLE	DIAMETER		BOWL DEPTH	OVERFLOW
		Outside	Inside		
18	Round	18 3/8"	16"	8"	YES

OPTIONS (no options available)

Engineer's Approval

Novanni has a policy of continuous improvement.
 All product specifications may change without notice.

Project Number: _____

Project Name: _____

11 3/8" Round



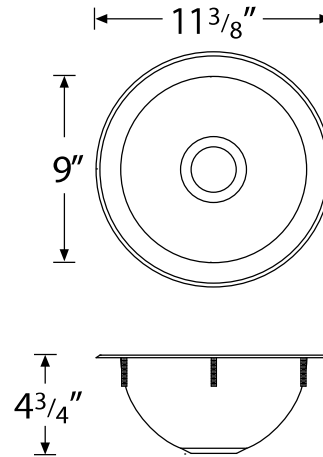
Fixture #

Model 9310, **Round Lavatory**, 300 Series stainless steel, 18 gauge, exposed surfaces finished to a satin finish, 18-8 stainless steel, 1 1/2" waste assembly included.

Outside dimension: 11 3/8" (29cm)

Inside dimension: 9" (23cm)

Bowl depth: 4 3/4" (12cm)



NOTES:

GAUGE	BOWL STYLE	DIAMETER				BOWL DEPTH		OVERFLOW
		Outside		Inside				
18	Round	11 3/8"	29cm	9"	23cm	4 3/4"	12cm	NO

OPTIONS (no options available)

Engineer's Approval

Novanni has a policy of continuous improvement. All product specifications may change without notice.

Project Number: _____

Project Name: _____

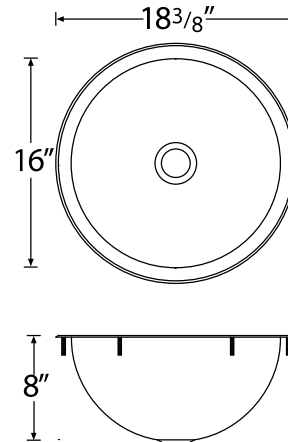
Model 9312, **Round Lavatory**, 300 Series stainless steel, 18 gauge, exposed surfaces finished to a satin finish, 18-8 stainless steel, 1 1/2" waste assembly included.



18 3/8" Round

Fixture #

Outside dimension: 18 3/8" (47cm)
 Inside dimension: 16" (41cm)
 Bowl depth: 8" (20cm)



NOTES:

GAUGE	BOWL STYLE	DIAMETER		BOWL DEPTH	OVERFLOW			
		Outside	Inside					
18	Round	18 3/8"	47cm	16"	41cm	8"	20cm	NO

OPTIONS (no options available)

Engineer's Approval

Novanni has a policy of continuous improvement.
 All product specifications may change without notice.