

Project Number: \_\_\_\_\_

Project Name: \_\_\_\_\_

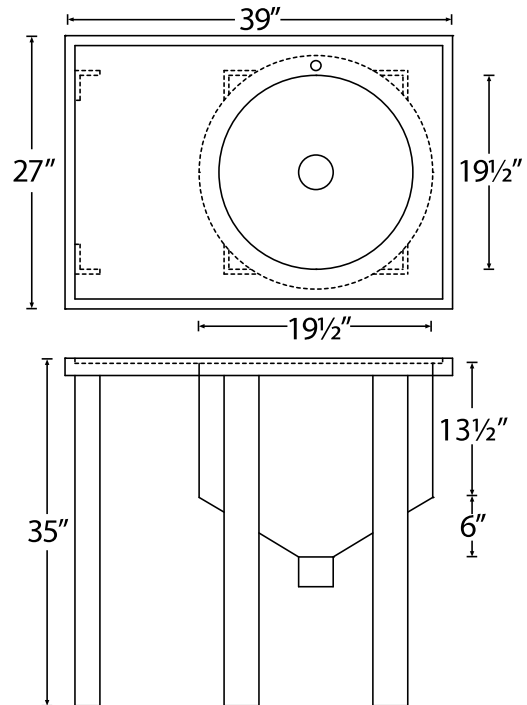
**39" x 27"**

Fixture #



Model 9003, **Single sludge sampling**, 300 or 316 Series Stainless steel, gauge: 16 top/14 sink, exposed surfaces finished to a satin finish, 18-8 stainless steel, no splash rim, 3/4" (O.D.) flush ring, 3" threaded waste outlet.

Outside dimension: 39" x 27" (99cm x 69cm)  
Bowl depth: 13 1/2" (34cm) with 6" (15cm) cone



NOTES:

---

---

---

---

GAUGE	BACKSPLASH	OVERALL DIMENSIONS				BOWL DIMENSIONS				BOWL DEPTH	
		Left to Right		Front to Back		Left to Right		Front to Back			
16 top/14 sink	OPTIONAL	39"	99cm	27"	69cm	19 1/2"	50cm	19 1/2"	50cm	13 1/2" w/ 6" cone	38cm w/ 15cm cone

**OPTIONS** (no options available)

Engineer's Approval

Novanni has a policy of continuous improvement.  
All product specifications may change without notice.

9004

9004/316

Input Options chosen below

Project Number: \_\_\_\_\_

Project Name: \_\_\_\_\_

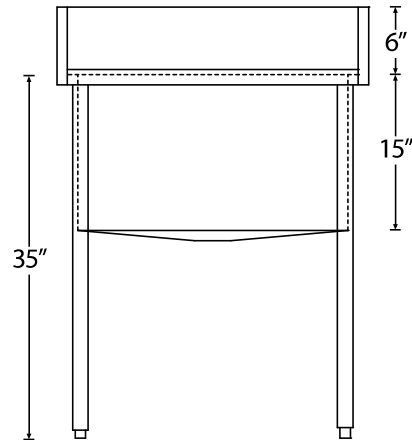
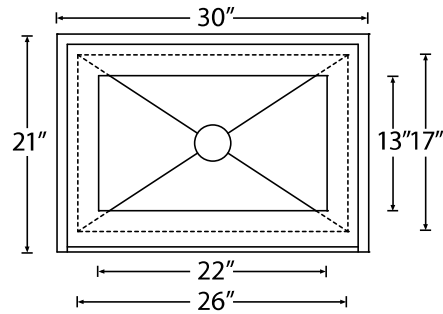
30" x 21"

Fixture #

Model 9004, **Single sludge sampling**, 300 or 316 Series Stainless steel, gauge: 16 top/14 sink, exposed surfaces finished to a satin finish, 18-8 stainless steel, no splash rim, 3/4" (O.D.) flush ring.

Outside dimension: 30" x 21" (76cm x 53cm)

Bowl depth: 15" (38cm)



NOTES:

\_\_\_\_\_  
\_\_\_\_\_  
\_\_\_\_\_  
\_\_\_\_\_

GAUGE	BACKSPLASH		OVERALL DIMENSIONS				BOWL DIMENSIONS				BOWL DEPTH	
			Left to Right		Front to Back		Left to Right		Front to Back			
16 top/14 sink	6"	15cm	30"	76cm	21"	53cm	22"	56cm	13"	33cm	15"	38cm

**OPTIONS** (no options available)

Engineer's Approval

Novanni has a policy of continuous improvement.  
All product specifications may change without notice.

45" x 21"

Fixture #



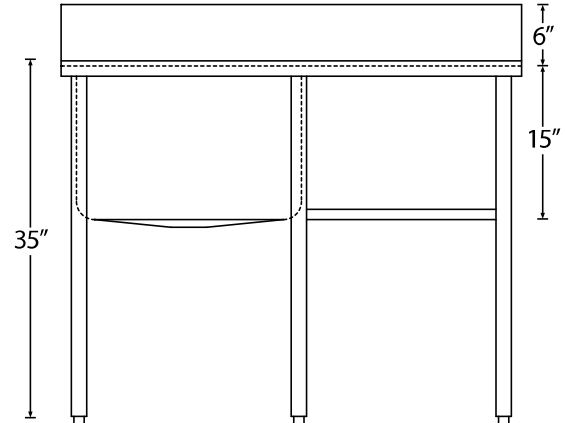
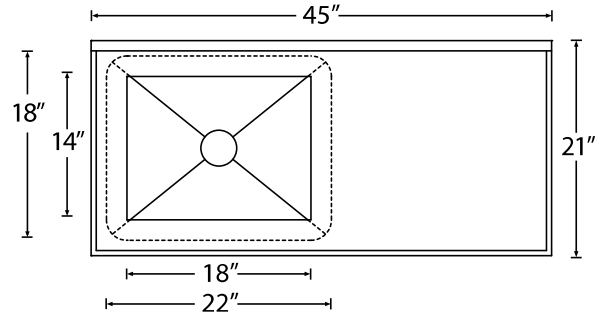
Project Number: \_\_\_\_\_

Project Name: \_\_\_\_\_

Model 9005, **Single sludge sampling**, 300 or 316 Series Stainless steel, gauge: 16 top/14 sink, exposed surfaces finished to a satin finish, 18-8 stainless steel, no splash rim, 3/4" (O.D.) flush ring.

Outside dimension: 45" x 21" (114cm x 53cm)

Bowl depth: 15" (38cm)



NOTES:

\_\_\_\_\_  
\_\_\_\_\_  
\_\_\_\_\_  
\_\_\_\_\_

GAUGE	BACKSPLASH		OVERALL DIMENSIONS				BOWL DIMENSIONS				BOWL DEPTH	
			Left to Right		Front to Back		Left to Right		Front to Back			
16 top/14 sink	6"	15cm	45"	114cm	21"	53cm	22"	56cm	14"	36cm	15"	38cm

**OPTIONS** (no options available)

Engineer's Approval

Novanni has a policy of continuous improvement. All product specifications may change without notice.

Project Number: \_\_\_\_\_

Project Name: \_\_\_\_\_

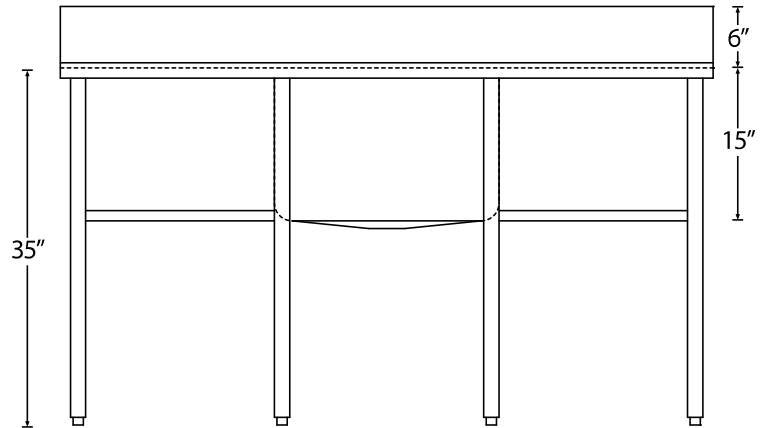
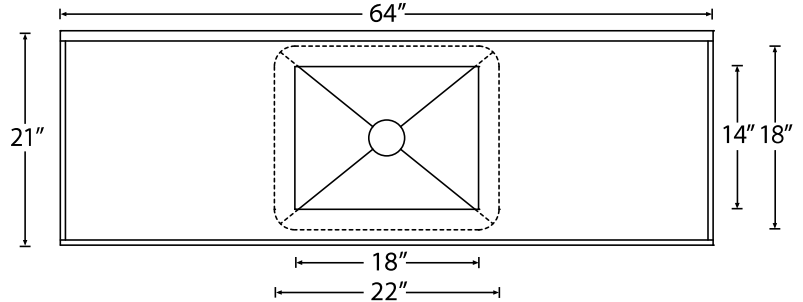
64" x 21"

Fixture #



Model 9006, **Single sludge sampling**, 300 or 316 Series Stainless steel, gauge: 16 top/14 sink, exposed surfaces finished to a satin finish, 18-8 stainless steel, no splash rim, 3/4" (O.D.) flush ring.

Outside dimension: 64" x 21" (163cm x 53cm)  
 Bowl depth: 15" (38cm)



NOTES:

\_\_\_\_\_  
 \_\_\_\_\_  
 \_\_\_\_\_  
 \_\_\_\_\_

GAUGE	BACKSPLASH		OVERALL DIMENSIONS				BOWL DIMENSIONS				BOWL DEPTH	
			Left to Right		Front to Back		Left to Right		Front to Back			
16 top/14 sink	6"	15cm	64"	163cm	21"	53cm	22"	56cm	14"	36cm	15"	38cm

**OPTIONS** (no options available)

**HOLE DRILLINGS**

Hole Configuration:	#s to Enter Above	Check here for hole selection	
1 hole	<input type="text" value="1"/> <input type="text" value="0"/>	<input type="checkbox"/>	1 0
2 hole, 4" (10cm) centre	<input type="text" value="2"/> <input type="text" value="4"/>	<input type="checkbox"/>	2 4
3 hole, 4" (10cm) centre	<input type="text" value="3"/> <input type="text" value="4"/>	<input type="checkbox"/>	3 4
2 hole, 8" (20cm) centre	<input type="text" value="2"/> <input type="text" value="8"/>	<input type="checkbox"/>	2 8
3 hole, 8" (20cm) centre	<input type="text" value="3"/> <input type="text" value="8"/>	<input type="checkbox"/>	3 8
Special Holes*	<input type="text" value="S"/> <input type="text" value="H"/>	<input type="checkbox"/>	

\*Drawings must be included

Engineer's Approval

Novanni has a policy of continuous improvement. All product specifications may change without notice.