

64 1/2" x 27 1/2"

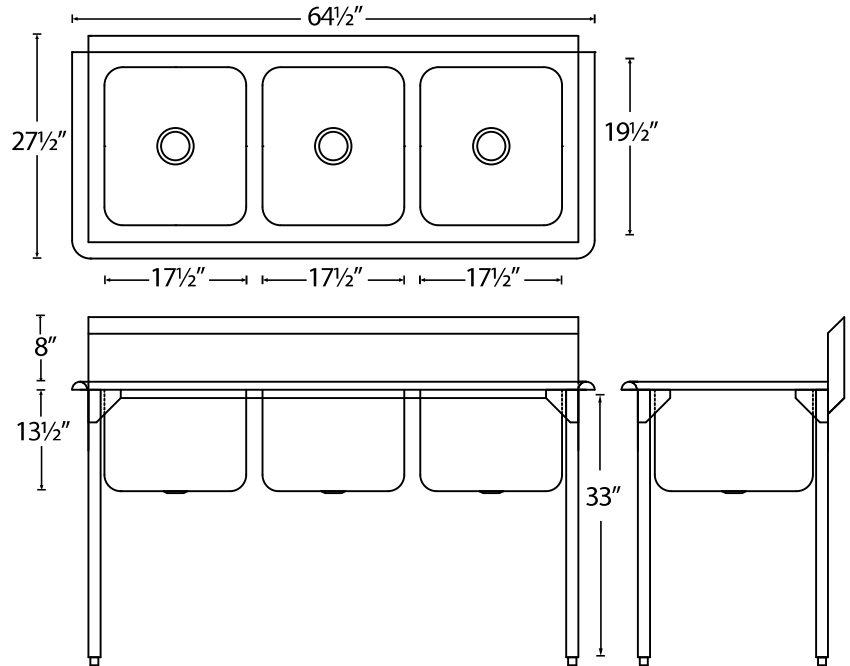
Project Number: _____
 Project Name: _____



Fixture #

Model 7006, Triple covered scullery, 300
 Series stainless steel, 16 gauge, radius covered bowl corners, exposed surfaces finished to a satin finish, 18-8 stainless steel, 3 1/2" or 1 1/2" waste assembly included. Adjustable bullet feet.

Outside dimension: 64 1/2" x 27 1/2"
 (164cm x 70cm)
 Bowl depth: 13 1/2" (34cm)



NOTES:

GAUGE	BACK-SPLASH HEIGHT		DRAIN BOARD	OVERALL DIMENSIONS				BOWL DIMENSIONS				BOWL DEPTH	
				Left to Right		Front to Back		Left to Right		Front to Back			
16	8"	20cm	NONE	64 1/2"	164cm	27 1/2"	70cm	17 1/2"	44cm	19 1/2"	50cm	13 1/2"	34cm

OPTIONS (check the option(s) you would like and indicate your choices above)

D (1 1/2" Strainer) **H** (Stand pipe overflow)

HOLE DRILLINGS

Hole Configuration:	#s to Enter Above	Check here for hole selection
1 hole	<input type="text" value="1"/> <input type="text" value="0"/>	<input type="checkbox"/>
2 hole, 4" (10cm) centre	<input type="text" value="2"/> <input type="text" value="4"/>	<input type="checkbox"/>
3 hole, 4" (10cm) centre	<input type="text" value="3"/> <input type="text" value="4"/>	<input type="checkbox"/>
2 hole, 8" (20cm) centre	<input type="text" value="2"/> <input type="text" value="8"/>	<input type="checkbox"/>
3 hole, 8" (20cm) centre	<input type="text" value="3"/> <input type="text" value="8"/>	<input type="checkbox"/>
Special Holes*	<input type="text" value="S"/> <input type="text" value="H"/>	<input type="checkbox"/>

*Drawings must be included

Engineer's Approval

Novanni has a policy of continuous improvement. All product specifications may change without notice.

82 1/2" x 27 1/2"

Project Number: _____
 Project Name: _____

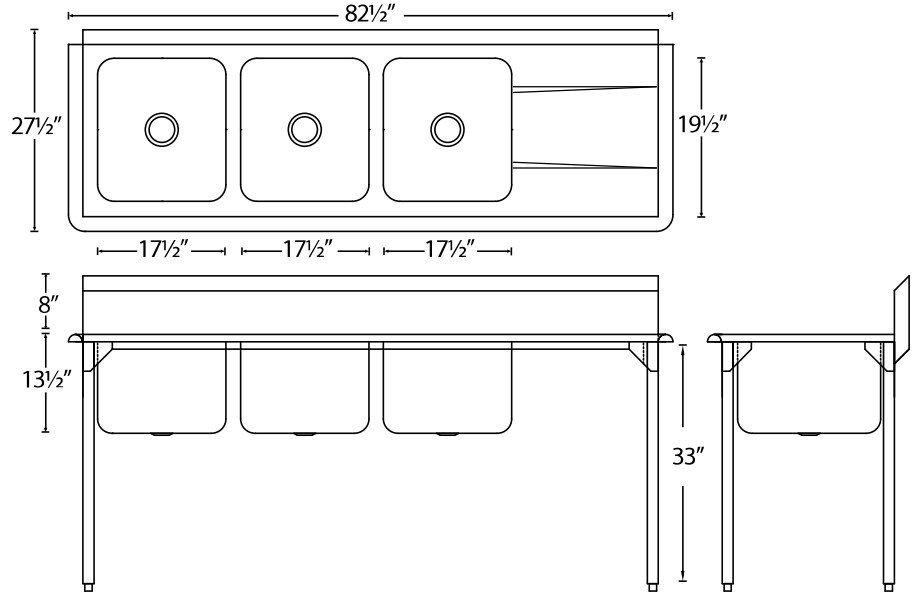


Fixture #

Model 7007, **Triple covered scullery with single integral drainboard**, 300 Series stainless steel, 16 gauge, radius coved bowl corners, exposed surfaces finished to a satin finish, 18-8 stainless steel, 3 1/2" or 1 1/2" waste assembly included. Adjustable bullet feet.

Outside dimension: 82 1/2" x 27 1/2"
 (210cm x 70cm)
 Bowl depth: 13 1/2" (34cm)

NOTES:



GAUGE	BACK-SPLASH HEIGHT		DRAIN BOARD	OVERALL DIMENSIONS				BOWL DIMENSIONS				BOWL DEPTH	
				Left to Right		Front to Back		Left to Right		Front to Back			
16	8"	20cm	SINGLE-RIGHT	82 1/2"	210cm	27 1/2"	70cm	17 1/2"	44cm	19 1/2"	50cm	13 1/2"	34cm

OPTIONS (check the option(s) you would like and indicate your choices above)

D (1 1/2" Strainer) **H** (Stand pipe overflow)

HOLE DRILLINGS

Hole Configuration:	#s to Enter Above	Check here for hole selection
1 hole	<input type="text" value="1"/> <input type="text" value="0"/>	<input type="checkbox"/>
2 hole, 4" (10cm) centre	<input type="text" value="2"/> <input type="text" value="4"/>	<input type="checkbox"/>
3 hole, 4" (10cm) centre	<input type="text" value="3"/> <input type="text" value="4"/>	<input type="checkbox"/>
2 hole, 8" (20cm) centre	<input type="text" value="2"/> <input type="text" value="8"/>	<input type="checkbox"/>
3 hole, 8" (20cm) centre	<input type="text" value="3"/> <input type="text" value="8"/>	<input type="checkbox"/>
Special Holes*	<input type="text" value="S"/> <input type="text" value="H"/>	<input type="checkbox"/>

*Drawings must be included

Engineer's Approval

Novanni has a policy of continuous improvement. All product specifications may change without notice.

100 1/2" x 27 1/2"

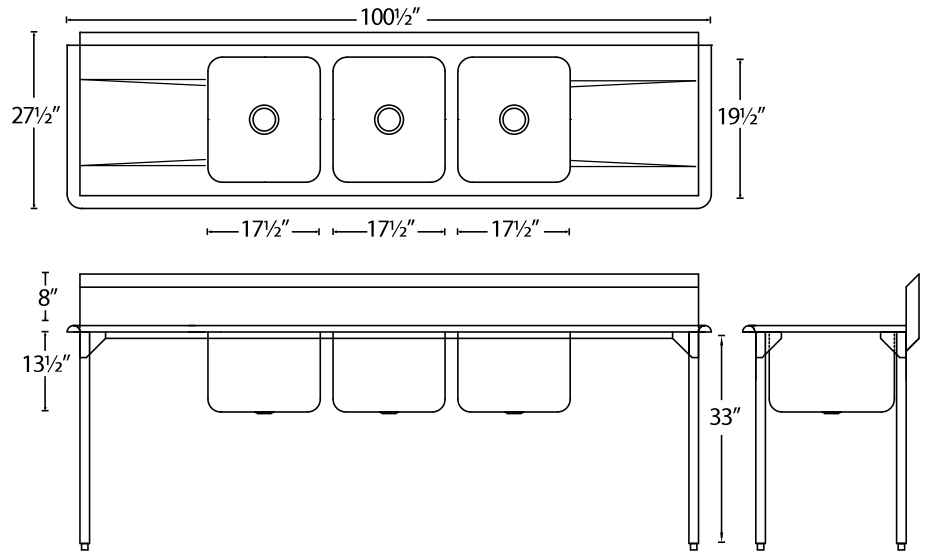
Project Number: _____
 Project Name: _____



Fixture #

Model 7008, **Triple covered scullery with double integral drainboard**, 300 Series stainless steel, 16 gauge, radius covered bowl corners, exposed surfaces finished to a satin finish, 18-8 stainless steel, 3 1/2" or 1 1/2" waste assembly included. Adjustable bullet feet.

Outside dimension: 100 1/2" x 27 1/2"
 (255cm x 70cm)
 Bowl depth: 13 1/2" (34cm)



NOTES:

GAUGE	BACK-SPLASH HEIGHT	DRAIN BOARD	OVERALL DIMENSIONS				BOWL DIMENSIONS				BOWL DEPTH	
			Left to Right		Front to Back		Left to Right		Front to Back			
16	8" / 20cm	DOUBLE	100 1/2"	255cm	27 1/2"	70cm	17 1/2"	44cm	19 1/2"	50cm	13 1/2"	34cm

OPTIONS (check the option(s) you would like and indicate your choices above)

D (1 1/2" Strainer) **H** (Stand pipe overflow)

HOLE DRILLINGS

Hole Configuration:	#s to Enter Above	Check here for hole selection
1 hole	<input type="text" value="1"/> <input type="text" value="0"/>	<input type="checkbox"/>
2 hole, 4" (10cm) centre	<input type="text" value="2"/> <input type="text" value="4"/>	<input type="checkbox"/>
3 hole, 4" (10cm) centre	<input type="text" value="3"/> <input type="text" value="4"/>	<input type="checkbox"/>
2 hole, 8" (20cm) centre	<input type="text" value="2"/> <input type="text" value="8"/>	<input type="checkbox"/>
3 hole, 8" (20cm) centre	<input type="text" value="3"/> <input type="text" value="8"/>	<input type="checkbox"/>
Special Holes*	<input type="text" value="S"/> <input type="text" value="H"/>	<input type="checkbox"/>

*Drawings must be included

Engineer's Approval

Novanni has a policy of continuous improvement. All product specifications may change without notice.