

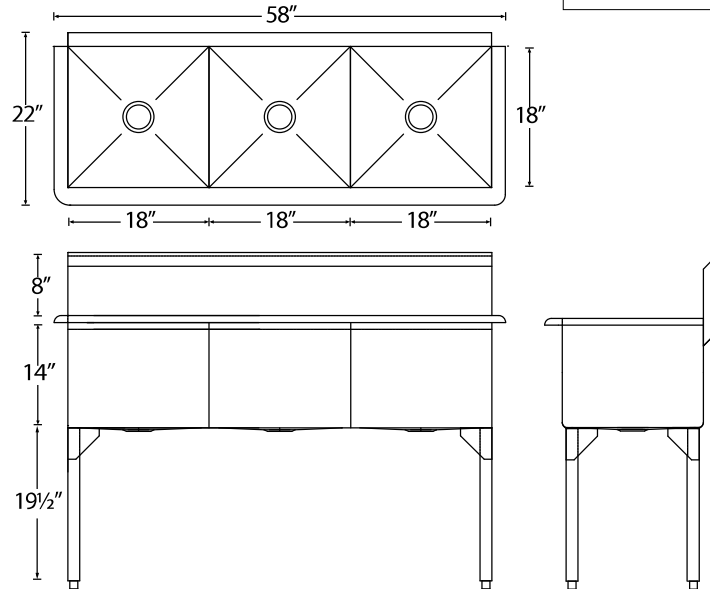
Project Number: \_\_\_\_\_  
 Project Name: \_\_\_\_\_

**58" x 22"**

Fixture #

Model 7511, **Triple scullery**, 300 or 316 Series stainless steel, 16 gauge, covered front to back, exposed surfaces finished to a satin finish, 18-8 stainless steel, 3 1/2" or 1 1/2" waste assembly included. Adjustable bullet feet.

Outside dimension: 58" x 22" (147cm x 56cm)  
 Bowl depth: 14" (36cm)



NOTES:

---

---

---

---

---

GAUGE	BACK-SPLASH HEIGHT		DRAIN BOARD	OVERALL DIMENSIONS				BOWL DIMENSIONS				BOWL DEPTH	
				Left to Right		Front to Back		Left to Right		Front to Back			
16	8"	20cm	NONE	58"	147cm	22"	56cm	18"	46cm	18"	46cm	14"	36cm

**OPTIONS** (check the option(s) you would like and indicate your choices above)

- |   |  |  |
|---|--|--|
| <input type="checkbox"/> <b>A</b> (18 Gauge)        | <input type="checkbox"/> <b>F</b> (Left Waste)                   | <input type="checkbox"/> <b>J</b> (10" Depth)                  |
| <input type="checkbox"/> <b>B</b> (Mirror Ledge)    | <input type="checkbox"/> <b>G</b> (Right Waste)                  | <input type="checkbox"/> <b>K</b> (12" Depth)                  |
| <input type="checkbox"/> <b>D</b> (1 1/2" Strainer) | <input type="checkbox"/> <b>H</b> (Stand pipe overflow w/ guard) | <input type="checkbox"/> <b>OV</b> (Overflow Assembly)         |
| <input type="checkbox"/> <b>E</b> (Centre Waste)    | <input type="checkbox"/> <b>I</b> (8" Depth)                     | <input type="checkbox"/> <b>VP</b> (Vandal Resistant Strainer) |
|   |  | <input type="checkbox"/> <b>X</b> (Coved Corners)              |

**HOLE DRILLINGS**

Hole Configuration:	#s to Enter Above	Check here for hole selection
1 hole	<input type="text" value="1"/> <input type="text" value="0"/>	<input type="checkbox"/>
2 hole, 4" (10cm) centre	<input type="text" value="2"/> <input type="text" value="4"/>	<input type="checkbox"/>
3 hole, 4" (10cm) centre	<input type="text" value="3"/> <input type="text" value="4"/>	<input type="checkbox"/>
2 hole, 8" (20cm) centre	<input type="text" value="2"/> <input type="text" value="8"/>	<input type="checkbox"/>
3 hole, 8" (20cm) centre	<input type="text" value="3"/> <input type="text" value="8"/>	<input type="checkbox"/>
Special Holes*	<input type="text" value="S"/> <input type="text" value="H"/>	<input type="checkbox"/>

\*Drawings must be included

Engineer's Approval

Novanni has a policy of continuous improvement. All product specifications may change without notice.

Project Number: \_\_\_\_\_  
 Project Name: \_\_\_\_\_

**58" x 25"**

Fixture #

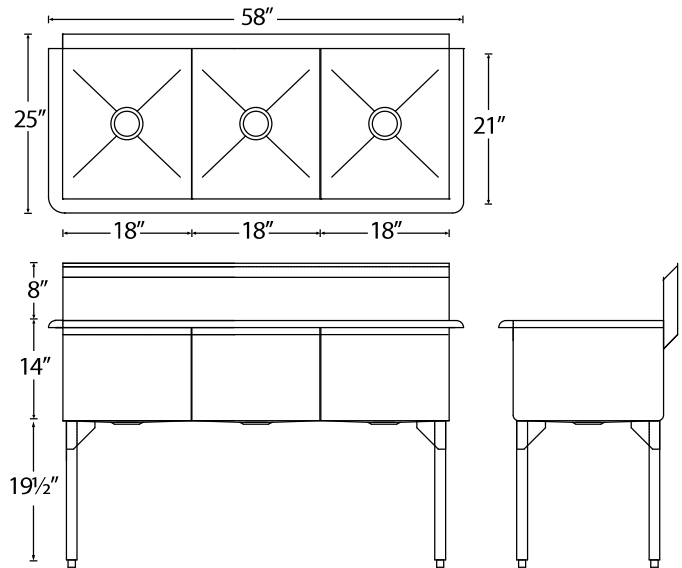


Model 7512, **Triple scullery**, 300 or 316 Series stainless steel, 16 gauge, covered front to back, exposed surfaces finished to a satin finish, 18-8 stainless steel, 3 1/2" or 1 1/2" waste assembly included. Adjustable bullet feet.

Outside dimension: 58" x 25" (147cm x 64cm)  
 Bowl depth: 14" (36cm)

NOTES:

\_\_\_\_\_  
 \_\_\_\_\_  
 \_\_\_\_\_  
 \_\_\_\_\_



GAUGE	BACK-SPLASH HEIGHT		DRAIN BOARD	OVERALL DIMENSIONS				BOWL DIMENSIONS				BOWL DEPTH	
				Left to Right		Front to Back		Left to Right		Front to Back			
16	8"	20cm	NONE	58"	147cm	25"	64cm	18"	46cm	21"	53cm	14"	36cm

**OPTIONS** (check the option(s) you would like and indicate your choices above)

- |   |  |  |
|---|--|--|
| <input type="checkbox"/> <b>A</b> (18 Gauge)        | <input type="checkbox"/> <b>F</b> (Left Waste)                   | <input type="checkbox"/> <b>J</b> (10" Depth)                  |
| <input type="checkbox"/> <b>B</b> (Mirror Ledge)    | <input type="checkbox"/> <b>G</b> (Right Waste)                  | <input type="checkbox"/> <b>K</b> (12" Depth)                  |
| <input type="checkbox"/> <b>D</b> (1 1/2" Strainer) | <input type="checkbox"/> <b>H</b> (Stand pipe overflow w/ guard) | <input type="checkbox"/> <b>OV</b> (Overflow Assembly)         |
| <input type="checkbox"/> <b>E</b> (Centre Waste)    | <input type="checkbox"/> <b>I</b> (8" Depth)                     | <input type="checkbox"/> <b>VP</b> (Vandal Resistant Strainer) |
|   |  | <input type="checkbox"/> <b>X</b> (Coved Corners)              |

**HOLE DRILLINGS**

Hole Configuration:	#s to Enter Above	Check here for hole selection
1 hole	<input type="text" value="1"/> <input type="text" value="0"/>	<input type="checkbox"/>
2 hole, 4" (10cm) centre	<input type="text" value="2"/> <input type="text" value="4"/>	<input type="checkbox"/>
3 hole, 4" (10cm) centre	<input type="text" value="3"/> <input type="text" value="4"/>	<input type="checkbox"/>
2 hole, 8" (20cm) centre	<input type="text" value="2"/> <input type="text" value="8"/>	<input type="checkbox"/>
3 hole, 8" (20cm) centre	<input type="text" value="3"/> <input type="text" value="8"/>	<input type="checkbox"/>
Special Holes*	<input type="text" value="S"/> <input type="text" value="H"/>	<input type="checkbox"/>

\*Drawings must be included

Engineer's Approval

Novanni has a policy of continuous improvement. All product specifications may change without notice.

Project Number: \_\_\_\_\_  
 Project Name: \_\_\_\_\_

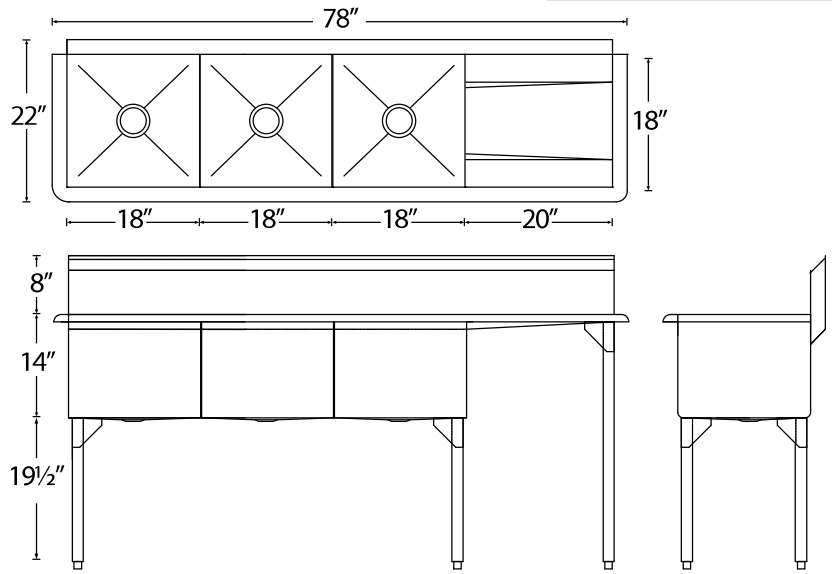
**78" x 22"**

Fixture #



Model 7513, **Triple scullery with single integral drainboard**, 300 or 316 Series stainless steel, 16 gauge, covered front to back, exposed surfaces finished to a satin finish, 18-8 stainless steel, 3 1/2" or 1 1/2" waste assembly included. Adjustable bullet feet.

Outside dimension: 78" x 22" (198cm x 56cm)  
 Bowl depth: 14" (36cm)



NOTES:

\_\_\_\_\_  
 \_\_\_\_\_  
 \_\_\_\_\_  
 \_\_\_\_\_

GAUGE	BACK-SPLASH HEIGHT		DRAIN BOARD	OVERALL DIMENSIONS				BOWL DIMENSIONS				BOWL DEPTH	
				Left to Right		Front to Back		Left to Right		Front to Back			
16	8"	20cm	SINGLE	78"	198cm	22"	56cm	18"	46cm	18"	46cm	14"	36cm

**OPTIONS** (check the option(s) you would like and indicate your choices above)

- A** (18 Gauge)
- F** (Left Waste)
- J** (10" Depth)
- B** (Mirror Ledge)
- G** (Right Waste)
- K** (12" Depth)
- D** (1 1/2" Strainer)
- H** (Stand pipe overflow w/ guard)
- OV** (Overflow Assembly)
- E** (Centre Waste)
- I** (8" Depth)
- VP** (Vandal Resistant Strainer)
- X** (Coved Corners)

**HOLE DRILLINGS**

Hole Configuration:	#s to Enter Above	Check here for hole selection
1 hole	<input type="text" value="1"/> <input type="text" value="0"/>	<input type="checkbox"/>
2 hole, 4" (10cm) centre	<input type="text" value="2"/> <input type="text" value="4"/>	<input type="checkbox"/>
3 hole, 4" (10cm) centre	<input type="text" value="3"/> <input type="text" value="4"/>	<input type="checkbox"/>
2 hole, 8" (20cm) centre	<input type="text" value="2"/> <input type="text" value="8"/>	<input type="checkbox"/>
3 hole, 8" (20cm) centre	<input type="text" value="3"/> <input type="text" value="8"/>	<input type="checkbox"/>
Special Holes*	<input type="text" value="S"/> <input type="text" value="H"/>	<input type="checkbox"/>

\*Drawings must be included

Engineer's Approval

Novanni has a policy of continuous improvement. All product specifications may change without notice.

Project Number: \_\_\_\_\_  
 Project Name: \_\_\_\_\_

**78" x 25"**

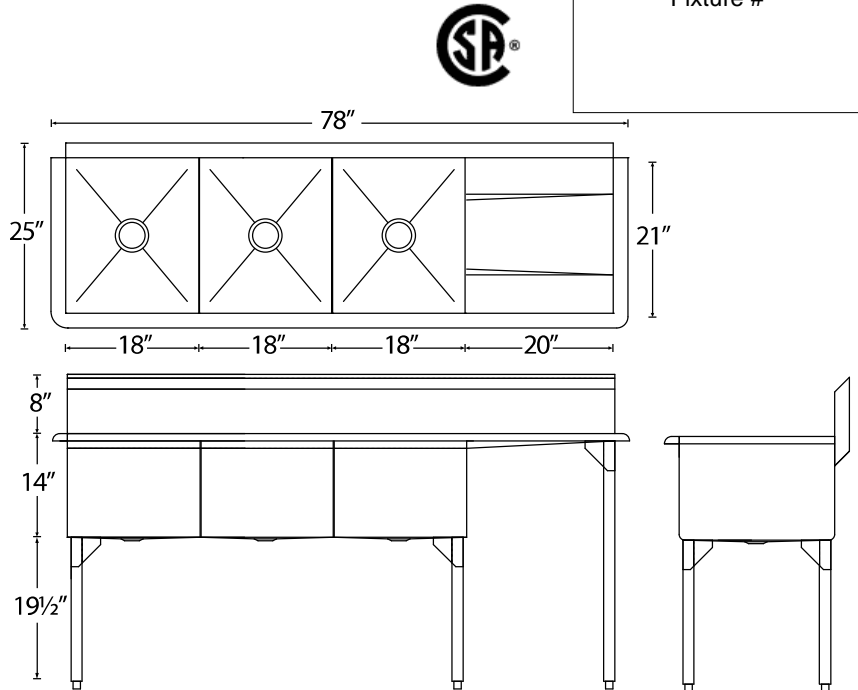
Fixture #

Model 7514, **Triple scullery with single integral drainboard**, 300 or 316 Series stainless steel, 16 gauge, covered front to back, exposed surfaces finished to a satin finish, 18-8 stainless steel, 3 1/2" or 1 1/2" waste assembly included. Adjustable bullet feet.

Outside dimension: 78" x 25"  
 (198cm x 64cm)  
 Bowl depth: 14" (36cm)

NOTES:

\_\_\_\_\_  
 \_\_\_\_\_  
 \_\_\_\_\_  
 \_\_\_\_\_



GAUGE	BACK-SPLASH HEIGHT		DRAIN BOARD	OVERALL DIMENSIONS				BOWL DIMENSIONS				BOWL DEPTH	
				Left to Right		Front to Back		Left to Right		Front to Back			
16	8"	20cm	SINGLE	78"	198cm	25"	64cm	18"	46cm	21"	53cm	14"	36cm

**OPTIONS** (check the option(s) you would like and indicate your choices above)

- A** (18 Gauge)
- F** (Left Waste)
- J** (10" Depth)
- B** (Mirror Ledge)
- G** (Right Waste)
- K** (12" Depth)
- D** (1 1/2" Strainer)
- H** (Stand pipe overflow w/ guard)
- OV** (Overflow Assembly)
- E** (Centre Waste)
- I** (8" Depth)
- VP** (Vandal Resistant Strainer)
- X** (Coved Corners)

**HOLE DRILLINGS**

Hole Configuration:	#s to Enter Above	Check here for hole selection
1 hole	<input type="text" value="1"/> <input type="text" value="0"/>	<input type="checkbox"/>
2 hole, 4" (10cm) centre	<input type="text" value="2"/> <input type="text" value="4"/>	<input type="checkbox"/>
3 hole, 4" (10cm) centre	<input type="text" value="3"/> <input type="text" value="4"/>	<input type="checkbox"/>
2 hole, 8" (20cm) centre	<input type="text" value="2"/> <input type="text" value="8"/>	<input type="checkbox"/>
3 hole, 8" (20cm) centre	<input type="text" value="3"/> <input type="text" value="8"/>	<input type="checkbox"/>
Special Holes*	<input type="text" value="S"/> <input type="text" value="H"/>	<input type="checkbox"/>

\*Drawings must be included

Engineer's Approval

\_\_\_\_\_  
 \_\_\_\_\_

Novanni has a policy of continuous improvement. All product specifications may change without notice.

Project Number: \_\_\_\_\_  
 Project Name: \_\_\_\_\_

**98" x 22"**

Fixture #

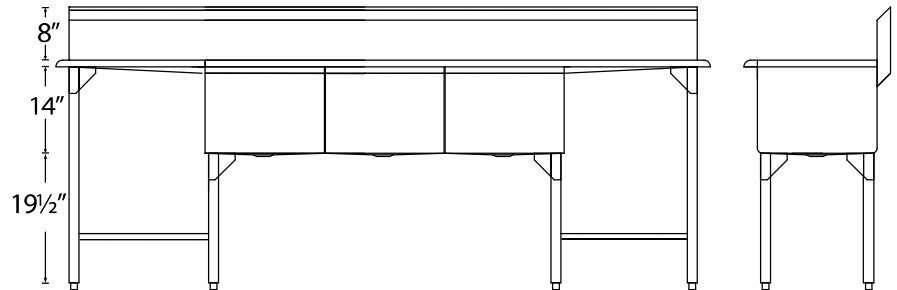
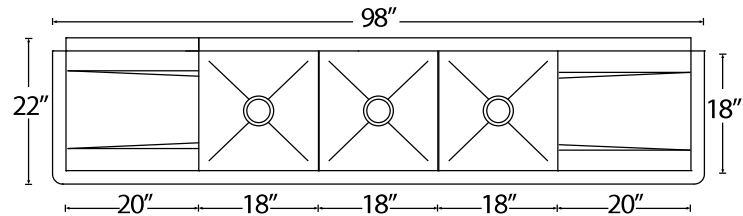


Model 7515, **Triple scullery with double integral drainboards**, 300 or 316 Series stainless steel, 16 gauge, covered front to back, exposed surfaces finished to a satin finish, 18-8 stainless steel, 3 1/2" or 1 1/2" waste assembly included. Adjustable bullet feet.

Outside dimension: 98" x 22" (249cm x 56cm)

NOTES:

\_\_\_\_\_  
 \_\_\_\_\_  
 \_\_\_\_\_  
 \_\_\_\_\_



GAUGE	BACK-SPLASH HEIGHT		DRAIN BOARD	OVERALL DIMENSIONS				BOWL DIMENSIONS				BOWL DEPTH	
				Left to Right		Front to Back		Left to Right		Front to Back			
16	8"	20cm	DOUBLE	98"	249cm	22"	56cm	18"	46cm	18"	46cm	14"	36cm

**OPTIONS** (check the option(s) you would like and indicate your choices above)

- A** (18 Gauge)
- F** (Left Waste)
- J** (10" Depth)
- B** (Mirror Ledge)
- G** (Right Waste)
- K** (12" Depth)
- D** (1 1/2" Strainer)
- H** (Stand pipe overflow w/ guard)
- OV** (Overflow Assembly)
- E** (Centre Waste)
- I** (8" Depth)
- VP** (Vandal Resistant Strainer)
- X** (Coved Corners)

**HOLE DRILLINGS**

Hole Configuration:	#s to Enter Above	Check here for hole selection
1 hole	<input type="text" value="1"/> <input type="text" value="0"/>	<input type="checkbox"/>
2 hole, 4" (10cm) centre	<input type="text" value="2"/> <input type="text" value="4"/>	<input type="checkbox"/>
3 hole, 4" (10cm) centre	<input type="text" value="3"/> <input type="text" value="4"/>	<input type="checkbox"/>
2 hole, 8" (20cm) centre	<input type="text" value="2"/> <input type="text" value="8"/>	<input type="checkbox"/>
3 hole, 8" (20cm) centre	<input type="text" value="3"/> <input type="text" value="8"/>	<input type="checkbox"/>
Special Holes*	<input type="text" value="S"/> <input type="text" value="H"/>	<input type="checkbox"/>

\*Drawings must be included

Engineer's Approval

\_\_\_\_\_  
 \_\_\_\_\_

Novanni has a policy of continuous improvement. All product specifications may change without notice.

Project Number: \_\_\_\_\_  
 Project Name: \_\_\_\_\_

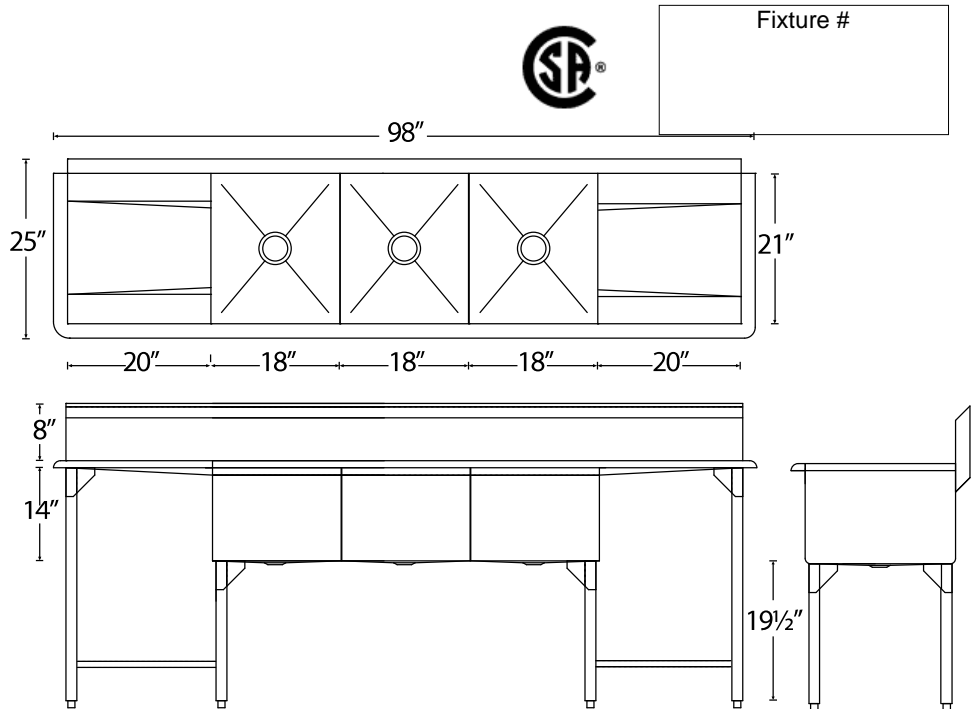
**98" x 25"**

Model 7516, Triple scullery with double integral drainboards, 300 or 316 Series stainless steel, 16 gauge, coved front to back, exposed surfaces finished to a satin finish, 18-8 stainless steel, 3 1/2" or 1 1/2" waste assembly included. Adjustable bullet feet.

Outside dimension: 98" x 25"  
 (249cm x 64cm)  
 Bowl depth: 14" (36cm)

NOTES:

\_\_\_\_\_  
 \_\_\_\_\_  
 \_\_\_\_\_  
 \_\_\_\_\_



GAUGE	BACK-SPLASH HEIGHT		DRAIN BOARD	OVERALL DIMENSIONS				BOWL DIMENSIONS				BOWL DEPTH	
				Left to Right		Front to Back		Left to Right		Front to Back			
16	8"	20cm	DOUBLE	98"	249cm	25"	64cm	18"	46cm	21"	53cm	14"	36cm

**OPTIONS** (check the option(s) you would like and indicate your choices above)

- A** (18 Gauge)
- B** (Mirror Ledge)
- D** (1 1/2" Strainer)
- E** (Centre Waste)
- F** (Left Waste)
- G** (Right Waste)
- H** (Stand pipe overflow w/ guard)
- I** (8" Depth)
- J** (10" Depth)
- K** (12" Depth)
- OV** (Overflow Assembly)
- VP** (Vandal Resistant Strainer)
- X** (Coved Corners)

**HOLE DRILLINGS**

Hole Configuration:	#s to Enter Above	Check here for hole selection
1 hole	<input type="text" value="1"/> <input type="text" value="0"/>	<input type="checkbox"/>
2 hole, 4" (10cm) centre	<input type="text" value="2"/> <input type="text" value="4"/>	<input type="checkbox"/>
3 hole, 4" (10cm) centre	<input type="text" value="3"/> <input type="text" value="4"/>	<input type="checkbox"/>
2 hole, 8" (20cm) centre	<input type="text" value="2"/> <input type="text" value="8"/>	<input type="checkbox"/>
3 hole, 8" (20cm) centre	<input type="text" value="3"/> <input type="text" value="8"/>	<input type="checkbox"/>
Special Holes*	<input type="text" value="S"/> <input type="text" value="H"/>	<input type="checkbox"/>

\*Drawings must be included

Engineer's Approval

\_\_\_\_\_  
 \_\_\_\_\_

Novanni has a policy of continuous improvement. All product specifications may change without notice.