

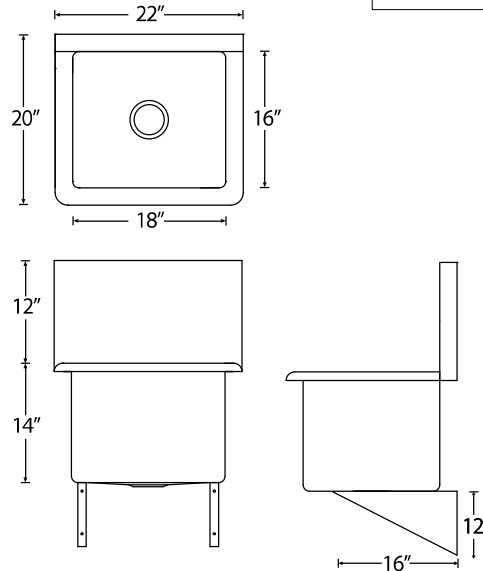
Project Number: \_\_\_\_\_  
 Project Name: \_\_\_\_\_

22" x 20"

Fixture #

Model 9100, **Single wallmount**, 300 or 316 Series  
 Stainless steel, 14 gauge, exposed surfaces finished to a satin finish, 18-8 stainless steel, 3 1/2" or 1 1/2" waste assembly included, radius bowl corners.

Outside dimension: 22" x 20" (56cm x 51cm)  
 Bowl depth: 14" (36cm)



NOTES:

\_\_\_\_\_  
 \_\_\_\_\_  
 \_\_\_\_\_  
 \_\_\_\_\_

GAUGE	BACKSPASH HEIGHT		OVERALL DIMENSIONS				BOWL DIMENSIONS				BOWL DEPTH	
			Left to Right		Front to Back		Left to Right		Front to Back			
14	12"	30cm	22"	56cm	20"	51cm	18"	46cm	16"	41cm	14"	36cm

**OPTIONS** (check the option(s) you would like and indicate your choices above)

- A** (18 Gauge)
- F** (Left Waste)
- J** (10" Depth)
- B** (Mirror Ledge)
- G** (Right Waste)
- K** (12" Depth)
- D** (1 1/2" Strainer)
- H** (Stand pipe overflow)
- OV** (Overflow Assembly)
- E** (Centre Waste)
- I** (8" Depth)
- VP** (Vandal Resistant Strainer)
- X** (Coved Corners)

**HOLE DRILLINGS**

Hole Configuration:	#s to Enter Above	Check here for hole selection
1 hole	<input type="text" value="1"/> <input type="text" value="0"/>	<input type="checkbox"/>
2 hole, 4" (10cm) centre	<input type="text" value="2"/> <input type="text" value="4"/>	<input type="checkbox"/>
3 hole, 4" (10cm) centre	<input type="text" value="3"/> <input type="text" value="4"/>	<input type="checkbox"/>
2 hole, 8" (20cm) centre	<input type="text" value="2"/> <input type="text" value="8"/>	<input type="checkbox"/>
3 hole, 8" (20cm) centre	<input type="text" value="3"/> <input type="text" value="8"/>	<input type="checkbox"/>
Special Holes*	<input type="text" value="S"/> <input type="text" value="H"/>	<input type="checkbox"/>

\*Drawings must be included

Engineer's Approval

\_\_\_\_\_  
 \_\_\_\_\_

Novanni has a policy of continuous improvement.  
 All product specifications may change without notice.