

Project Number: _____
 Project Name: _____

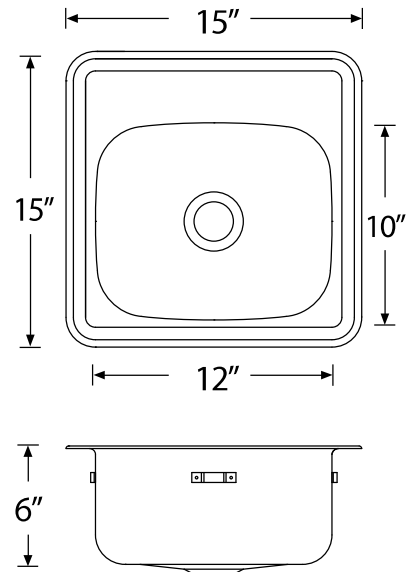
15" x 15"

Fixture #

Model 1001, **Single bowl with ledge**, 300 or 316 Series stainless steel, 20 gauge (18 gauge available as option A), Off the bowl clamp system, self rimming, SynkSeal™ foam in place gasket installed, exposed surfaces finished to a satin finish, 18-8 stainless steel, 3 1/2" or 1 1/2" stainless steel waste assembly included.

Outside dimension: 15" x 15" (38cm x 38cm)
 Bowl depth: 6" (15cm)

NOTES:



GAUGE	OVERALL DIMENSIONS		BOWL DIMENSIONS				BOWL DEPTH			
	Left to Right	Front to Back	Left to Right	Front to Back	Left to Right	Front to Back	Top	Bottom		
20	15"	38cm	15"	38cm	12"	30cm	10"	25cm	6"	15cm

OPTIONS (check the option(s) you would like and indicate your choices above)

- | | | |
|---|---|--|
| <input type="checkbox"/> A (18 Gauge) | <input type="checkbox"/> F (Left Rear Waste) | <input type="checkbox"/> J (10" Depth) |
| <input type="checkbox"/> B (Mirror Ledge) | <input type="checkbox"/> G (Right Rear Waste) | <input type="checkbox"/> K (12" Depth) |
| <input type="checkbox"/> STD D (1 1/2" Strainer) | <input type="checkbox"/> H (Stand pipe overflow) | <input type="checkbox"/> OV (Overflow Assembly) |
| <input type="checkbox"/> N/A E (Centre Rear Waste) | <input type="checkbox"/> N/A I (8" Depth) | <input type="checkbox"/> VP (Vandal Resistant Strainer) |

HOLE DRILLINGS

Hole Configuration:	#s to Enter Above	Check here for hole selection
1 hole	<input type="text" value="1"/> <input type="text" value="0"/>	<input type="checkbox"/>
2 hole, 4" (10cm) centre	<input type="text" value="2"/> <input type="text" value="4"/>	<input type="checkbox"/>
3 hole, 4" (10cm) centre	<input type="text" value="3"/> <input type="text" value="4"/>	<input type="checkbox"/>
2 hole, 8" (20cm) centre	<input type="text" value="2"/> <input type="text" value="8"/>	<input type="checkbox"/>
3 hole, 8" (20cm) centre	<input type="text" value="3"/> <input type="text" value="8"/>	<input type="checkbox"/>
Special Holes*	<input type="text" value="S"/> <input type="text" value="H"/>	<input type="checkbox"/>

*Drawings must be included

Engineer's Approval

Novanni has a policy of continuous improvement. All product specifications may change without notice.

Project Number: _____
 Project Name: _____

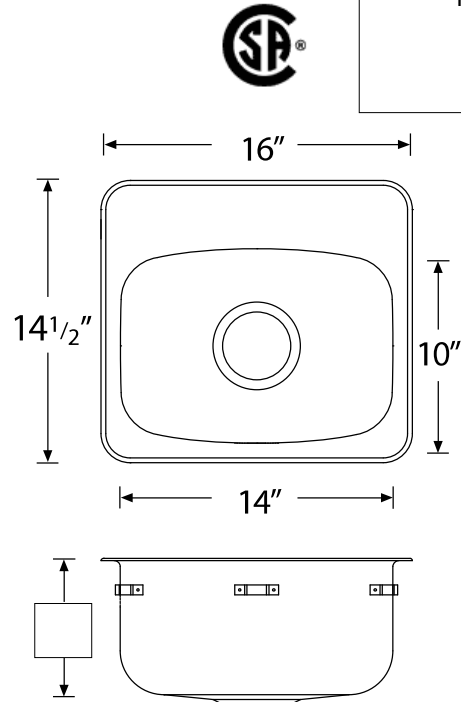
16" x 14 1/2"

Fixture #

Model 1005, **Single bowl with ledge**, 300 or 316 Series stainless steel, 20 gauge (18 gauge available as option A), Off the bowl clamp system, self rimming, SynkSeal™ foam in place gasket installed, exposed surfaces finished to a satin finish, 18-8 stainless steel, 3 1/2" or 1 1/2" stainless steel waste assembly included.

Outside dimension: 16" x 14 1/2" (41cm x 37cm)
 Standard bowl depth: 7" (18cm)

NOTES:



GAUGE	OVERALL DIMENSIONS		BOWL DIMENSIONS				BOWL DEPTH					
	Left to Right	Front to Back	Left to Right	Front to Back	Standard	Maximum						
20	16"	41cm	14 1/2"	37cm	14"	36cm	10"	25cm	7"	18cm	10"	25cm

OPTIONS (check the option(s) you would like and indicate your choices above)

- | | | |
|---|---|--|
| <input type="checkbox"/> A (18 Gauge) | <input type="checkbox"/> F (Left Rear Waste) | <input type="checkbox"/> J (10" Depth) |
| <input type="checkbox"/> B (Mirror Ledge) | <input type="checkbox"/> G (Right Rear Waste) | <input type="checkbox"/> K (12" Depth) |
| <input type="checkbox"/> D (1 1/2" Strainer) | <input type="checkbox"/> H (Stand pipe overflow) | <input type="checkbox"/> OV (Overflow Assembly) |
| <input type="checkbox"/> E (Centre Rear Waste) | <input type="checkbox"/> I (8" Depth) | <input type="checkbox"/> VP (Vandal Resistant Strainer) |

HOLE DRILLINGS

Hole Configuration:	#s to Enter Above	Check here for hole selection
1 hole	<input type="text" value="1"/> <input type="text" value="0"/>	<input type="checkbox"/>
2 hole, 4" (10cm) centre	<input type="text" value="2"/> <input type="text" value="4"/>	<input type="checkbox"/>
3 hole, 4" (10cm) centre	<input type="text" value="3"/> <input type="text" value="4"/>	<input type="checkbox"/>
2 hole, 8" (20cm) centre	<input type="text" value="2"/> <input type="text" value="8"/>	<input type="checkbox"/>
3 hole, 8" (20cm) centre	<input type="text" value="3"/> <input type="text" value="8"/>	<input type="checkbox"/>
Special Holes*	<input type="text" value="S"/> <input type="text" value="H"/>	<input type="checkbox"/>

*Drawings must be included

Engineer's Approval

Novanni has a policy of continuous improvement. All product specifications may change without notice.

Project Number: _____
 Project Name: _____

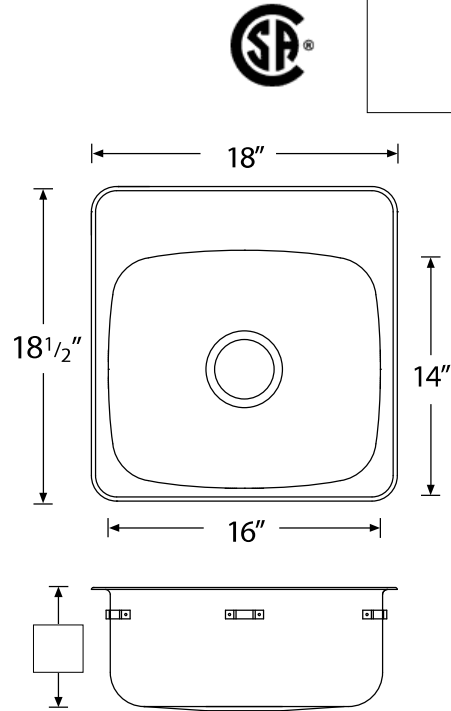
18" x 18 1/2"

Fixture #

Model 1009, **Single bowl with ledge**, 300 or 316 Series stainless steel, 20 gauge (18 gauge available as option A), Off the bowl clamp system, self rimming, SynkSeal™ foam in place gasket installed, exposed surfaces finished to a satin finish, 18-8 stainless steel, 3 1/2" or 1 1/2" stainless steel waste assembly included.

Outside dimension: 18" x 18 1/2" (46cm x 47cm)
 Standard bowl depth: 7" (18cm)

NOTES:



GAUGE	OVERALL DIMENSIONS		BOWL DIMENSIONS				BOWL DEPTH					
	Left to Right	Front to Back	Left to Right	Front to Back	Standard	Maximum						
20	18"	46cm	18 1/2"	47cm	16"	41cm	14"	36cm	7"	18cm	10"	25cm

OPTIONS (check the option(s) you would like and indicate your choices above)

- | | | |
|---|--|--|
| <input type="checkbox"/> A (18 Gauge) | <input type="checkbox"/> F (Left Rear Waste) | <input type="checkbox"/> J (10" Depth) |
| <input type="checkbox"/> B (Mirror Ledge) | <input type="checkbox"/> G (Right Rear Waste) | <input checked="" type="checkbox"/> N/A K (12" Depth) |
| <input type="checkbox"/> D (1 1/2" Strainer) | <input checked="" type="checkbox"/> N/A H (Stand pipe overflow) | <input type="checkbox"/> OV (Overflow Assembly) |
| <input type="checkbox"/> E (Centre Rear Waste) | <input type="checkbox"/> I (8" Depth) | <input type="checkbox"/> VP (Vandal Resistant Strainer) |

HOLE DRILLINGS

Hole Configuration:	#s to Enter Above	Check here for hole selection
1 hole	<input type="text" value="1"/> <input type="text" value="0"/>	<input type="checkbox"/>
2 hole, 4" (10cm) centre	<input type="text" value="2"/> <input type="text" value="4"/>	<input type="checkbox"/>
3 hole, 4" (10cm) centre	<input type="text" value="3"/> <input type="text" value="4"/>	<input type="checkbox"/>
2 hole, 8" (20cm) centre	<input type="text" value="2"/> <input type="text" value="8"/>	<input type="checkbox"/>
3 hole, 8" (20cm) centre	<input type="text" value="3"/> <input type="text" value="8"/>	<input type="checkbox"/>
Special Holes*	<input type="text" value="S"/> <input type="text" value="H"/>	<input type="checkbox"/>

*Drawings must be included

Engineer's Approval

Novanni has a policy of continuous improvement. All product specifications may change without notice.

Project Number: _____
 Project Name: _____

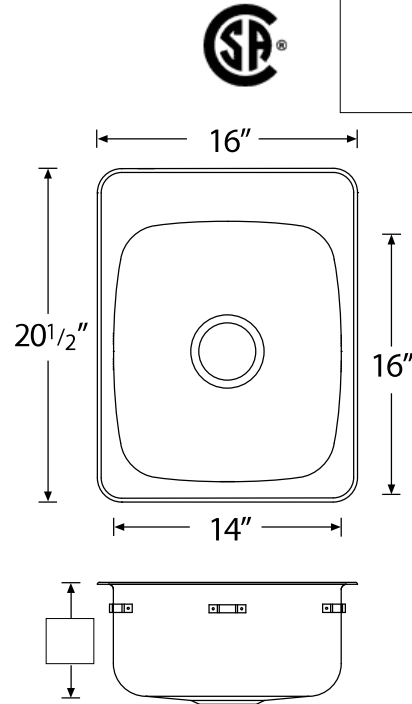
16" x 20 1/2"

Fixture #

Model 1013, **Single bowl with ledge**, 300 or 316 Series stainless steel, 20 gauge (18 gauge available as option A), Off the bowl clamp system, self rimming, SynkSeal™ foam in place gasket installed, exposed surfaces finished to a satin finish, 18-8 stainless steel, 3 1/2" or 1 1/2" stainless steel waste assembly included.

Outside dimension: 16" x 20 1/2" (41cm x 52cm)
 Standard bowl depth: 7" (18cm)

NOTES:



GAUGE	OVERALL DIMENSIONS		BOWL DIMENSIONS				BOWL DEPTH					
	Left to Right	Front to Back	Left to Right	Front to Back	Standard	Maximum						
20	16"	41cm	20 1/2"	52cm	14"	36cm	16"	41cm	7"	18cm	10"	25cm

OPTIONS (check the option(s) you would like and indicate your choices above)

- | | | |
|---|--|--|
| <input type="checkbox"/> A (18 Gauge) | <input type="checkbox"/> F (Left Rear Waste) | <input type="checkbox"/> J (10" Depth) |
| <input type="checkbox"/> B (Mirror Ledge) | <input type="checkbox"/> G (Right Rear Waste) | <input checked="" type="checkbox"/> N/A K (12" Depth) |
| <input type="checkbox"/> D (1 1/2" Strainer) | <input checked="" type="checkbox"/> N/A H (Stand pipe overflow) | <input type="checkbox"/> OV (Overflow Assembly) |
| <input type="checkbox"/> E (Centre Rear Waste) | <input type="checkbox"/> I (8" Depth) | <input type="checkbox"/> VP (Vandal Resistant Strainer) |

HOLE DRILLINGS

Hole Configuration:	#s to Enter Above	Check here for hole selection
1 hole	<input type="text" value="1"/> <input type="text" value="0"/>	<input type="checkbox"/>
2 hole, 4" (10cm) centre	<input type="text" value="2"/> <input type="text" value="4"/>	<input type="checkbox"/>
3 hole, 4" (10cm) centre	<input type="text" value="3"/> <input type="text" value="4"/>	<input type="checkbox"/>
2 hole, 8" (20cm) centre	<input type="text" value="2"/> <input type="text" value="8"/>	<input type="checkbox"/>
3 hole, 8" (20cm) centre	<input type="text" value="3"/> <input type="text" value="8"/>	<input type="checkbox"/>
Special Holes*	<input type="text" value="S"/> <input type="text" value="H"/>	<input type="checkbox"/>

*Drawings must be included

Engineer's Approval

Novanni has a policy of continuous improvement. All product specifications may change without notice.

Project Number: _____
 Project Name: _____

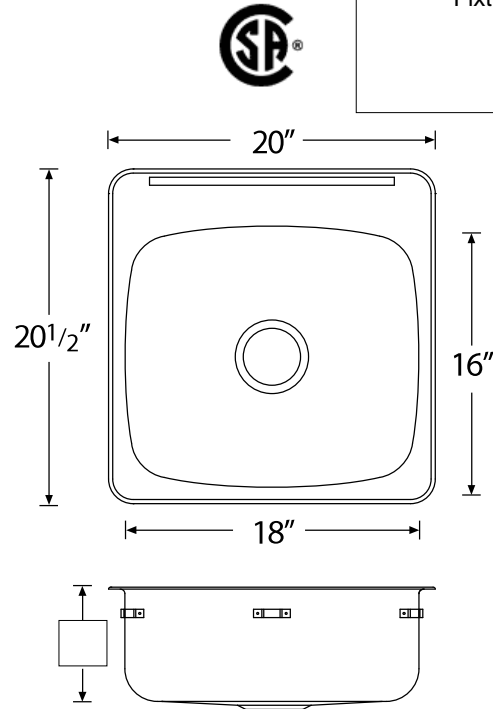
20" x 20 1/2"

Fixture #

Model 1017, **Single bowl with ledge**, 300 or 316 Series stainless steel, 20 gauge (18 gauge available as option A), Off the bowl clamp system, self rimming, SynkSeal™ foam in place gasket installed, exposed surfaces finished to a satin finish, 18-8 stainless steel, 3 1/2" or 1 1/2" stainless steel waste assembly included.

Outside dimension: 20" x 20 1/2" (51cm x 52cm)
 Standard bowl depth: 7" (18cm)

NOTES:



GAUGE	OVERALL DIMENSIONS				BOWL DIMENSIONS				BOWL DEPTH			
	Left to Right		Front to Back		Left to Right		Front to Back		Standard		Maximum	
20	20"	51cm	20 1/2"	52cm	18"	46cm	16"	41cm	7"	18cm	10"	25cm

OPTIONS (check the option(s) you would like and indicate your choices above)

- | | | |
|---|--|--|
| <input type="checkbox"/> A (18 Gauge) | <input type="checkbox"/> F (Left Rear Waste) | <input type="checkbox"/> J (10" Depth) |
| <input type="checkbox"/> B (Mirror Ledge) | <input type="checkbox"/> G (Right Rear Waste) | <input checked="" type="checkbox"/> N/A K (12" Depth) |
| <input type="checkbox"/> D (1 1/2" Strainer) | <input checked="" type="checkbox"/> N/A H (Stand pipe overflow) | <input type="checkbox"/> OV (Overflow Assembly) |
| <input type="checkbox"/> E (Centre Rear Waste) | <input type="checkbox"/> I (8" Depth) | <input type="checkbox"/> VP (Vandal Resistant Strainer) |

HOLE DRILLINGS

Hole Configuration:	#s to Enter Above	Check here for hole selection
1 hole	<input type="text" value="1"/> <input type="text" value="0"/>	<input type="checkbox"/>
2 hole, 4" (10cm) centre	<input type="text" value="2"/> <input type="text" value="4"/>	<input type="checkbox"/>
3 hole, 4" (10cm) centre	<input type="text" value="3"/> <input type="text" value="4"/>	<input type="checkbox"/>
2 hole, 8" (20cm) centre	<input type="text" value="2"/> <input type="text" value="8"/>	<input type="checkbox"/>
3 hole, 8" (20cm) centre	<input type="text" value="3"/> <input type="text" value="8"/>	<input type="checkbox"/>
Special Holes*	<input type="text" value="S"/> <input type="text" value="H"/>	<input type="checkbox"/>

*Drawings must be included

Engineer's Approval

Novanni has a policy of continuous improvement. All product specifications may change without notice.

Project Number: _____
 Project Name: _____

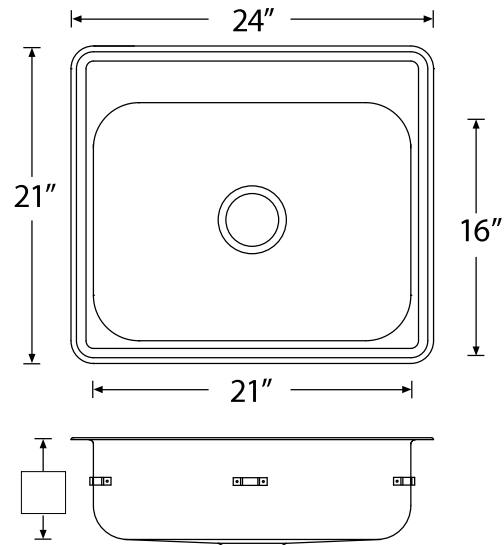
24" x 21"

Fixture #



Model 1019, **Single bowl with ledge**, 300 or 316 Series stainless steel, 18 gauge, Off the bowl clamp system, self rimming, SynkSeal™ foam in place gasket installed, exposed surfaces finished to a satin finish, 18-8 stainless steel, 3 1/2" or 1 1/2" stainless steel waste assembly included.

Outside dimension: 24" x 21" (61cm x 53cm)
 Standard bowl depth: 7" (18cm)



NOTES:

GAUGE	OVERALL DIMENSIONS				BOWL DIMENSIONS				BOWL DEPTH			
	Left to Right		Front to Back		Left to Right		Front to Back		Standard		Maximum	
18	24"	61cm	21"	53cm	21"	53cm	16"	41cm	7"	18cm	12"	30cm

OPTIONS (check the option(s) you would like and indicate your choices above)

- | | | |
|---|---|--|
| <input type="checkbox"/> STD A (18 Gauge) | <input type="checkbox"/> F (Left Rear Waste) | <input type="checkbox"/> J (10" Depth) |
| <input type="checkbox"/> N/A B (Mirror Ledge) | <input type="checkbox"/> G (Right Rear Waste) | <input type="checkbox"/> K (12" Depth) |
| <input type="checkbox"/> D (1 1/2" Strainer) | <input type="checkbox"/> N/A H (Stand pipe overflow) | <input type="checkbox"/> OV (Overflow Assembly) |
| <input type="checkbox"/> E (Centre Rear Waste) | <input type="checkbox"/> I (8" Depth) | <input type="checkbox"/> VP (Vandal Resistant Strainer) |

HOLE DRILLINGS

Hole Configuration:	#s to Enter Above	Check here for hole selection
1 hole	<input type="text" value="1"/> <input type="text" value="0"/>	<input type="checkbox"/>
2 hole, 4" (10cm) centre	<input type="text" value="2"/> <input type="text" value="4"/>	<input type="checkbox"/>
3 hole, 4" (10cm) centre	<input type="text" value="3"/> <input type="text" value="4"/>	<input type="checkbox"/>
2 hole, 8" (20cm) centre	<input type="text" value="2"/> <input type="text" value="8"/>	<input type="checkbox"/>
3 hole, 8" (20cm) centre	<input type="text" value="3"/> <input type="text" value="8"/>	<input type="checkbox"/>
Special Holes*	<input type="text" value="S"/> <input type="text" value="H"/>	<input type="checkbox"/>

*Drawings must be included

Engineer's Approval

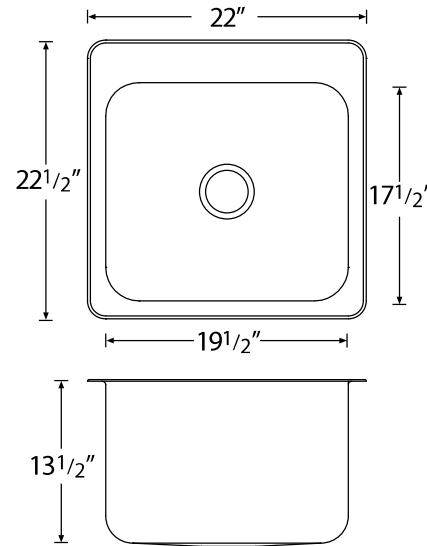
Novanni has a policy of continuous improvement. All product specifications may change without notice.

Project Number: _____
 Project Name: _____

22" x 22 1/2"
 Fixture #

Model 1021, **Single bowl with ledge**, 300 or 316 Series stainless steel, 16 gauge, "U" channel clamp system, self rimming, exposed surfaces finished to a satin finish, 18-8 stainless steel, 3 1/2" or 1 1/2" stainless steel waste assembly included.

Outside dimension: 22" x 22 1/2" (56cm x 57cm)
 Bowl depth: 13 1/2" (34cm)



NOTES:

GAUGE	OVERALL DIMENSIONS		BOWL DIMENSIONS				BOWL DEPTH			
	Left to Right	Front to Back	Left to Right	Front to Back	Left to Right	Front to Back	Left to Right	Front to Back		
16	22"	56cm	22 1/2"	57cm	19 1/2"	50cm	17 1/2"	44cm	13 1/2"	34cm

OPTIONS (check the option(s) you would like and indicate your choices above)

- | | | |
|---|---|--|
| <input type="checkbox"/> A (18 Gauge) | <input type="checkbox"/> F (Left Rear Waste) | <input type="checkbox"/> J (10" Depth) |
| <input type="checkbox"/> B (Mirror Ledge) | <input type="checkbox"/> G (Right Rear Waste) | <input type="checkbox"/> K (12" Depth) |
| <input type="checkbox"/> D (1 1/2" Strainer) | <input type="checkbox"/> H (Stand pipe overflow) | <input type="checkbox"/> OV (Overflow Assembly) |
| <input type="checkbox"/> E (Centre Rear Waste) | <input type="checkbox"/> I (8" Depth) | <input type="checkbox"/> VP (Vandal Resistant Strainer) |

HOLE DRILLINGS

Hole Configuration:	#s to Enter Above	Check here for hole selection
1 hole	<input type="text" value="1"/> <input type="text" value="0"/>	<input type="checkbox"/>
2 hole, 4" (10cm) centre	<input type="text" value="2"/> <input type="text" value="4"/>	<input type="checkbox"/>
3 hole, 4" (10cm) centre	<input type="text" value="3"/> <input type="text" value="4"/>	<input type="checkbox"/>
2 hole, 8" (20cm) centre	<input type="text" value="2"/> <input type="text" value="8"/>	<input type="checkbox"/>
3 hole, 8" (20cm) centre	<input type="text" value="3"/> <input type="text" value="8"/>	<input type="checkbox"/>
Special Holes*	<input type="text" value="S"/> <input type="text" value="H"/>	<input type="checkbox"/>

*Drawings must be included

Engineer's Approval

Novanni has a policy of continuous improvement. All product specifications may change without notice.

Project Number: _____
 Project Name: _____

30" x 20"

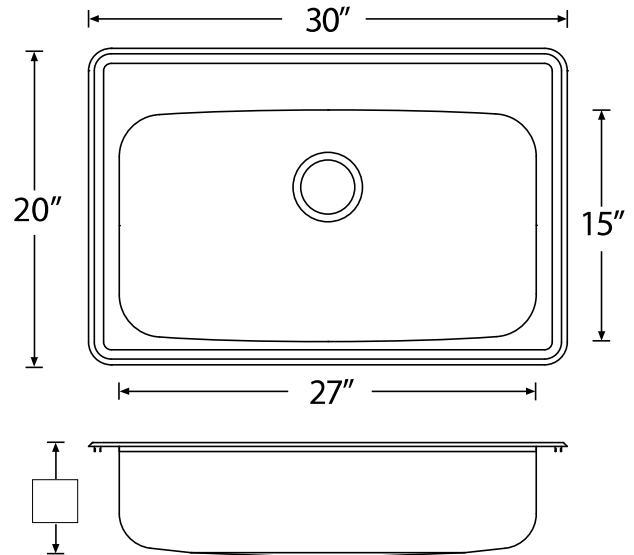
Fixture #



Model 1023, **Single bowl with ledge**, 300 or 316 Series stainless steel, 18 gauge, "U" channel clamp system, self rimming, SynkSeal™ foam in place gasket installed, exposed surfaces finished to a satin finish, 18-8 stainless steel, 3 1/2" or 1 1/2" stainless steel waste assembly included.

Outside dimension: 30" x 20" (76cm x 51cm)
 Standard bowl depth: 7" (18cm)

NOTES:



GAUGE	OVERALL DIMENSIONS				BOWL DIMENSIONS				BOWL DEPTH			
	Left to Right		Front to Back		Left to Right		Front to Back		Standard		Maximum	
18	30"	76cm	20"	51cm	27"	69cm	15"	38cm	7"	18cm	10"	25cm

OPTIONS (check the option(s) you would like and indicate your choices above)

- | | | |
|---|---|--|
| <input type="checkbox"/> STD A (18 Gauge) | <input type="checkbox"/> N/A F (Left Rear Waste) | <input type="checkbox"/> J (10" Depth) |
| <input type="checkbox"/> N/A B (Mirror Ledge) | <input type="checkbox"/> N/A G (Right Rear Waste) | <input type="checkbox"/> N/A K (12" Depth) |
| <input type="checkbox"/> D (1 1/2" Strainer) | <input type="checkbox"/> N/A H (Stand pipe overflow) | <input type="checkbox"/> OV (Overflow Assembly) |
| <input type="checkbox"/> E (Centre Rear Waste) | <input type="checkbox"/> I (8" Depth) | <input type="checkbox"/> VP (Vandal Resistant Strainer) |

HOLE DRILLINGS

Hole Configuration:	#s to Enter Above	Check here for hole selection
1 hole	<input type="text" value="1"/> <input type="text" value="0"/>	<input type="checkbox"/>
2 hole, 4" (10cm) centre	<input type="text" value="2"/> <input type="text" value="4"/>	<input type="checkbox"/>
3 hole, 4" (10cm) centre	<input type="text" value="3"/> <input type="text" value="4"/>	<input type="checkbox"/>
2 hole, 8" (20cm) centre	<input type="text" value="2"/> <input type="text" value="8"/>	<input type="checkbox"/>
3 hole, 8" (20cm) centre	<input type="text" value="3"/> <input type="text" value="8"/>	<input type="checkbox"/>
Special Holes*	<input type="text" value="S"/> <input type="text" value="H"/>	<input type="checkbox"/>

*Drawings must be included

Engineer's Approval

Novanni has a policy of continuous improvement. All product specifications may change without notice.

Project Number: _____
 Project Name: _____

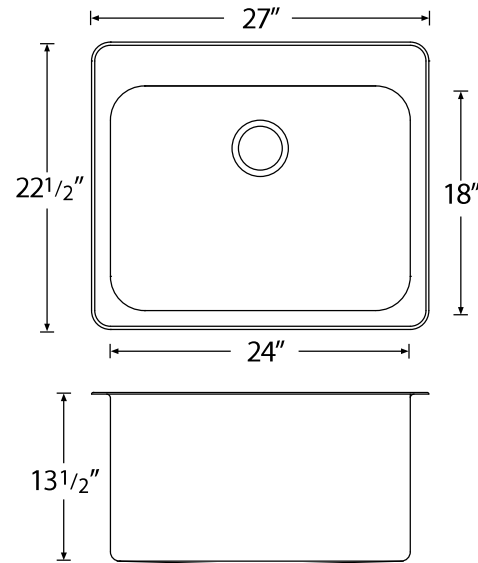
27" x 22 1/2"

Fixture #



Model 1025, **Single bowl with ledge**, 300 or 316 Series stainless steel, 16 gauge, "U" channel clamp system, self rimming, exposed surfaces finished to a satin finish, 18-8 stainless steel, 3 1/2" or 1 1/2" stainless steel waste assembly included.

Outside dimension: 27" x 22 1/2" (69cm x 57cm)
 Bowl depth: 13 1/2" (34cm)



NOTES:

GAUGE	OVERALL DIMENSIONS		BOWL DIMENSIONS				BOWL DEPTH			
	Left to Right	Front to Back	Left to Right	Front to Back	Left to Right	Front to Back	Left to Right	Front to Back		
16	27"	69cm	22 1/2"	57cm	24"	61cm	18"	46cm	13 1/2"	34cm

OPTIONS (check the option(s) you would like and indicate your choices above)

- | | | |
|---|---|--|
| <input type="checkbox"/> A (18 Gauge) | <input type="checkbox"/> F (Left Rear Waste) | <input type="checkbox"/> J (10" Depth) |
| <input type="checkbox"/> B (Mirror Ledge) | <input type="checkbox"/> G (Right Rear Waste) | <input type="checkbox"/> K (12" Depth) |
| <input type="checkbox"/> D (1 1/2" Strainer) | <input type="checkbox"/> H (Stand pipe overflow) | <input type="checkbox"/> OV (Overflow Assembly) |
| <input type="checkbox"/> E (Centre Rear Waste) | <input type="checkbox"/> I (8" Depth) | <input type="checkbox"/> VP (Vandal Resistant Strainer) |

HOLE DRILLINGS

Hole Configuration:	#s to Enter Above	Check here for hole selection
1 hole	<input type="text" value="1"/> <input type="text" value="0"/>	<input type="checkbox"/>
2 hole, 4" (10cm) centre	<input type="text" value="2"/> <input type="text" value="4"/>	<input type="checkbox"/>
3 hole, 4" (10cm) centre	<input type="text" value="3"/> <input type="text" value="4"/>	<input type="checkbox"/>
2 hole, 8" (20cm) centre	<input type="text" value="2"/> <input type="text" value="8"/>	<input type="checkbox"/>
3 hole, 8" (20cm) centre	<input type="text" value="3"/> <input type="text" value="8"/>	<input type="checkbox"/>
Special Holes*	<input type="text" value="S"/> <input type="text" value="H"/>	<input type="checkbox"/>

*Drawings must be included

Engineer's Approval

Novanni has a policy of continuous improvement. All product specifications may change without notice.