

Project Number: _____
 Project Name: _____

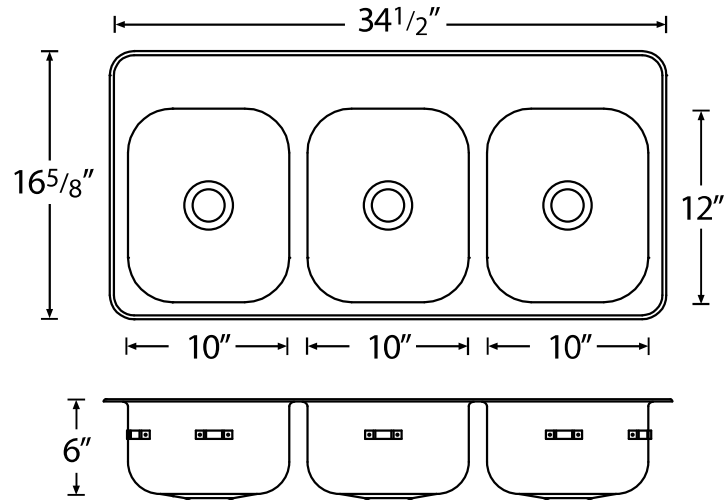
34 1/2" x 16 5/8"

Model 3001, **Triple bowl with ledge**, 300 or 300 Series stainless steel, 20 gauge (18 gauge available as option A), Off the bowl clamp system, self rimming, exposed surfaces finished to a satin finish, 18-8 stainless steel, 1 1/2" stainless steel waste assembly included.

Outside dimension: 34 1/2" x 16 5/8" (88cm x 42cm)
 Bowl depth: 6" (15cm)



Fixture #



NOTES:

| GAUGE | OVERALL DIMENSIONS | | BOWL DIMENSIONS | | | | BOWL DEPTH | | | |
|-------|--------------------|------|-----------------|------|---------------|------|---------------|------|----|------|
| | Left to Right | | Front to Back | | Left to Right | | Front to Back | | | |
| 20 | 34 1/2" | 88cm | 16 5/8" | 42cm | 10" | 25cm | 12" | 30cm | 6" | 15cm |

OPTIONS (check the option(s) you would like and indicate your choices above)

- | | | |
|---|---|--|
| <input type="checkbox"/> A (18 Gauge) | <input type="checkbox"/> F (Left Rear Waste) | <input type="checkbox"/> J (10" Depth) |
| <input type="checkbox"/> B (Mirror Ledge) | <input type="checkbox"/> G (Right Rear Waste) | <input type="checkbox"/> K (12" Depth) |
| <input type="checkbox"/> D (1 1/2" Strainer) | <input type="checkbox"/> H (Stand pipe overflow) | <input type="checkbox"/> OV (Overflow Assembly) |
| <input type="checkbox"/> E (Centre Rear Waste) | <input type="checkbox"/> I (8" Depth) | <input type="checkbox"/> VP (Vandal Resistant Strainer) |

HOLE DRILLINGS

| Hole Configuration: | #s to Enter Above | Check here for hole selection |
|--------------------------|---|-------------------------------|
| 1 hole | <input type="text" value="1"/> <input type="text" value="0"/> | <input type="checkbox"/> |
| 2 hole, 4" (10cm) centre | <input type="text" value="2"/> <input type="text" value="4"/> | <input type="checkbox"/> |
| 3 hole, 4" (10cm) centre | <input type="text" value="3"/> <input type="text" value="4"/> | <input type="checkbox"/> |
| 2 hole, 8" (20cm) centre | <input type="text" value="2"/> <input type="text" value="8"/> | <input type="checkbox"/> |
| 3 hole, 8" (20cm) centre | <input type="text" value="3"/> <input type="text" value="8"/> | <input type="checkbox"/> |
| Special Holes* | <input type="text" value="S"/> <input type="text" value="H"/> | <input type="checkbox"/> |

*Drawings must be included

Engineer's Approval

Novanni has a policy of continuous improvement. All product specifications may change without notice.

Project Number: _____
 Project Name: _____

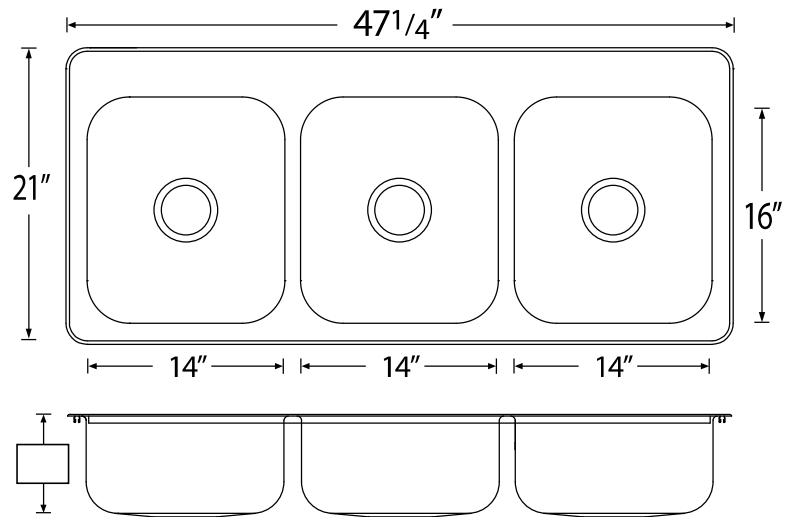
47 1/4" x 21"

Fixture #

Model 3005, **Triple with ledge**, 300 or 300 Series stainless steel, 20 gauge (18 gauge available as option A), "U" channel clamp system, self rimming, exposed surfaces finished to a satin finish, 18-8 stainless steel, 3 1/2" or 1 1/2" stainless steel waste assembly included.

Outside dimension: 47 1/4" x 21" (120cm x 53cm)
 Standard bowl depth: 7" (18cm)

NOTES:



| GAUGE | OVERALL DIMENSIONS | | | | BOWL DIMENSIONS | | | | BOWL DEPTH | | | |
|-------|--------------------|-------|---------------|------|-----------------|------|---------------|------|------------|------|---------|------|
| | Left to Right | | Front to Back | | Left to Right | | Front to Back | | Standard | | Maximum | |
| 20 | 47 1/4" | 120cm | 21" | 53cm | 14" | 36cm | 16" | 41cm | 7" | 18cm | 10" | 25cm |

OPTIONS (check the option(s) you would like and indicate your choices above)

- | | | |
|---|---|--|
| <input type="checkbox"/> A (18 Gauge) | <input type="checkbox"/> F (Left Rear Waste) | <input type="checkbox"/> J (10" Depth) |
| <input type="checkbox"/> N/A B (Mirror Ledge) | <input type="checkbox"/> G (Right Rear Waste) | <input type="checkbox"/> N/A K (12" Depth) |
| <input type="checkbox"/> D (1 1/2" Strainer) | <input type="checkbox"/> N/A H (Stand pipe overflow) | <input type="checkbox"/> OV (Overflow Assembly) |
| <input type="checkbox"/> E (Centre Rear Waste) | <input type="checkbox"/> I (8" Depth) | <input type="checkbox"/> VP (Vandal Resistant Strainer) |

HOLE DRILLINGS

| Hole Configuration: | #s to Enter Above | Check here for hole selection |
|--------------------------|---|-------------------------------|
| 1 hole | <input type="text" value="1"/> <input type="text" value="0"/> | <input type="checkbox"/> |
| 2 hole, 4" (10cm) centre | <input type="text" value="2"/> <input type="text" value="4"/> | <input type="checkbox"/> |
| 3 hole, 4" (10cm) centre | <input type="text" value="3"/> <input type="text" value="4"/> | <input type="checkbox"/> |
| 2 hole, 8" (20cm) centre | <input type="text" value="2"/> <input type="text" value="8"/> | <input type="checkbox"/> |
| 3 hole, 8" (20cm) centre | <input type="text" value="3"/> <input type="text" value="8"/> | <input type="checkbox"/> |
| Special Holes* | <input type="text" value="S"/> <input type="text" value="H"/> | <input type="checkbox"/> |

*Drawings must be included

Engineer's Approval

Novanni has a policy of continuous improvement. All product specifications may change without notice.

Project Number: _____

Project Name: _____

53 1/4" x 23"

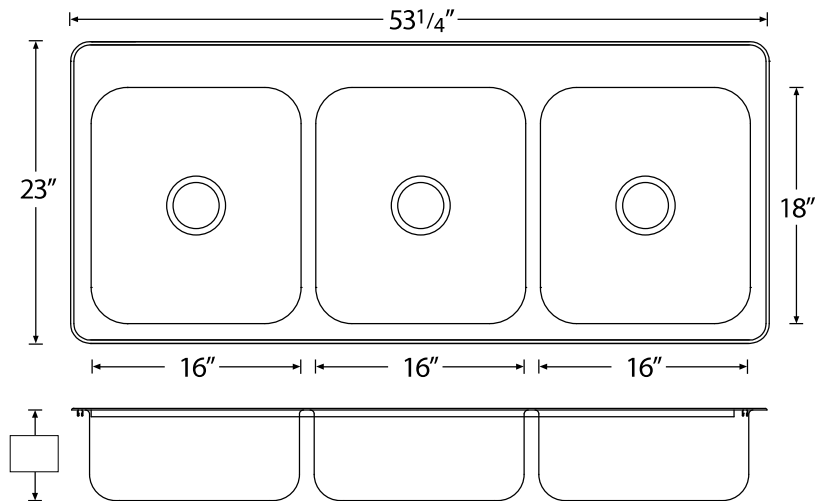
Fixture #



Model 3009, **Triple with ledge**, 300 or 300 Series stainless steel, 20 gauge (18 gauge available as option A), "U" channel clamp system, self rimming, exposed surfaces finished to a satin finish, 18-8 stainless steel, 3 1/2" or 1 1/2" stainless steel waste assembly included.

Outside dimension: 53 1/4" x 23" (135cm x 58cm)
 Standard bowl depth: 7" (18cm)

NOTES:



| GAUGE | OVERALL DIMENSIONS | | | | BOWL DIMENSIONS | | | | BOWL DEPTH | | | |
|-------|--------------------|-------|---------------|------|-----------------|------|---------------|------|------------|------|---------|------|
| | Left to Right | | Front to Back | | Left to Right | | Front to Back | | Standard | | Maximum | |
| 20 | 53 1/4" | 135cm | 23" | 58cm | 16" | 41cm | 18" | 46cm | 7" | 18cm | 10" | 25cm |

OPTIONS (check the option(s) you would like and indicate your choices above)

- | | | |
|---|---|--|
| <input type="checkbox"/> A (18 Gauge) | <input type="checkbox"/> F (Left Rear Waste) | <input type="checkbox"/> J (10" Depth) |
| <input type="checkbox"/> N/A B (Mirror Ledge) | <input type="checkbox"/> G (Right Rear Waste) | <input type="checkbox"/> N/A K (12" Depth) |
| <input type="checkbox"/> D (1 1/2" Strainer) | <input type="checkbox"/> N/A H (Stand pipe overflow) | <input type="checkbox"/> OV (Overflow Assembly) |
| <input type="checkbox"/> E (Centre Rear Waste) | <input type="checkbox"/> I (8" Depth) | <input type="checkbox"/> VP (Vandal Resistant Strainer) |

HOLE DRILLINGS

| Hole Configuration: | #s to Enter Above | Check here for hole selection |
|--------------------------|---|-------------------------------|
| 1 hole | <input type="text" value="1"/> <input type="text" value="0"/> | <input type="checkbox"/> |
| 2 hole, 4" (10cm) centre | <input type="text" value="2"/> <input type="text" value="4"/> | <input type="checkbox"/> |
| 3 hole, 4" (10cm) centre | <input type="text" value="3"/> <input type="text" value="4"/> | <input type="checkbox"/> |
| 2 hole, 8" (20cm) centre | <input type="text" value="2"/> <input type="text" value="8"/> | <input type="checkbox"/> |
| 3 hole, 8" (20cm) centre | <input type="text" value="3"/> <input type="text" value="8"/> | <input type="checkbox"/> |
| Special Holes* | <input type="text" value="S"/> <input type="text" value="H"/> | <input type="checkbox"/> |

*Drawings must be included

Engineer's Approval

Novanni has a policy of continuous improvement. All product specifications may change without notice.

Project Number: _____

Project Name: _____

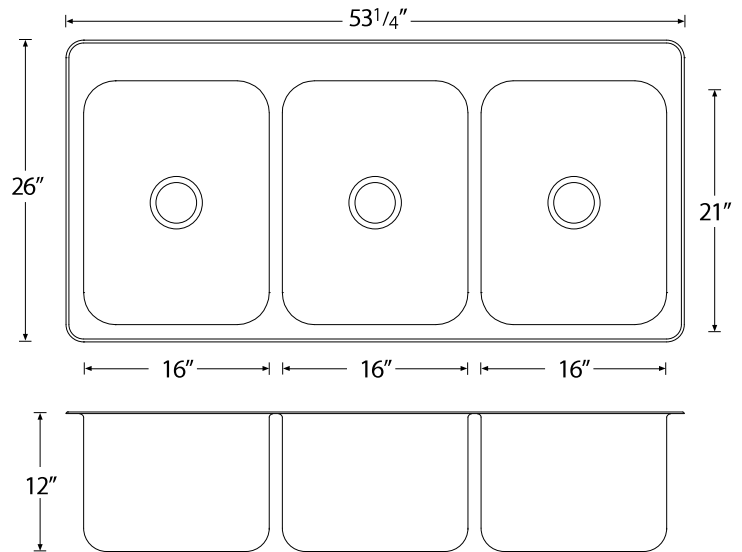
53 1/4" x 26"

Fixture #

Model 3013, **Triple with ledge**, 300 or 300 Series stainless steel, 18 gauge, "U" channel clamp system, self rimming, exposed surfaces finished to a satin finish, 18-8 stainless steel, 3 1/2" or 1 1/2" stainless steel waste assembly included.

Outside dimension: 53 1/4" x 26" (135cm x 66cm)
 Bowl depth: 12" (30cm)

NOTES:



| GAUGE | OVERALL DIMENSIONS | | BOWL DIMENSIONS | | | | BOWL DEPTH | | | |
|-------|--------------------|---------------|-----------------|---------------|---------------|---------------|---------------|---------------|-----|------|
| | Left to Right | Front to Back | Left to Right | Front to Back | Left to Right | Front to Back | Left to Right | Front to Back | | |
| 18 | 53 1/4" | 135cm | 26" | 66cm | 16" | 41cm | 21" | 53cm | 12" | 30cm |

OPTIONS (check the option(s) you would like and indicate your choices above)

- A** (18 Gauge)
- F** (Left Rear Waste)
- J** (10" Depth)
- B** (Mirror Ledge)
- G** (Right Rear Waste)
- K** (12" Depth)
- D** (1 1/2" Strainer)
- H** (Stand pipe overflow)
- OV** (Overflow Assembly)
- E** (Centre Rear Waste)
- I** (8" Depth)
- VP** (Vandal Resistant Strainer)

HOLE DRILLINGS

| Hole Configuration: | #s to Enter Above | Check here for hole selection |
|--------------------------|---|-------------------------------|
| 1 hole | <input type="text" value="1"/> <input type="text" value="0"/> | <input type="checkbox"/> |
| 2 hole, 4" (10cm) centre | <input type="text" value="2"/> <input type="text" value="4"/> | <input type="checkbox"/> |
| 3 hole, 4" (10cm) centre | <input type="text" value="3"/> <input type="text" value="4"/> | <input type="checkbox"/> |
| 2 hole, 8" (20cm) centre | <input type="text" value="2"/> <input type="text" value="8"/> | <input type="checkbox"/> |
| 3 hole, 8" (20cm) centre | <input type="text" value="3"/> <input type="text" value="8"/> | <input type="checkbox"/> |
| Special Holes* | <input type="text" value="S"/> <input type="text" value="H"/> | <input type="checkbox"/> |

*Drawings must be included

Engineer's Approval

Novanni has a policy of continuous improvement. All product specifications may change without notice.