

6201 -

6201/316 -

Input Options chosen below

See Hole Drillings Below for Options

Project Number: _____

Project Name: _____

36" x 18"

Fixture #

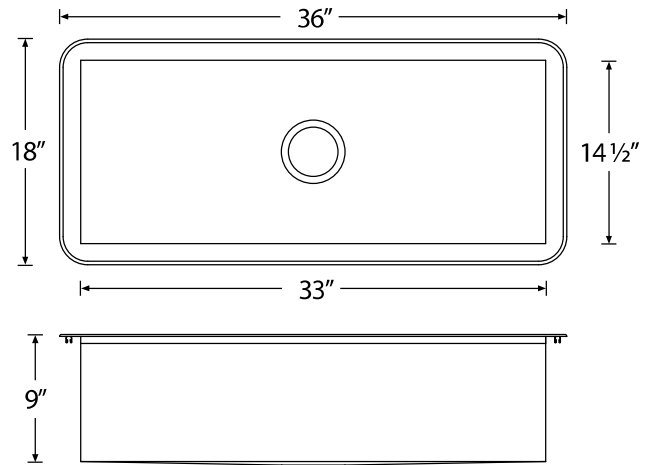


Model 6201, **Single drop-in trough**, 300 or 316 Series stainless steel, 16 gauge, "U" channel clamp system, exposed surfaces finished to a satin finish, 18-8 stainless steel, 3 1/2" or 1 1/2" waste assembly included.

Outside dimension: 36" x 18" (91cm x 46cm)

Bowl depth: 9" (23cm)

NOTES:



GAUGE	OVERALL DIMENSIONS		BOWL DIMENSIONS				BOWL DEPTH			
	Left to Right	Front to Back	Left to Right	Front to Back	Front to Back					
16	36"	91cm	18"	46cm	33"	84cm	14 1/2"	37cm	9"	23cm

OPTIONS (check the option(s) you would like and indicate your choices above)

- A** (18 Gauge)
- F** (Left Waste)
- J** (10" Depth)
- B** (Mirror Ledge)
- G** (Right Waste)
- K** (12" Depth)
- D** (1 1/2" Strainer)
- H** (Stand pipe overflow w/ guard)
- OV** (Overflow Assembly)
- E** (Centre Waste)
- I** (8" Depth)
- VP** (Vandal Resistant Strainer)

HOLE DRILLINGS

Hole Configuration:	#s to Enter Above	Check here for hole selection
1 hole	<input type="text" value="1"/> <input type="text" value="0"/>	<input type="checkbox"/>
2 hole, 4" (10cm) centre	<input type="text" value="2"/> <input type="text" value="4"/>	<input type="checkbox"/>
3 hole, 4" (10cm) centre	<input type="text" value="3"/> <input type="text" value="4"/>	<input type="checkbox"/>
2 hole, 8" (20cm) centre	<input type="text" value="2"/> <input type="text" value="8"/>	<input type="checkbox"/>
3 hole, 8" (20cm) centre	<input type="text" value="3"/> <input type="text" value="8"/>	<input type="checkbox"/>
Special Holes*	<input type="text" value="S"/> <input type="text" value="H"/>	<input type="checkbox"/>

*Drawings must be included

Engineer's Approval

Novanni has a policy of continuous improvement. All product specifications may change without notice.

Project Number: _____
 Project Name: _____

48" x 18"

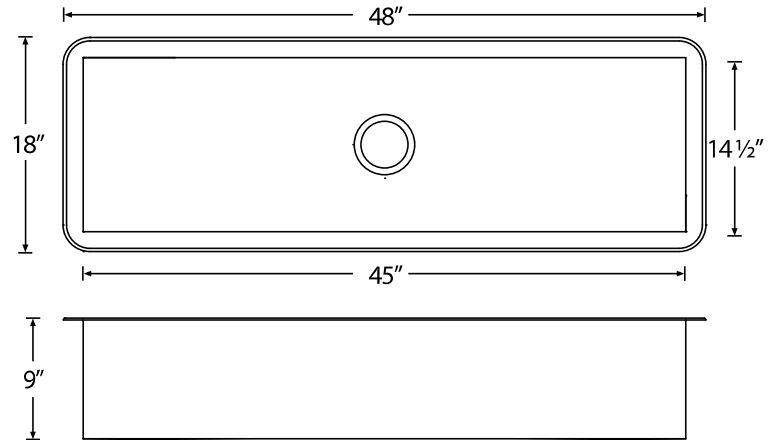
Fixture #



Model 6202, **Single drop-in trough**, 300 or 316 Series stainless steel, 16 gauge, "U" channel clamp system, exposed surfaces finished to a satin finish, 18-8 stainless steel, 3 1/2" or 1 1/2" waste assembly included.

Outside dimension: 48" x 18" (122cm x 46cm)
 Bowl depth: 9" (23cm)

NOTES:



GAUGE	OVERALL DIMENSIONS		BOWL DIMENSIONS				BOWL DEPTH			
	Left to Right	Front to Back	Left to Right	Front to Back	Front to Back					
16	48"	122cm	18"	46cm	45"	114cm	14 1/2"	37cm	9"	23cm

OPTIONS (check the option(s) you would like and indicate your choices above)

- A** (18 Gauge)
- F** (Left Waste)
- J** (10" Depth)
- B** (Mirror Ledge)
- G** (Right Waste)
- K** (12" Depth)
- D** (1 1/2" Strainer)
- H** (Stand pipe overflow w/ guard)
- OV** (Overflow Assembly)
- E** (Centre Waste)
- I** (8" Depth)
- VP** (Vandal Resistant Strainer)

HOLE DRILLINGS

Hole Configuration:	#s to Enter Above	Check here for hole selection
1 hole	<input type="text" value="1"/> <input type="text" value="0"/>	<input type="checkbox"/>
2 hole, 4" (10cm) centre	<input type="text" value="2"/> <input type="text" value="4"/>	<input type="checkbox"/>
3 hole, 4" (10cm) centre	<input type="text" value="3"/> <input type="text" value="4"/>	<input type="checkbox"/>
2 hole, 8" (20cm) centre	<input type="text" value="2"/> <input type="text" value="8"/>	<input type="checkbox"/>
3 hole, 8" (20cm) centre	<input type="text" value="3"/> <input type="text" value="8"/>	<input type="checkbox"/>
Special Holes*	<input type="text" value="S"/> <input type="text" value="H"/>	<input type="checkbox"/>

*Drawings must be included

Engineer's Approval

Novanni has a policy of continuous improvement. All product specifications may change without notice.

Input Options chosen below

See Hole Drillings Below for Options

Project Number: _____

Project Name: _____

60" x 18"

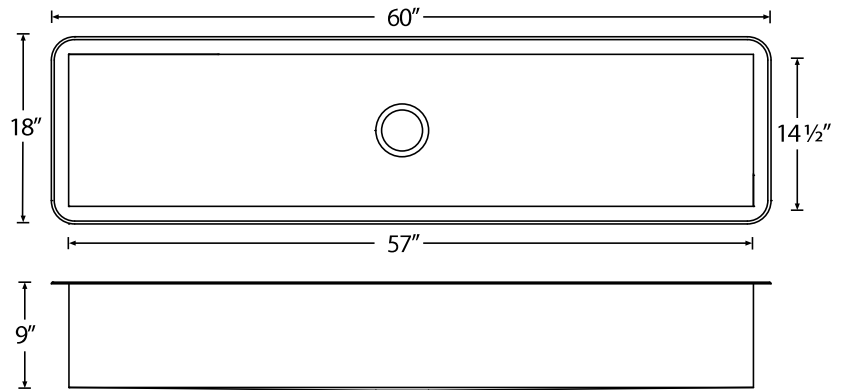
Fixture #



Model 6203, **Single drop-in trough**, 300 or 316 Series stainless steel, 16 gauge, "U" channel clamp system, exposed surfaces finished to a satin finish, 18-8 stainless steel, 3 1/2" or 1 1/2" waste assembly included.

Outside dimension: 60" x 18" (152cm x 46cm)
 Bowl depth: 9" (23cm)

NOTES:



GAUGE	OVERALL DIMENSIONS		BOWL DIMENSIONS				BOWL DEPTH			
	Left to Right	Front to Back	Left to Right	Front to Back	Left to Right	Front to Back	Left to Right	Front to Back		
16	60"	152cm	18"	46cm	57"	145cm	14 1/2"	37cm	9"	23cm

OPTIONS (check the option(s) you would like and indicate your choices above)

- A** (18 Gauge)
- F** (Left Waste)
- J** (10" Depth)
- B** (Mirror Ledge)
- G** (Right Waste)
- K** (12" Depth)
- D** (1 1/2" Strainer)
- H** (Stand pipe overflow w/ guard)
- OV** (Overflow Assembly)
- E** (Centre Waste)
- I** (8" Depth)
- VP** (Vandal Resistant Strainer)

HOLE DRILLINGS

Hole Configuration:	#s to Enter Above	Check here for hole selection
1 hole	<input type="text" value="1"/> <input type="text" value="0"/>	<input type="checkbox"/>
2 hole, 4" (10cm) centre	<input type="text" value="2"/> <input type="text" value="4"/>	<input type="checkbox"/>
3 hole, 4" (10cm) centre	<input type="text" value="3"/> <input type="text" value="4"/>	<input type="checkbox"/>
2 hole, 8" (20cm) centre	<input type="text" value="2"/> <input type="text" value="8"/>	<input type="checkbox"/>
3 hole, 8" (20cm) centre	<input type="text" value="3"/> <input type="text" value="8"/>	<input type="checkbox"/>
Special Holes*	<input type="text" value="S"/> <input type="text" value="H"/>	<input type="checkbox"/>

*Drawings must be included

Engineer's Approval

Novanni has a policy of continuous improvement. All product specifications may change without notice.

Input Options chosen below

See Hole Drillings Below for Options

Project Number: _____

Project Name: _____

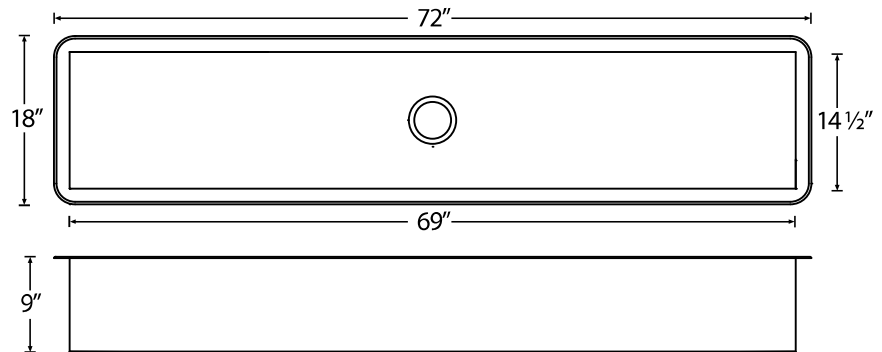
72" x 18"

Fixture #



Model 6204, **Single drop-in trough**, 300 or 316 Series stainless steel, 16 gauge, "U" channel clamp system, exposed surfaces finished to a satin finish, 18-8 stainless steel, 3 1/2" or 1 1/2" waste assembly included.

Outside dimension: 72" x 18" (183cm x 46cm)
 Bowl depth: 9" (23cm)



NOTES:

GAUGE	OVERALL DIMENSIONS		BOWL DIMENSIONS				BOWL DEPTH			
	Left to Right	Front to Back	Left to Right	Front to Back						
16	72"	183cm	18"	46cm	69"	175cm	14 1/2"	37cm	9"	23cm

OPTIONS (check the option(s) you would like and indicate your choices above)

- A** (18 Gauge)
- F** (Left Waste)
- J** (10" Depth)
- B** (Mirror Ledge)
- G** (Right Waste)
- K** (12" Depth)
- D** (1 1/2" Strainer)
- H** (Stand pipe overflow w/ guard)
- OV** (Overflow Assembly)
- E** (Centre Waste)
- I** (8" Depth)
- VP** (Vandal Resistant Strainer)

HOLE DRILLINGS

Hole Configuration:	#s to Enter Above	Check here for hole selection
1 hole	<input type="text" value="1"/> <input type="text" value="0"/>	<input type="checkbox"/>
2 hole, 4" (10cm) centre	<input type="text" value="2"/> <input type="text" value="4"/>	<input type="checkbox"/>
3 hole, 4" (10cm) centre	<input type="text" value="3"/> <input type="text" value="4"/>	<input type="checkbox"/>
2 hole, 8" (20cm) centre	<input type="text" value="2"/> <input type="text" value="8"/>	<input type="checkbox"/>
3 hole, 8" (20cm) centre	<input type="text" value="3"/> <input type="text" value="8"/>	<input type="checkbox"/>
Special Holes*	<input type="text" value="S"/> <input type="text" value="H"/>	<input type="checkbox"/>

*Drawings must be included

Engineer's Approval

Novanni has a policy of continuous improvement. All product specifications may change without notice.