

Project Number: _____
 Project Name: _____

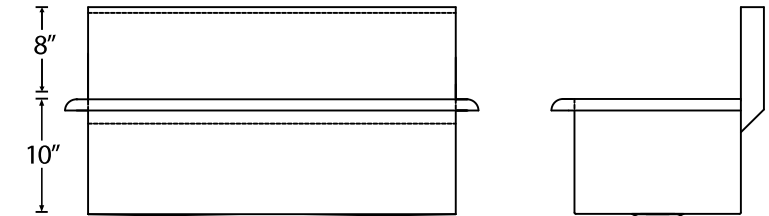
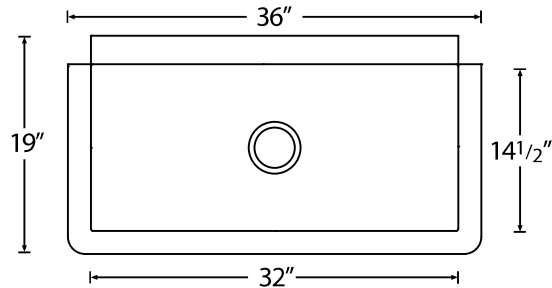
36" x 19"

Model 6001, **Single wallmount trough**, 300 or 316 Series stainless steel, 16 gauge, wall hanger bracket included, exposed surfaces finished to a satin finish, 18-8 stainless steel, 3 1/2" or 1 1/2" waste assembly included.

Outside dimension: 36" x 19" (91cm x 48cm)
 Bowl depth: 10" (25cm)



Fixture #



NOTES:

GAUGE	BACKSPLASH HEIGHT		OVERALL DIMENSIONS				BOWL DIMENSIONS				BOWL DEPTH	
			Left to Right		Front to Back		Left to Right		Front to Back			
16	8"	20cm	36"	91cm	19"	48cm	32"	81cm	14 1/2"	37cm	10"	25cm

OPTIONS (check the option(s) you would like and indicate your choices above)

- N/A A** (18 Gauge)
- F** (Left Waste)
- STD J** (10" Depth)
- N/A B** (Mirror Ledge)
- G** (Right Waste)
- N/A K** (12" Depth)
- D** (1 1/2" Strainer)
- H** (Stand pipe overflow w/ guard)
- OV** (Overflow Assembly)
- E** (Centre Waste)
- N/A I** (8" Depth)
- VP** (Vandal Resistant Strainer)
- X** (Coved Corners)

HOLE DRILLINGS

Hole Configuration:	#s to Enter Above	Check here for hole selection
1 hole	<input type="text" value="1"/> <input type="text" value="0"/>	<input type="checkbox"/>
2 hole, 4" (10cm) centre	<input type="text" value="2"/> <input type="text" value="4"/>	<input type="checkbox"/>
3 hole, 4" (10cm) centre	<input type="text" value="3"/> <input type="text" value="4"/>	<input type="checkbox"/>
2 hole, 8" (20cm) centre	<input type="text" value="2"/> <input type="text" value="8"/>	<input type="checkbox"/>
3 hole, 8" (20cm) centre	<input type="text" value="3"/> <input type="text" value="8"/>	<input type="checkbox"/>
Special Holes*	<input type="text" value="S"/> <input type="text" value="H"/>	<input type="checkbox"/>

*Drawings must be included

Engineer's Approval

Novanni has a policy of continuous improvement. All product specifications may change without notice.

Project Number: _____

Project Name: _____

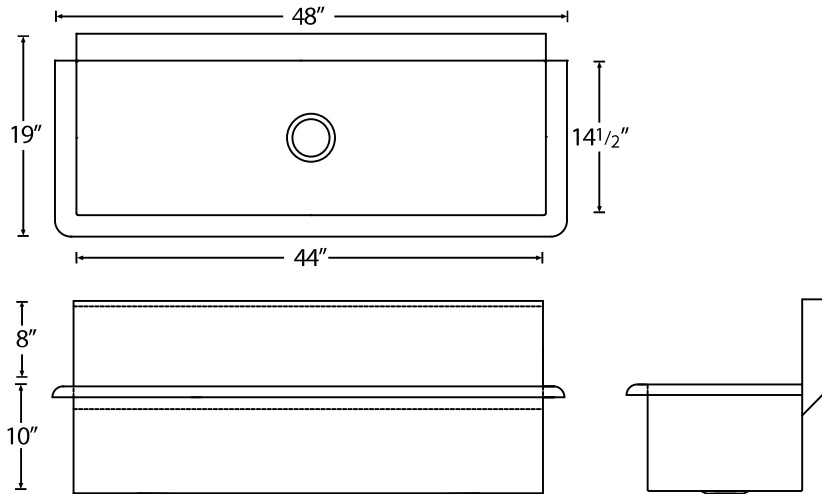
48" x 19"

Fixture #



Model 6002, **Single wallmount trough**, 300 or 316 Series stainless steel, 16 gauge, wall hanger bracket included, exposed surfaces finished to a satin finish, 18-8 stainless steel, 3 1/2" or 1 1/2" waste assembly included.

Outside dimension: 48" x 19" (122cm x 48cm)
 Bowl depth: 10" (25cm)



NOTES:

GAUGE	BACKSPLASH HEIGHT		OVERALL DIMENSIONS				BOWL DIMENSIONS				BOWL DEPTH	
			Left to Right		Front to Back		Left to Right		Front to Back			
16	8"	20cm	48"	122cm	19"	48cm	44"	112cm	14 1/2"	37cm	10"	25cm

OPTIONS (check the option(s) you would like and indicate your choices above)

- N/A A** (18 Gauge)
- F** (Left Waste)
- STD J** (10" Depth)
- N/A B** (Mirror Ledge)
- G** (Right Waste)
- N/A K** (12" Depth)
- D** (1 1/2" Strainer)
- H** (Stand pipe overflow w/ guard)
- OV** (Overflow Assembly)
- E** (Centre Waste)
- N/A I** (8" Depth)
- VP** (Vandal Resistant Strainer)
- X** (Coved Corners)

HOLE DRILLINGS

Hole Configuration:	#s to Enter Above	Check here for hole selection
1 hole	<input type="text" value="1"/> <input type="text" value="0"/>	<input type="checkbox"/>
2 hole, 4" (10cm) centre	<input type="text" value="2"/> <input type="text" value="4"/>	<input type="checkbox"/>
3 hole, 4" (10cm) centre	<input type="text" value="3"/> <input type="text" value="4"/>	<input type="checkbox"/>
2 hole, 8" (20cm) centre	<input type="text" value="2"/> <input type="text" value="8"/>	<input type="checkbox"/>
3 hole, 8" (20cm) centre	<input type="text" value="3"/> <input type="text" value="8"/>	<input type="checkbox"/>
Special Holes*	<input type="text" value="S"/> <input type="text" value="H"/>	<input type="checkbox"/>

*Drawings must be included

Engineer's Approval

Novanni has a policy of continuous improvement. All product specifications may change without notice.

Input Options chosen below

See Hole Drillings Below for Options

Project Number: _____

Project Name: _____

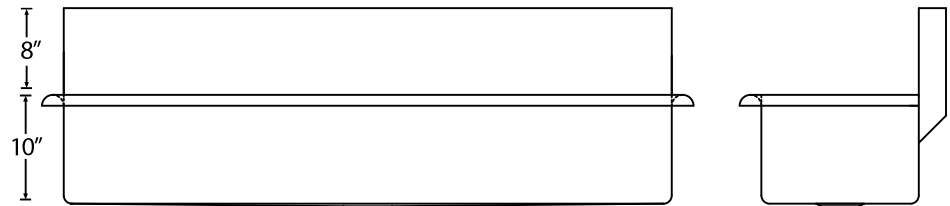
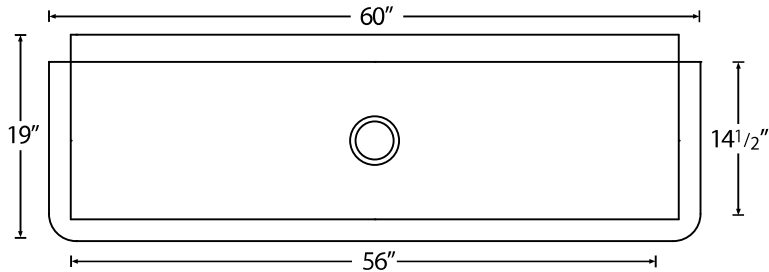
60" x 19"

Fixture #



Model 6003, **Single wallmount trough**, 300 or 316 Series stainless steel, 16 gauge, wall hanger bracket included, exposed surfaces finished to a satin finish, 18-8 stainless steel, 3 1/2" or 1 1/2" waste assembly included.

Outside dimension: 60" x 19"
 (152cm x 48cm)
 Bowl depth: 10" (25cm)



NOTES:

GAUGE	BACKSPLASH HEIGHT		OVERALL DIMENSIONS				BOWL DIMENSIONS				BOWL DEPTH	
			Left to Right		Front to Back		Left to Right		Front to Back			
16	8"	20cm	60"	152cm	19"	48cm	56"	142cm	14 1/2"	37cm	10"	25cm

OPTIONS (check the option(s) you would like and indicate your choices above)

- A** (18 Gauge)
- F** (Left Waste)
- STD J** (10" Depth)
- B** (Mirror Ledge)
- G** (Right Waste)
- N/A K** (12" Depth)
- D** (1 1/2" Strainer)
- H** (Stand pipe overflow w/guard)
- OV** (Overflow Assembly)
- E** (Centre Waste)
- N/A I** (8" Depth)
- VP** (Vandal Resistant Strainer)
- X** (Coved Corners)

HOLE DRILLINGS

Hole Configuration:	#s to Enter Above	Check here for hole selection
1 hole	<input type="text" value="1"/> <input type="text" value="0"/>	<input type="checkbox"/>
2 hole, 4" (10cm) centre	<input type="text" value="2"/> <input type="text" value="4"/>	<input type="checkbox"/>
3 hole, 4" (10cm) centre	<input type="text" value="3"/> <input type="text" value="4"/>	<input type="checkbox"/>
2 hole, 8" (20cm) centre	<input type="text" value="2"/> <input type="text" value="8"/>	<input type="checkbox"/>
3 hole, 8" (20cm) centre	<input type="text" value="3"/> <input type="text" value="8"/>	<input type="checkbox"/>
Special Holes*	<input type="text" value="S"/> <input type="text" value="H"/>	<input type="checkbox"/>

*Drawings must be included

Engineer's Approval

Novanni has a policy of continuous improvement. All product specifications may change without notice.

Input Options chosen below

See Hole Drillings Below for Options

Project Number: _____

Project Name: _____

72" x 19"

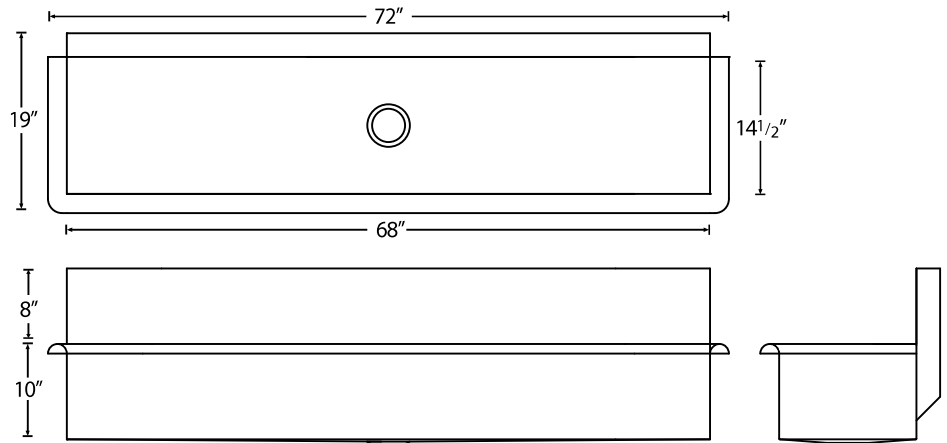
Fixture #



Model 6004, **Single wallmount trough**,
 300 or 316 Series stainless steel, 16
 gauge, wall hanger bracket included,
 exposed surfaces finished to a satin
 finish, 18-8 stainless steel, 3 1/2" or
 1 1/2" waste assembly included.

Outside dimension: 72" x 19"
 (183cm x 48cm)
 Bowl depth: 10" (25cm)

NOTES:



GAUGE	BACKSPLASH HEIGHT		OVERALL DIMENSIONS				BOWL DIMENSIONS				BOWL DEPTH	
			Left to Right		Front to Back		Left to Right		Front to Back			
16	8"	20cm	72"	183cm	19"	48cm	68"	173cm	14 1/2"	37cm	10"	25cm

OPTIONS (check the option(s) you would like and indicate your choices above)

- A** (18 Gauge)
- F** (Left Waste)
- J** (10" Depth)
- B** (Mirror Ledge)
- G** (Right Waste)
- K** (12" Depth)
- D** (1 1/2" Strainer)
- H** (Stand pipe overflow w/ guard)
- OV** (Overflow Assembly)
- E** (Centre Waste)
- I** (8" Depth)
- VP** (Vandal Resistant Strainer)
- X** (Coved Corners)

HOLE DRILLINGS

Hole Configuration:	#s to Enter Above	Check here for hole selection
1 hole	<input type="text" value="1"/> <input type="text" value="0"/>	<input type="checkbox"/>
2 hole, 4" (10cm) centre	<input type="text" value="2"/> <input type="text" value="4"/>	<input type="checkbox"/>
3 hole, 4" (10cm) centre	<input type="text" value="3"/> <input type="text" value="4"/>	<input type="checkbox"/>
2 hole, 8" (20cm) centre	<input type="text" value="2"/> <input type="text" value="8"/>	<input type="checkbox"/>
3 hole, 8" (20cm) centre	<input type="text" value="3"/> <input type="text" value="8"/>	<input type="checkbox"/>
Special Holes*	<input type="text" value="S"/> <input type="text" value="H"/>	<input type="checkbox"/>

*Drawings must be included

Engineer's Approval

Novanni has a policy of continuous improvement.
 All product specifications may change without notice.