



**16 1/4" x 20 5/8"**

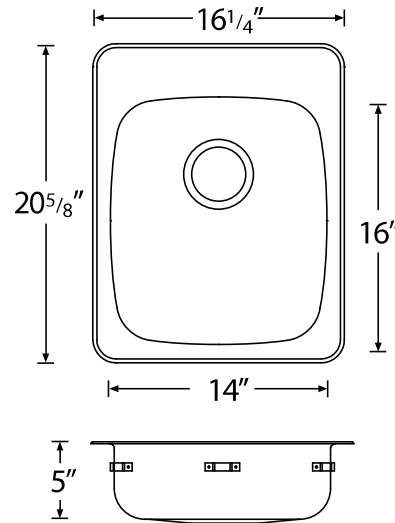
Project Number: \_\_\_\_\_  
 Project Name: \_\_\_\_\_

Model 4201, **Single Bowl Wheelchair Accessible Sink**, 300 Series stainless steel, 20 gauge (18 gauge available as option A), Off the bowl clamp system, self rimming, SynkSeal™ foam in place gasket installed, exposed surfaces finished to a satin finish, 18-8 stainless steel, 3 1/2" or 1 1/2" waste assembly included.

Outside dimension: 16 1/4" x 20 5/8" (41cm x 52cm)  
 Bowl depth: 5" (13cm)



Fixture #



NOTES:

\_\_\_\_\_  
 \_\_\_\_\_  
 \_\_\_\_\_  
 \_\_\_\_\_

BOWL STYLE	GAUGE	OVERALL DIMENSIONS				BOWL DIMENSIONS				BOWL DEPTH	
		Left to Right		Front to Back		Left to Right	Front to Back				
Single bowl wheelchair accessible sink	20	16 1/4"	41cm	20 5/8"	52cm	14"	36cm	16"	41cm	5"	13cm

**OPTIONS** (check the option(s) you would like and indicate your choices above)

- A** (18 Gauge)
- B** (Mirror Ledge)
- D** (1 1/2" Strainer)
- E** (Centre Rear Waste)
- F** (Left Rear Waste)
- G** (Right Rear Waste)
- H** (Stand pipe overflow)
- I** (8" Depth)
- J** (10" Depth)
- K** (12" Depth)
- OV** (Overflow Assembly)
- VP** (Vandal Resistant Strainer)

**HOLE DRILLINGS**

Hole Configuration:	#s to Enter Above	Check here for hole selection
1 hole	<input type="text" value="1"/> <input type="text" value="0"/>	<input type="checkbox"/>
2 hole, 4" (10cm) centre	<input type="text" value="2"/> <input type="text" value="4"/>	<input type="checkbox"/>
3 hole, 4" (10cm) centre	<input type="text" value="3"/> <input type="text" value="4"/>	<input type="checkbox"/>
2 hole, 8" (20cm) centre	<input type="text" value="2"/> <input type="text" value="8"/>	<input type="checkbox"/>
3 hole, 8" (20cm) centre	<input type="text" value="3"/> <input type="text" value="8"/>	<input type="checkbox"/>
Special Holes*	<input type="text" value="S"/> <input type="text" value="H"/>	<input type="checkbox"/>

\*Drawings must be included

Engineer's Approval

\_\_\_\_\_  
 \_\_\_\_\_

Novanni has a policy of continuous improvement. All product specifications may change without notice.



Project Number: \_\_\_\_\_  
 Project Name: \_\_\_\_\_

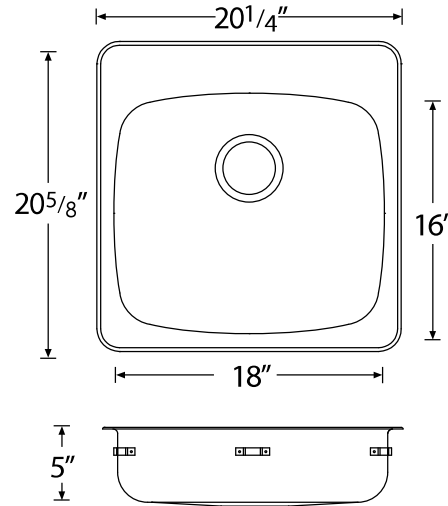
**20 1/4" x 20 5/8"**



Fixture #  
 \_\_\_\_\_

Model 4203, **Single Bowl Wheelchair Accessible Sink**, 300 Series stainless steel, 20 gauge (18 gauge available as option A), Off the bowl clamp system, self rimming, SynkSeal™ foam in place gasket installed, exposed surfaces finished to a satin finish, 18-8 stainless steel, 3 1/2" or 1 1/2" waste assembly included.

Outside dimension: 20 1/4" x 20 5/8" (51cm x 52cm)  
 Bowl depth: 5" (13cm)



NOTES:

\_\_\_\_\_  
 \_\_\_\_\_  
 \_\_\_\_\_  
 \_\_\_\_\_

BOWL STYLE	GAUGE	OVERALL DIMENSIONS				BOWL DIMENSIONS				BOWL DEPTH	
		Left to Right		Front to Back		Left to Right		Front to Back			
Single bowl wheelchair accessible sink	20	20 1/4"	51cm	20 5/8"	52cm	18"	46cm	16"	41cm	5"	13cm

**OPTIONS** (check the option(s) you would like and indicate your choices above)

- |  |  |  |
|--|--|--|
| <input type="checkbox"/> <b>A</b> (18 Gauge)                     | <input type="checkbox"/> <b>F</b> (Left Rear Waste)                | <input checked="" type="checkbox"/> <b>J</b> (10" Depth)       |
| <input type="checkbox"/> <b>B</b> (Mirror Ledge)                 | <input type="checkbox"/> <b>G</b> (Right Rear Waste)               | <input checked="" type="checkbox"/> <b>K</b> (12" Depth)       |
| <input type="checkbox"/> <b>D</b> (1 1/2" Strainer)              | <input checked="" type="checkbox"/> <b>H</b> (Stand pipe overflow) | <input type="checkbox"/> <b>OV</b> (Overflow Assembly)         |
| <input checked="" type="checkbox"/> <b>E</b> (Centre Rear Waste) | <input checked="" type="checkbox"/> <b>I</b> (8" Depth)            | <input type="checkbox"/> <b>VP</b> (Vandal Resistant Strainer) |

**HOLE DRILLINGS**

Hole Configuration:	#s to Enter Above	Check here for hole selection
1 hole	<input type="text" value="1"/> <input type="text" value="0"/>	<input type="checkbox"/>
2 hole, 4" (10cm) centre	<input type="text" value="2"/> <input type="text" value="4"/>	<input type="checkbox"/>
3 hole, 4" (10cm) centre	<input type="text" value="3"/> <input type="text" value="4"/>	<input type="checkbox"/>
2 hole, 8" (20cm) centre	<input type="text" value="2"/> <input type="text" value="8"/>	<input type="checkbox"/>
3 hole, 8" (20cm) centre	<input type="text" value="3"/> <input type="text" value="8"/>	<input type="checkbox"/>
Special Holes*	<input type="text" value="S"/> <input type="text" value="H"/>	<input type="checkbox"/>

\*Drawings must be included

Engineer's Approval

\_\_\_\_\_  
 \_\_\_\_\_

Novanni has a policy of continuous improvement. All product specifications may change without notice.



Project Number: \_\_\_\_\_  
 Project Name: \_\_\_\_\_

**31 1/8" x 20 5/8"**



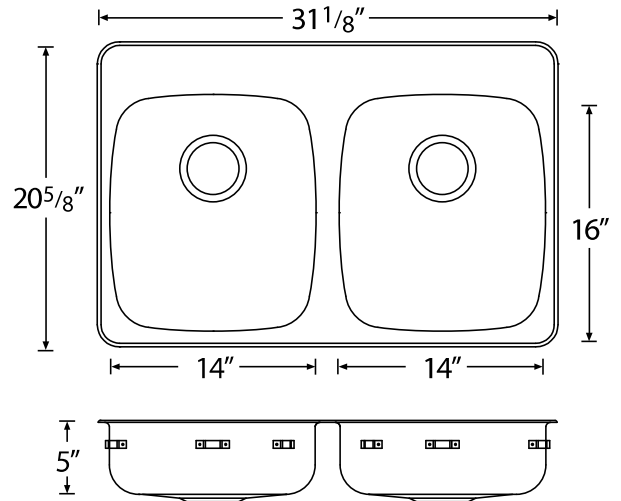
Fixture #  
 \_\_\_\_\_

Model 4205, **Double Bowl Wheelchair Accessible**, 300 Series stainless steel, 20 gauge (18 gauge available as option A), Off the bowl clamp system, self rimming, SynkSeal™ foam in place gasket installed, exposed surfaces finished to a satin finish, 18-8 stainless steel, 3 1/2" or 1 1/2" waste assembly included.

Outside dimension: 31 1/8" x 20 5/8" (79cm x 52cm)  
 Bowl depth: 5" (13cm)

NOTES:

\_\_\_\_\_  
 \_\_\_\_\_  
 \_\_\_\_\_  
 \_\_\_\_\_



BOWL STYLE	GAUGE	OVERALL DIMENSIONS		BOWL DIMENSIONS				BOWL DEPTH			
		Left to Right	Front to Back	Left to Right	Front to Back	Left to Right	Front to Back	5"	13cm		
Double Bowl Wheelchair Accessible	20	31 1/8"	79cm	20 5/8"	52cm	14"	36cm	16"	41cm	5"	13cm

**OPTIONS** (check the option(s) you would like and indicate your choices above)

- |  |  |  |
|--|--|--|
| <input type="checkbox"/> <b>A</b> (18 Gauge)                     | <input type="checkbox"/> <b>F</b> (Left Rear Waste)                | <input checked="" type="checkbox"/> <b>J</b> (10" Depth)       |
| <input type="checkbox"/> <b>B</b> (Mirror Ledge)                 | <input type="checkbox"/> <b>G</b> (Right Rear Waste)               | <input checked="" type="checkbox"/> <b>K</b> (12" Depth)       |
| <input type="checkbox"/> <b>D</b> (1 1/2" Strainer)              | <input checked="" type="checkbox"/> <b>H</b> (Stand pipe overflow) | <input type="checkbox"/> <b>OV</b> (Overflow Assembly)         |
| <input checked="" type="checkbox"/> <b>E</b> (Centre Rear Waste) | <input checked="" type="checkbox"/> <b>I</b> (8" Depth)            | <input type="checkbox"/> <b>VP</b> (Vandal Resistant Strainer) |

**HOLE DRILLINGS**

Hole Configuration:	#s to Enter Above	Check here for hole selection
1 hole	<input type="text" value="1"/> <input type="text" value="0"/>	<input type="checkbox"/>
2 hole, 4" (10cm) centre	<input type="text" value="2"/> <input type="text" value="4"/>	<input type="checkbox"/>
3 hole, 4" (10cm) centre	<input type="text" value="3"/> <input type="text" value="4"/>	<input type="checkbox"/>
2 hole, 8" (20cm) centre	<input type="text" value="2"/> <input type="text" value="8"/>	<input type="checkbox"/>
3 hole, 8" (20cm) centre	<input type="text" value="3"/> <input type="text" value="8"/>	<input type="checkbox"/>
Special Holes*	<input type="text" value="S"/> <input type="text" value="H"/>	<input type="checkbox"/>

\*Drawings must be included

Engineer's Approval

\_\_\_\_\_  
 \_\_\_\_\_

Novanni has a policy of continuous improvement. All product specifications may change without notice.



21" x 23"

Fixture #



Project Number: \_\_\_\_\_

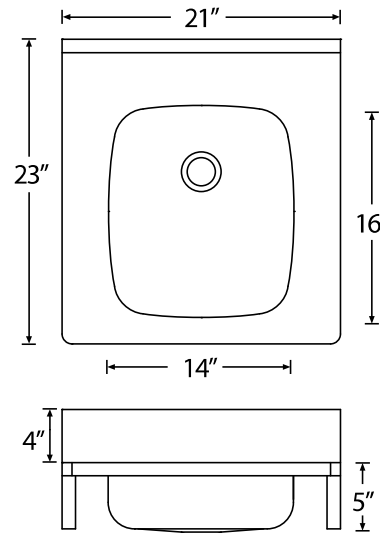
Project Name: \_\_\_\_\_

**Model 4207, Single Wallhung Basin Wheelchair**

**Accessible**, 300 Series stainless steel, 18 gauge, SynkSeal™ foam in place gasket installed, exposed surfaces finished to a satin finish, 18-8 stainless steel, wall hanger bracket included, 1 1/2" waste assembly included.

Outside dimension: 21" x 23" (53cm x 58cm)

Bowl depth: 5" (13cm)



NOTES:

\_\_\_\_\_  
 \_\_\_\_\_  
 \_\_\_\_\_  
 \_\_\_\_\_

BOWL STYLE	GAUGE	OVERALL DIMENSIONS				BOWL DIMENSIONS				BOWL DEPTH	
		Left to Right		Front to Back		Left to Right		Front to Back			
Single Wallhung Basin	18	21"	53cm	23"	58cm	14"	36cm	16"	41cm	5"	13cm

**OPTIONS** (check the option(s) you would like and indicate your choices above)

- |  |   |  |
|--|---|--|
| <input checked="" type="checkbox"/> <b>A</b> (18 Gauge)          | <input type="checkbox"/> <b>F</b> (Left Rear Waste)     | <input type="checkbox"/> <b>J</b> (10" Depth)                  |
| <input type="checkbox"/> <b>B</b> (Mirror Ledge)                 | <input type="checkbox"/> <b>G</b> (Right Rear Waste)    | <input type="checkbox"/> <b>K</b> (12" Depth)                  |
| <input checked="" type="checkbox"/> <b>D</b> (1 1/2" Strainer)   | <input type="checkbox"/> <b>H</b> (Stand pipe overflow) | <input type="checkbox"/> <b>OV</b> (Overflow Assembly)         |
| <input checked="" type="checkbox"/> <b>E</b> (Centre Rear Waste) | <input type="checkbox"/> <b>I</b> (8" Depth)            | <input type="checkbox"/> <b>VP</b> (Vandal Resistant Strainer) |

**HOLE DRILLINGS**

Hole Configuration:	#s to Enter Above	Check here for hole selection
1 hole	<input type="text" value="1"/> <input type="text" value="0"/>	<input type="checkbox"/>
2 hole, 4" (10cm) centre	<input type="text" value="2"/> <input type="text" value="4"/>	<input type="checkbox"/>
3 hole, 4" (10cm) centre	<input type="text" value="3"/> <input type="text" value="4"/>	<input type="checkbox"/>
2 hole, 8" (20cm) centre	<input type="text" value="2"/> <input type="text" value="8"/>	<input type="checkbox"/>
3 hole, 8" (20cm) centre	<input type="text" value="3"/> <input type="text" value="8"/>	<input type="checkbox"/>
Special Holes*	<input type="text" value="S"/> <input type="text" value="H"/>	<input type="checkbox"/>

\*Drawings must be included

Engineer's Approval

\_\_\_\_\_  
 \_\_\_\_\_

Novanni has a policy of continuous improvement. All product specifications may change without notice.