

See Hole Drillings Below for Options

Fixture #

**SPECIFICATIONS:**

Double bowl scullery sink with double integral drainboards, radius covered bowl corners, exposed surfaces finished to a satin finish. Adjustable bullet feet. Integral backsplash. Three rolled edges.

**OVERALL DIMENSIONS:**

Left to Right: 80" (203cm)  
 Front to Back: 27" (69cm)  
 Backsplash: 8" (20cm)

**BOWL DIMENSIONS:**

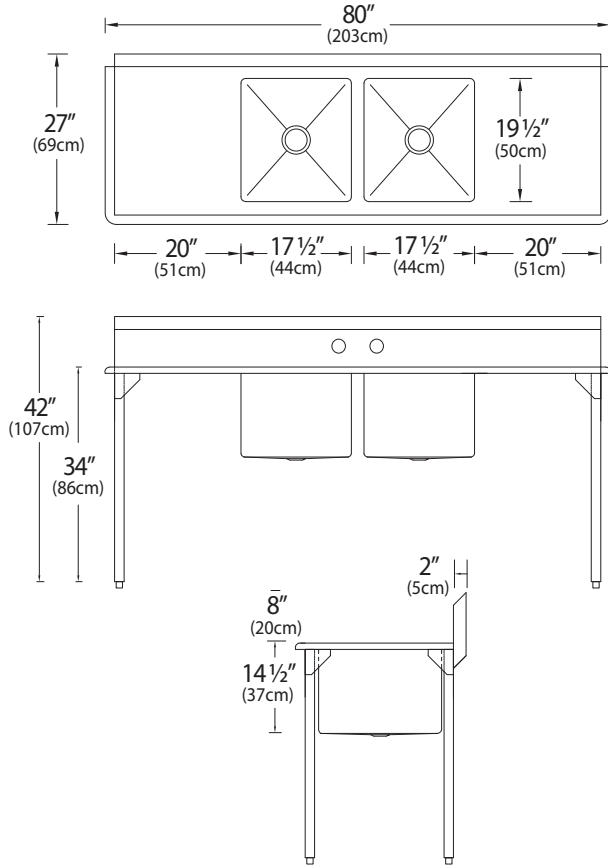
Left to Right: 17 1/2" (44cm)  
 Front to Back: 19 1/2" (50cm)  
 Bowl depth: 14 1/2" (37cm)

**MATERIAL:**

16 gauge, 18-10 stainless steel  
 304 or 316 Series

**WASTE:**

3 1/2" basket strainer assemblies with tailpieces included  
 Location: Center



**PROJECT INFORMATION:**

Item Location: \_\_\_\_\_  
 Project Number: \_\_\_\_\_  
 Project Name: \_\_\_\_\_  
 Quote Number: \_\_\_\_\_  
 Faucet Model: \_\_\_\_\_  
 Notes: \_\_\_\_\_

HOLE DRILLINGS			
Hole Configuration	# to enter above	Check hole selection	
2 hole, 8" (20cm) centre	2 8	<input type="checkbox"/>	
† Special Holes (drawing must be included)	S H	<input type="checkbox"/>	
† Indicates custom product and is Non-returnable			

Engineer's Approval

Novanni has a policy of continuous improvement. All product specifications may change without notice.